



FEATURES

Impeller: Cast iron, semi-open, non-clog with pump-out vanes for mechanical seal protection. Balanced for smooth operation. Silicon bronze impeller available as an option.

Casing: Cast iron volute type for maximum efficiency. 2" NPT discharge.

Mechanical Seal: Silicon Carbide vs. Silicon Carbide sealing faces. Stainless steel metal parts, BUNA-N elastomers.

Shaft: Corrosion-resistant, stainless steel. Threaded design. Locknut on all models to guard against component damage on accidental reverse rotation.

Fasteners: 300 series stainless steel.

Temperature rating 200°F for continuous operation when fully submerged.

Capable of running dry without damage to components.

WEHT Series

Model 3885HT

SUBMERSIBLE HIGH TEMPERATURE SUMP PUMPS

APPLICATIONS

Specifically designed for the following uses:

- Boiler blow down, high temp condensate

SPECIFICATIONS

Pump

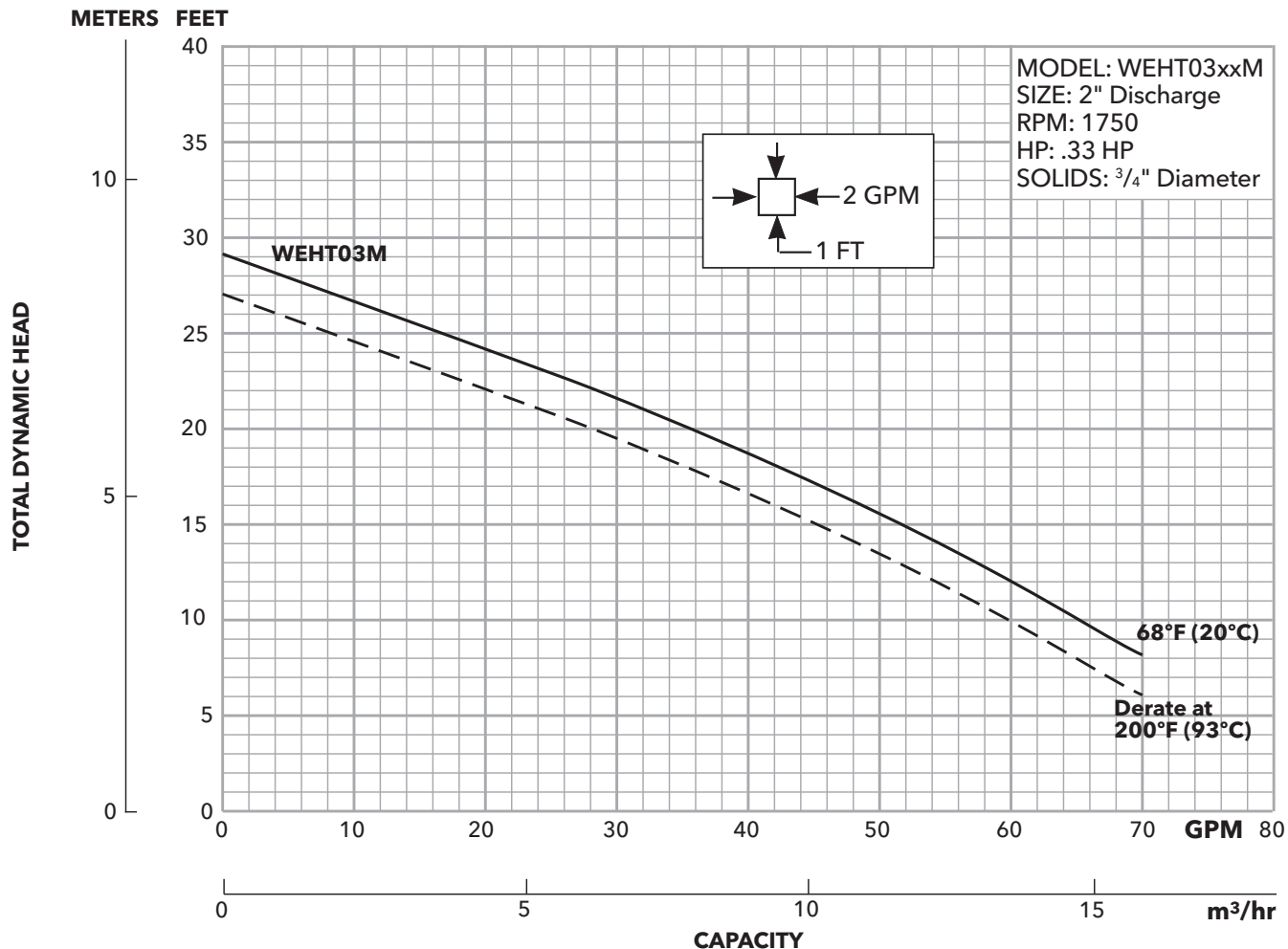
- Solids handling capabilities: $\frac{3}{4}$ " maximum
- Discharge size: 2" NPT
- Capacities: up to 70 GPM
- Total heads: up to 27 feet TDH
- Temperature: 200°F (93°C) continuous, fully submerged
- See order numbers on reverse side for specific HP, voltage and phase.
- Available with 1½" connection and high temp float if required. See model chart on page 3.

MOTORS

- Fully submerged in high-grade turbine oil for lubrication and efficient heat transfer.
- Class B insulation

Single phase (60 Hz):

- Capacitor start motors for maximum starting torque.
- Built-in overload with automatic reset.
- SJOOW severe duty oil and water resistant power cords, rated for high temperature.
- Models have NEMA three prong grounding plugs.

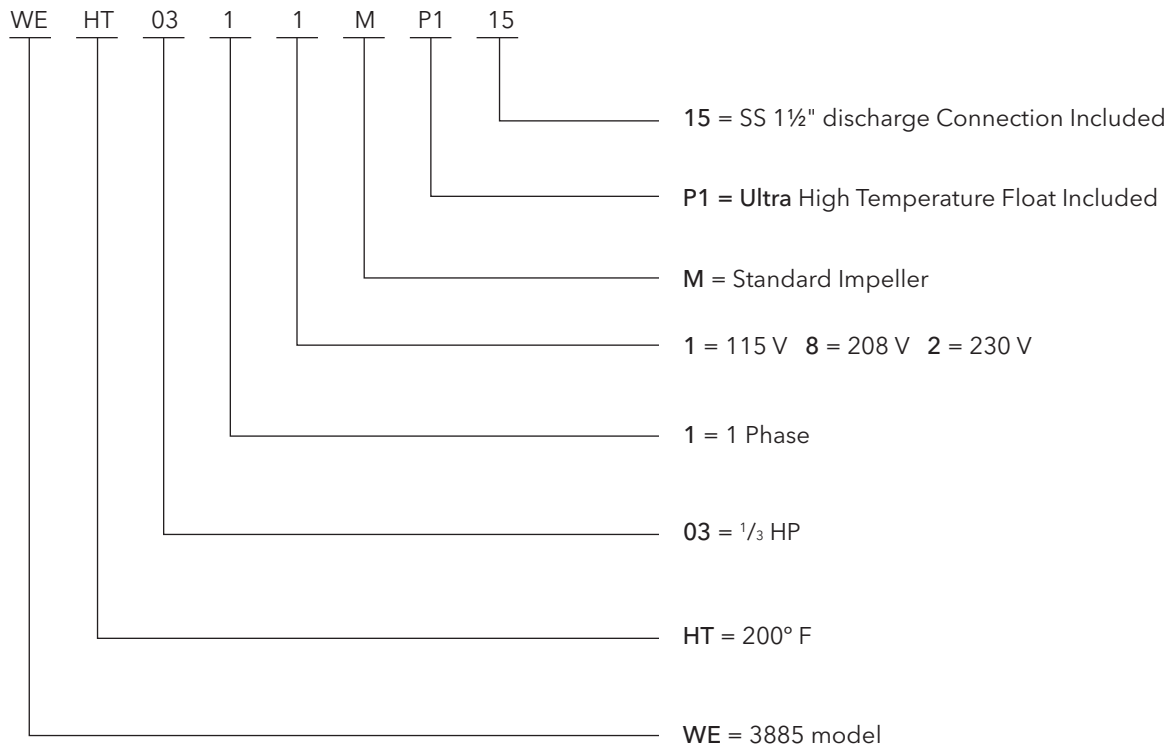


MODELS

| Order Number | HP | Phase | Volts | RPM | Impeller Dia. (In.) | Max. Amps | LRA | KVA Code | Full Load Motor Eff. | Resistance | | Wt. (Lbs.) | Operation | Discharge |
|---------------|-----|-------|-------|------|---------------------|-----------|------|----------|----------------------|------------|-----------|------------|--------------------------|-----------|
| | | | | | | | | | | Start | Line-Line | | | |
| WEHT0311M | 1/3 | 1 | 115 | 1750 | 5.38" | 12 | 31.1 | J | 55 | 9.3 | 1.4 | 56 | Manual | 2" |
| WEHT0318M | | | 208 | | | 7.3 | 19.5 | K | 51 | 9.1 | 4.2 | | | |
| WEHT0312M | | | 230 | | | 6.1 | 16.5 | J | 54 | 11.7 | 5.6 | | | |
| WEHT0311M15 | | | 115 | | | 12 | 31.1 | J | 55 | 9.3 | 1.4 | | | |
| WEHT0318M15 | | | 208 | | | 7.3 | 19.5 | K | 51 | 9.1 | 4.2 | | | |
| WEHT0312M15 | | | 230 | | | 6.1 | 16.5 | J | 54 | 11.7 | 5.6 | | | |
| WEHT0311MP1 | | | 115 | | | 12 | 31.1 | J | 55 | 9.3 | 1.4 | | Automatic Float Included | 2" |
| WEHT0318MP1 | | | 208 | | | 7.3 | 19.5 | K | 51 | 9.1 | 4.2 | | | |
| WEHT0312MP1 | | | 230 | | | 6.1 | 16.5 | J | 54 | 11.7 | 5.6 | | | |
| WEHT0311MP115 | | | 115 | | | 12 | 31.1 | J | 55 | 9.3 | 1.4 | | | |
| WEHT0318MP115 | | | 208 | | | 7.3 | 19.5 | K | 51 | 9.1 | 4.2 | | | |
| WEHT0312MP115 | | | 230 | | | 6.1 | 16.5 | J | 54 | 11.7 | 5.6 | | | |

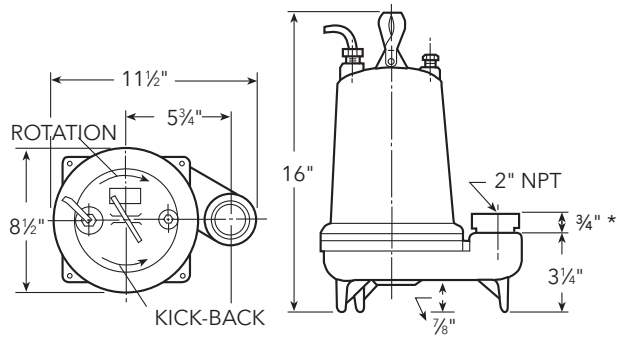
Accessory part numbers: A2HT31 - 115V and A2HT32 - 208 and 230V (ultra high-temperature float switch)

NOMENCLATURE



DIMENSIONS

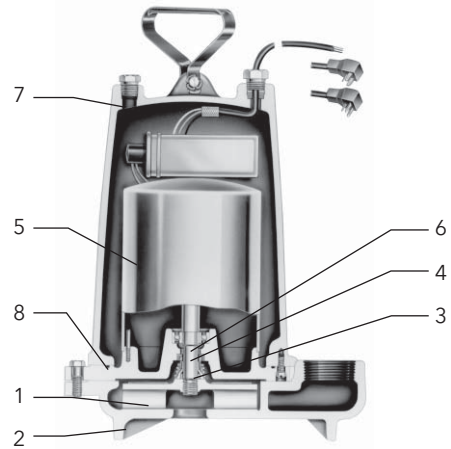
(All dimensions are in inches. Do not use for construction purposes.)



* 2" x 1 1/2" adapter if used

COMPONENTS

| Item No. | Description |
|----------|-----------------|
| 1 | Impeller |
| 2 | Casing |
| 3 | Mechanical Seal |
| 4 | Motor Shaft |
| 5 | Motor |
| 6 | Ball Bearings |
| 7 | Power Cable |
| 8 | Casing O-Ring |



xylem
Let's Solve Water

Xylem Inc.
2881 East Bayard Street Ext., Suite A
Seneca Falls, NY 13148
Phone: (866) 325-4210
Fax: (888) 322-5877
www.gouldswatertechnology.com

Goulds is a registered trademark of Goulds Pumps, Inc. and is used under license.
© 2015 Xylem Inc. B3885HT R4 July 2015