



**NPV**



**SHV**

# Model SHV and NPV

**INSTALLATION, OPERATION AND MAINTENANCE INSTRUCTIONS**

## Table of Contents

<b>SUBJECT</b>	<b>PAGE</b>
Safety Instructions .....	3
Description and Specifications .....	3
Engineering Data.....	3
Installation .....	3
Suction Piping .....	3
Discharge Piping.....	3
Wiring and Grounding .....	4
Rotation .....	4
Operation.....	4
Maintenance.....	4
NPV Disassembly .....	4
NPV Reassembly .....	5
SHV Disassembly .....	5
SHV Reassembly .....	5
Repair Parts.....	7
NPV Pump – Dimensions, Weights and Specifications.....	9
NPV Optional Mounting Accessories.....	9
SHV Pump – Dimensions, Weights and Specifications.....	10
SHV Optional Mounting Accessories.....	11
Troubleshooting .....	12
Limited Warranty .....	12
Declaration of Conformity .....	31

### Owner's Information

Pump Model Number: \_\_\_\_\_

Pump Serial Number: \_\_\_\_\_

Dealer: \_\_\_\_\_

Dealer Phone No.: \_\_\_\_\_

Date of Purchase: \_\_\_\_\_

Date of Installation: \_\_\_\_\_

Current Readings at Startup:

1 Ø	3 Ø	L1-2	L2-3	L3-1
Amps: _____	Amps: _____	_____	_____	_____
Volts: _____	Volts: _____	_____	_____	_____

## SAFETY INSTRUCTIONS

**TO AVOID SERIOUS OR FATAL PERSONAL INJURY OR MAJOR PROPERTY DAMAGE, READ AND FOLLOW ALL SAFETY INSTRUCTIONS IN MANUAL AND ON PUMP.**

**THIS MANUAL IS INTENDED TO ASSIST IN THE INSTALLATION AND OPERATION OF THIS UNIT AND MUST BE KEPT WITH THE PUMP.**



This is a SAFETY ALERT SYMBOL. When you see this symbol on the pump or in the manual, look for one of the following signal words and be alert to the potential for personal injury or property damage.

**▲ DANGER** Warns of hazards that **WILL** cause serious personal injury, death or major property damage.

**▲ WARNING** Warns of hazards that **CAN** cause serious personal injury, death or major property damage.

**▲ CAUTION** Warns of hazards that **CAN** cause personal injury or property damage.

**NOTICE: INDICATES SPECIAL INSTRUCTIONS WHICH ARE VERY IMPORTANT AND MUST BE FOLLOWED.**

**THOROUGHLY REVIEW ALL INSTRUCTIONS AND WARNINGS PRIOR TO PERFORMING ANY WORK ON THIS PUMP.**

**MAINTAIN ALL SAFETY DECALS.**

### **▲ WARNING**



Hazardous fluids can cause fire, burns or death.

**UNIT NOT DESIGNED FOR USE WITH HAZARDOUS LIQUIDS OR FLAMMABLE GASES. THESE FLUIDS MAY BE PRESENT IN CONTAINMENT AREAS.**

**NOTICE: INSPECT UNIT FOR DAMAGE AND REPORT ALL DAMAGE TO THE CARRIER OR DEALER IMMEDIATELY.**

## DESCRIPTION and SPECIFICATIONS:

The NPV and SHV Series pumps are vertically immersed, end-suction designed pumps for general liquid transfer service, machine tool coolant, parts washer, filtration, waste treatment and OEM applications. Liquid-end construction is all AISI 300 series stainless steel.

These pumps are not designed for applications requiring ANSI, FDA or NSF ratings and are not recommended for use in highly abrasive services such as grinding.

Impellers are available in enclosed and open configurations depending on the model. Enclosed impeller versions of the NPV are fitted with a diffuser for high efficiency and for negligible radial shaft loading.

NPV units have NEMA 56J motors with C-face mounting and threaded shaft extensions. SHV units have NEMA standard JM frame motors.

## ENGINEERING DATA

Maximum Liquid Temperature: 250° F (120° C)

Maximum Working Pressure: NPV 125 psi (9 bars)  
SHV 230 psi (15 bars)

Starts per hour: 20 - Evenly distributed

## INSTALLATION

**NOTICE: UNIT CAN BE INSTALLED IN VERTICAL ORIENTATION ONLY. DO NOT INSTALL WITH MOTOR BELOW PUMP.**

Unit may be mounted directly to a tank top or the optional Goulds Water Technology mounting plate may be utilized.

Minimum and maximum liquid levels must be maintained for proper pump operation. Refer to Dimensions page for details.

Allow adequate space for servicing and ventilation. Protect from freezing or flooding.

## PIPING

Piping should be no smaller than the pump discharge and suction connections and kept as short as possible, avoiding unnecessary fittings to minimize friction losses.

All piping **MUST** be independently supported and **MUST NOT** place any piping loads on the pump.

**NOTICE: DO NOT FORCE PIPING INTO PLACE AT PUMP SUCTION AND DISCHARGE CONNECTIONS.**

All joints **MUST** be air tight. Use 3-4 wraps of Teflon™ tape to seal threaded connections on NPV Series.

SHV Series pumps use standard ANSI 150# raised face flanges.

### PIPING - SUCTION

Suction piping is not required for typical installation of unit.

Suction intake should be above the minimum distance from tank bottom: NPV = 2", SHV = 4". Tank must be kept free of debris.

Use a foot valve only when necessary to hold prime during intermittent service where tank liquid level does not return to minimum depth before pump is re-started. Refer to dimensions page for details.

**NOTICE: IN ALL CASES, THE BEARING MUST BE SUBMERGED IN LIQUID AT START-UP.**

To avoid air pockets, no part of suction piping should be higher than pump suction connections.

### PIPING - DISCHARGE

Install a check valve suitable to handle the flow, liquids and to prevent backflow. After the check valve, install an appropriately sized gate valve to be used to regulate the pump capacity, pump inspection and for maintenance.

## WIRING and GROUNDING



⚠ Install, ground and wire according to local and National Electrical Code requirements.

⚠ Install an all leg disconnect switch near the pump.

⚠ Disconnect and lockout electrical power before installing or servicing pump.

⚠ Electrical supply **MUST** match pumps name plate specifications. Incorrect voltage can cause fire, damage to the motor and voids warranty.

⚠ Motors not protected **MUST** be provided with contactors and thermal overloads for single phase motors, or starters with heaters for three phase motors. See motor nameplate.

Use only stranded copper wire to motor and ground. The ground wire **MUST** be at a least as large as the wire to the motor. Wires should be color coded for ease of maintenance.

Follow motor manufacturer's wiring diagram on the motor nameplate or terminal cover carefully.



**FAILURE TO PERMANENTLY GROUND THE PUMP, MOTOR AND CONTROLS BEFORE CONNECTING TO ELECTRICAL POWER CAN CAUSE SHOCK, BURNS OR DEATH.**

## ROTATION

**NOTICE: INCORRECT ROTATION MAY CAUSE DAMAGE TO THE PUMP AND VOIDS THE WARRANTY.**

Correct rotation is right-hand, **CLOCKWISE** when viewed from the motor end. On tank mounted units, remove motor end plug or cover, turn power on and off quickly to observe rotation.

To reverse three phase motor rotation, interchange any two power supply leads.

## OPERATION



**SPLASHING OR IMMERSING OPEN DRIP PROOF MOTORS IN FLUIDS CAN CAUSE FIRE, SHOCK, BURNS OR DEATH.**

**NOTICE: PUMP MUST BE FULLY PRIMED BEFORE OPERATION. DO NOT RUN PUMP DRY OR PUMP BEARING DAMAGE WILL RESULT.**

After stabilizing the system at normal operating conditions, check the piping. If necessary, adjust the pipe supports.

## MAINTENANCE



**FAILURE TO DISCONNECT AND LOCKOUT ELECTRICAL POWER BEFORE ATTEMPTING ANY MAINTENANCE CAN CAUSE SHOCK, BURNS OR DEATH.**

Motors have permanently lubricated bearings. No lubrication is possible or necessary. Follow the motor manufacturer's recommendations for maintenance.

If pump performance degrades due to excessive leakage, inspect pump bearing, bushing and shaft for excessive wear. Replace as necessary.

### SEASONAL SERVICE:

To **REMOVE** pump from service, drain all pumpage from pump and piping.

To **RETURN** pump to service, replace all plugs and piping using Teflon™ tape or equivalent on male threads for the NPV Series.

Refer to "OPERATION" section of manual.

### NPV SERIES DISASSEMBLY

Follow **ALL** warnings and instructions in the "MAINTENANCE" section of this manual.

While complete disassembly of the unit will be described, it is recommended that you proceed only as far as required to perform the maintenance needed.

Remove the mounting plate, or clamp, from pump.

### LIQUID END:

1. Remove casing bolts (5).
2. Remove casing (1, 2) and casing O-ring (4) from pump mounting plate (7).
3. Remove guidevane (3) and O-ring (21) on model SL only.
4. Restrain shaft (12) from rotation by applying a 3/16" wrench to shaft flats through holes in the support tube (11).
5. Remove impeller nut (20) by turning **COUNTER-CLOCKWISE**. Nut may need to be heated with a torch to remove.

**NOTICE: EXERCISE CAUTION IN HANDLING HOT IMPELLER NUT.**

6. Remove impeller (16, 17) by turning **COUNTER-CLOCKWISE** when looking at the front of the pump. Protect hand with a rag or glove.

**NOTICE: SUPPORT TUBE HAS LEFT HAND THREADS.**

7. Remove pump plate from support tube by turning plate **CLOCKWISE** when viewing from the front of the pump.
8. Remove snap ring (13) from pump plate and pull out restricting bushing (14).
9. Press out pump bearing (15A, 15B) with a bearing or arbor press.
10. Remove support tube from motor plate (9) by turning tube **CLOCKWISE** when viewing from the front of the pump.
11. Remove motor end plug, or cover, to expose screwdriver slot, or flats, on end of the motor shaft.
12. Restrain motor shaft with appropriate tool and remove shaft extension (12) from motor shaft, by turning it **COUNTERCLOCKWISE**. Shaft extension may need to be heated with a torch to remove. Apply heat to the shaft extension, not to motor shaft.

**NOTICE: EXERCISE CAUTION IN HANDLING HOT SHAFT EXTENSION.**

**NOTICE: INSPECT BUSHING, PUMP BEARING AND SHAFT EXTENSION FOR EXCESSIVE WEAR. REPLACE AS NECESSARY.**

13. Remove motor bolts (8) and remove motor plate from motor.
14. Remove U-cup seal (23) from motor plate and discard.

### **NPV SERIES REASSEMBLY**

All parts should be cleaned before assembly.

**NOTICE: ALL O-RINGS SHOULD BE REPLACED AFTER ANY DISASSEMBLY OF UNIT.**

1. Check motor shaft for run out. Maximum permissible is .002" TIR.
2. Install new U-cup seal in motor plate and install motor plate on motor, torquing bolts to 15 lbs. ft.
3. Restrain motor shaft with appropriate tool. Apply Loctite 7649 to shaft threads and allow to dry. Apply LOCTITE® #243 to motor shaft threads and install shaft extension by turning **CLOCKWISE**.
4. Apply LOCTITE® #243 to support tube threads. Attach support tube to motor plate turning **COUNTER-CLOCKWISE**.
5. Replace pump bearing, bushing and snap ring in pump plate. Use LOCTITE® #243 when installing bushing in pump plate.
6. Install pump plate to support tube turning **COUNTER-CLOCKWISE**.
7. While holding shaft from rotation with a 1/16" wrench, install impeller by turning it **CLOCKWISE**, insuring that the impeller seats securely against the shaft.
8. Apply LOCTITE® #243 to end of shaft and install impeller nut, turning **CLOCKWISE**.
9. Install guidevane and guidevane O-ring on SL models only.

**NOTICE: DO NOT LUBRICATE GUIDEVANE O-RING. ENSURE IT IS NOT PINCHED BY THE IMPELLER ON REASSEMBLY.**

10. Install new casing O-ring and casing, torquing casing bolts to 50 lbs. in.
11. Check reassembled unit for binding. If binding occurs, realign casing over impeller eye.
12. Assembly is complete.

### **SHV SERIES DISASSEMBLY**

### **SHV SERIES DISASSEMBLY**

Follow **ALL** warnings and instructions in the "MAINTENANCE" section of this manual.

While complete disassembly of the unit will be described, it is recommended that you proceed only as far as required to perform the maintenance needed.

Remove mounting plate bolts from tank top.

Lift pump out of the tank with an adequately sized nylon lifting strap or chain attached to the motor.

Remove the mounting plate and motor leg from pump and motor.

### **LIQUID END:**

**NOTE: PRIOR TO DISASSEMBLY PLEASE NOTE RELATIONSHIP OF PUMP CASING, PUMP PLATE, MOTOR PLATE AND SUPPORT TUBE. WHEN PUMP IS REASSEMBLED THE BOLT CIRCLES WILL HAVE TO BE LINED UP IN THE SAME WAY TO INSURE THE CASING DISCHARGE IS DIRECTLY OPPOSITE THE MOTOR FEET. IT MAY BE HELPFUL TO MARK A LINE ON THESE PARTS PRIOR TO DISASSEMBLY.**

1. Remove casing (22) and casing O-ring (21) from pump mounting plate (12).
2. While restraining impeller from rotating remove impeller bolt (20) and impeller washer (19) by turning C.C.W.
3. Remove impeller (18) and key (17) from shaft.
4. Remove the three bolts which connect the tube support (10) to the pump mounting plate (12).
5. Grasp the pump mounting plate and carefully slide it out from the tube support and set it aside.
6. Remove snap ring (15) from pump mounting plate and pull out bushing (14).
7. Carefully press out pump bearing (13A, 13B) with a bearing or arbor press.
8. Remove shaft sleeve (16) from shaft extension (9).
9. Remove the three bolts (11) that connect the tube support to the motor plate and then remove the tube support from the motor plate.
10. Using (2) 1½ inch open end wrenches on the flats of the shaft extension and the coupling (6), remove the shaft by turning it C.C.W.
11. Remove coupling bolt (8) and coupling washer from the motor shaft with a socket and extension.
12. Remove coupling and key (5) from the motor shaft.
13. Remove motor bolts (11) from motor mounting plate (3).
14. Remove motor mounting plate from motor.
15. Remove U-cup seal (2) from motor mounting plate.

**NOTICE: INSPECT BUSHING, PUMP BEARING AND SHAFT SLEEVE FOR EXCESSIVE WEAR. REPLACE AS NECESSARY.**

### **SHV SERIES REASSEMBLY**

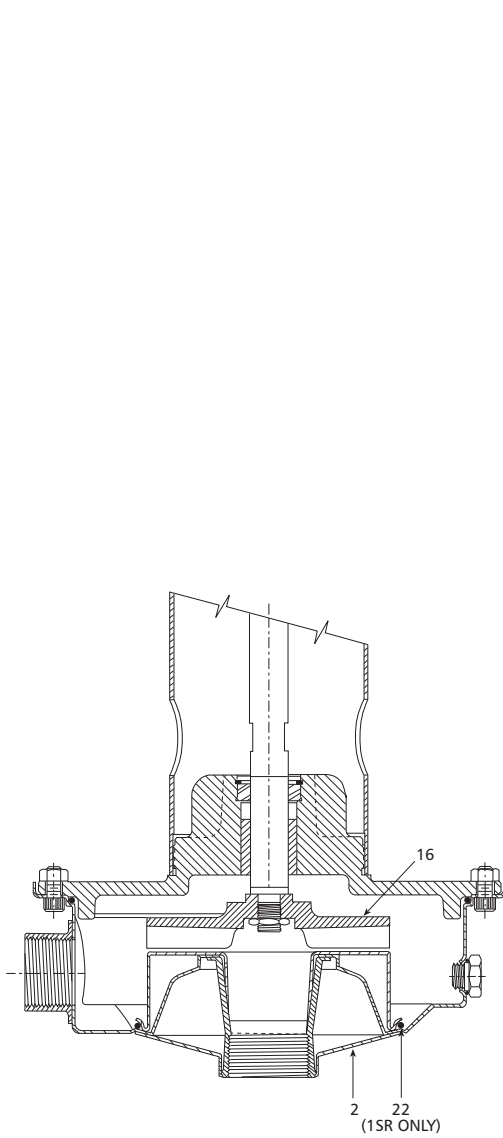
All parts should be cleaned before assembly.

**NOTICE: ALL O-RINGS SHOULD BE REPLACED AFTER ANY DISASSEMBLY OF UNIT.**

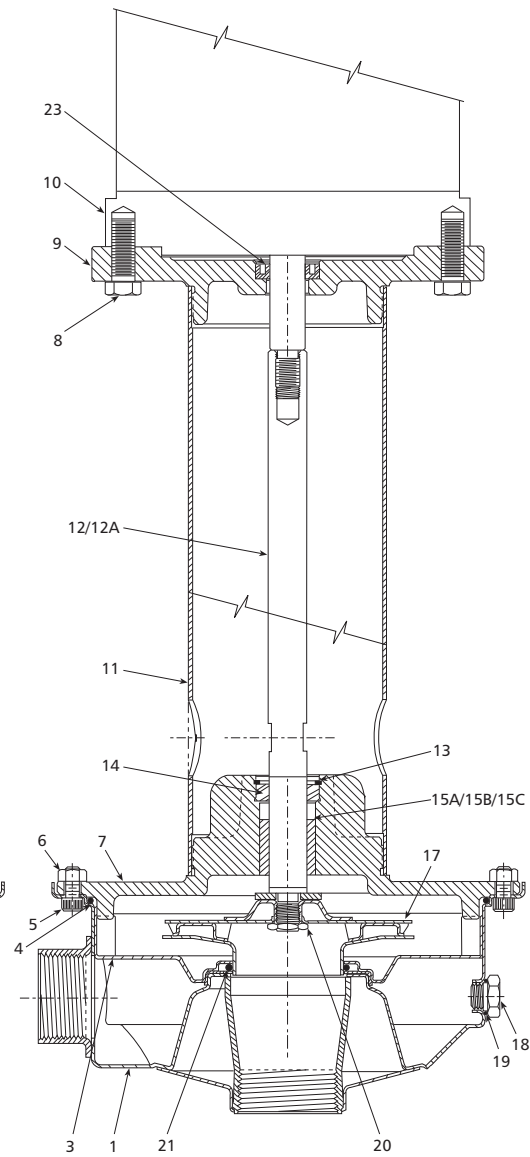
1. Check motor shaft to the following dimensions. Reference NEMA standards for proper measurement methods.
2. Maximum shaft runout - .002 inches.
3. Maximum eccentricity of mounting rabbet - .004 inches.
4. Maximum face runout - .004 inches.
5. Install new U-cup seal in motor mounting plate and then install motor plate on motor with 4 bolts.
6. Place key in motor shaft and slide coupling on motor shaft. Install bolt with washer and torque to 17 ft. lbs.

**NOTE: INSURE U-CUP SEAL REMAINS IN ITS PROPER POSITION DURING COUPLING INSTALLATION.**

7. Place 2 or 3 drops of LOCTITE® #271 on shaft extension threads. Screw shaft extension into coupling and tighten securely with open end wrenches.
8. Place tube support over motor mounting plate, insert 3 bolts and tighten to 17 ft. lbs. Apply 1 drop of LOCTITE® #243 to each bolt prior to tightening.
9. Press bearing into pump mounting plate.
10. Install restricting bushing with snap ring to pump mounting plate.
11. Carefully position pump mounting plate assembly and slide into open end of pump support.
12. Insert 3 bolts and tighten to 17 ft. lbs. Apply 1 drop of LOCTITE® #243 to each bolt prior to tightening.
13. Apply 1 drop of LOCTITE® #271 to inside of shaft sleeve and then slide sleeve over shaft extension.
14. Place key in shaft extension keyseat and slide impeller over shaft extension. Install impeller bolt with washer and torque to 17 ft. lbs.
15. Install new O-ring and casing on the pump mounting plate. Install casing bolts using alternating method and torque to 17 ft. lbs. Insure casing plug is installed.
16. Check unit for free turning of impeller prior to pump startup.
17. Assembly is complete.



**Model SR – Open Impeller**



**Model SL – Closed Impeller**

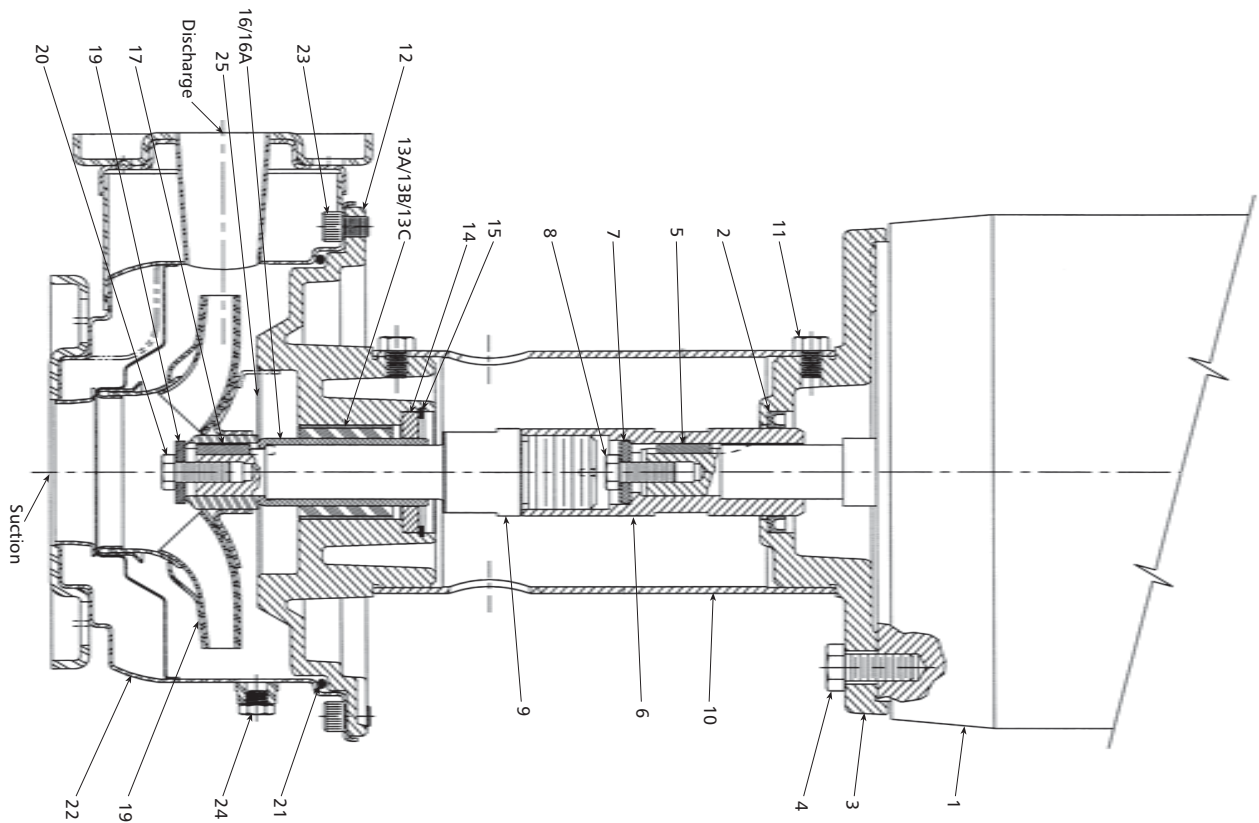
Item #	Quantity	Description	Material
1	1	Casing (Model SL)	AISI 316 Stainless Steel
2	1	Casing (Model SR)	
3	1	Guidevane	
4	1	O-ring - Casing	Viton/EPR
5	8	Socket Head Cap Screw	AISI 304
6	8	Hex Nut	Stainless Steel
7	1	Pump Mounting Plate	AISI 303 SS
8	4	Hex Head Bolt	Plated Steel
9	1	Motor Plate	Cast Iron
10	1	Motor	Electrical
11	1	Support Tube	AISI 304 SS
12	1	Shaft Extension	AISI 304 SS
12A	1	Shaft, Ceramic Coated	AISI 304 SS

Item #	Quantity	Description	Material
13	1	Internal Snap Ring	Stainless Steel
14	1	Bushing	Nitronic 60 SS
15A	1	Bearing	Viton
15B	1	Bearing	Carbon
15C	1	Bearing	EPR
16	1	Impeller (Model SR)	AISI 316 SS
17	1	Impeller (Model SL)	AISI 316 SS
18	1	Plug, Drain and Vent	AISI 316 SS
19	2	O-ring (Drain and Vent Plug)	Viton/EPR
20	1	Impeller Nut	AISI 300 SS
21	1	O-ring (Impeller)	Viton/EPR
22	1	O-ring - Casing	Viton/EPR
23	1	U-cup Seal	Teflon™

# Repair Parts Model SHV

## List of Material

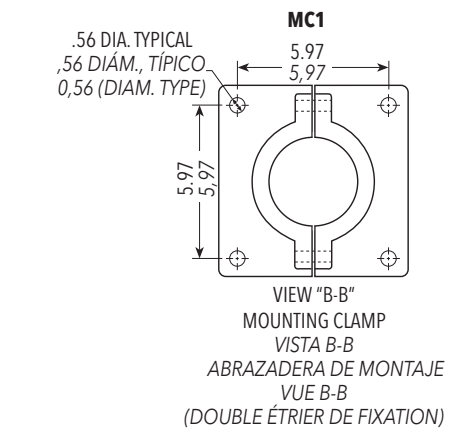
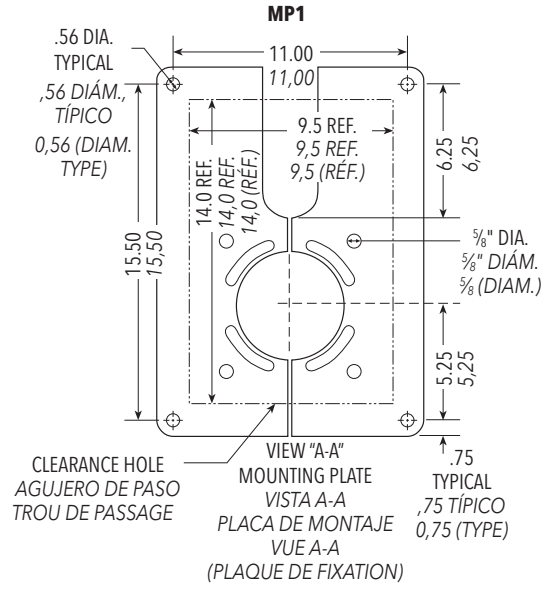
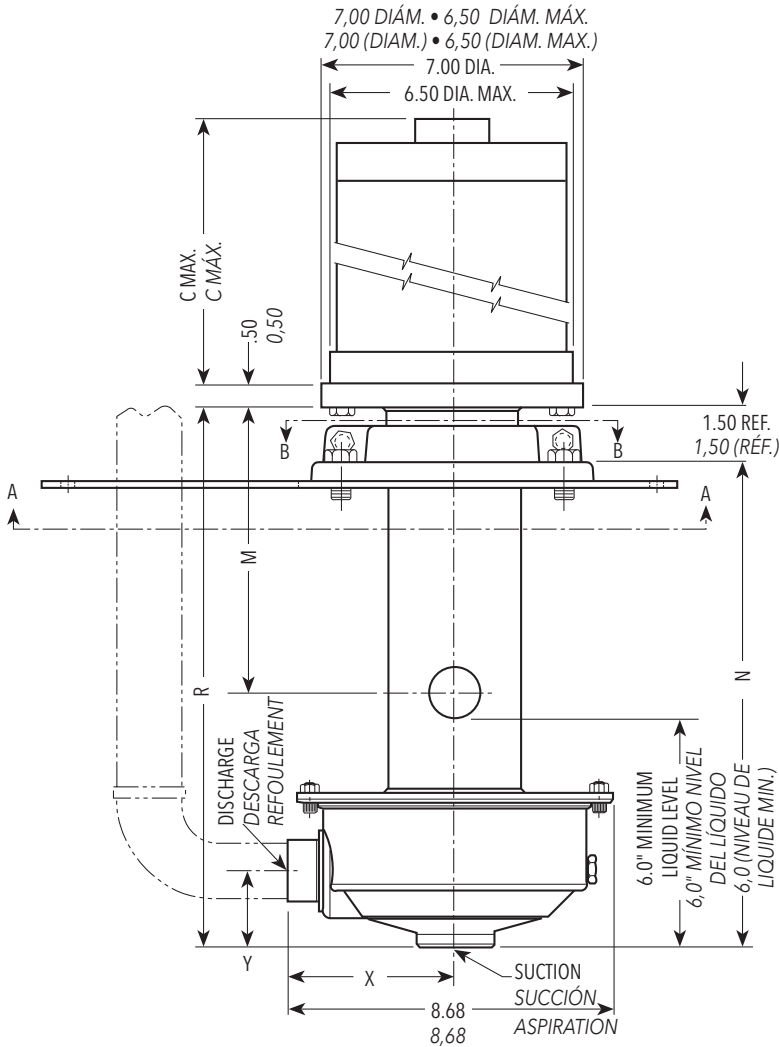
Item #	Quantity	Description	Material
1	1	Motor	Electrical
2	1	Seal, U-cup	Teflon
3	1	Motor Mounting Plate	Painted Cast Iron
4	4	Bolt, Motor	Plated Steel
5	1	Key, Motor	Steel
6	1	Coupling	300 Series SS
7	1	Washer, Coupling	300 Series SS
8	1	Bolt, Coupling	300 Series SS
9	1	Shaft Extension	300 Series SS
10	1	Tube	300 Series SS
11	6	Bolt, Tube	300 Series SS
12	1	Pump Mounting Plate	300 Series SS
13A	1	Bearing	Viton
13B	1	Bearing	Carbon
13C	1	Bearing	EPR
14	1	Bushing	300 Series SS
15	1	Snap Ring	300 Series SS
16	1	Shaft Sleeve	300 Series SS
16A	1	Shaft Sleeve, Ceramic Coated	300 Series SS
17	1	Key, Impeller	300 Series SS
18	1	Impeller	316SS
19	1	Washer, Impeller	300 Series SS
20	1	Bolt, Impeller	300 Series SS
21	1	O-ring	Viton
22	1	Casing	316SS
23	8	Bolt, Casing	300 Series SS
24	1	Plug, Pipe	300 Series SS
25	1	Thrust Plate	300 Series SS





**NPV Pump - Dimensions, Weights and Specifications**  
**Bomba NPV - Dimensiones, Pesos y Especificaciones**  
**Série NPV – dimensions, poids et caractéristiques**

**Optional Mounting Accessories**  
**Accesorios de Montaje Opcionales**  
**Série NPV – accessoires de fixation optionnels**



**Dimensions - Determined by Pump,**  
**Dimensiones - Determinadas por la Bomba**  
**Dimensions – pompe**

Pump, Bomba Pompe	Suction NPT, Succión NPT Aspiration (NPT)	Discharge NPT, Descarga NPT Refolement (NPT)	X	Y	Dimensions Determined by Shaft, Dimensiones Determinadas por el Eje, Dimensions – selon l'arbre						Max. Wt. Pump only, Peso máx., Bomba sola. Poids max., pompe seule
					M		N		R		
					14	24	14	24	14	24	
1SL, 1SR	1¼	1	4¾	2	7.78	17.78	13.20	23.20	14.68	24.68	65
2SL, 2SR	1½	1¼	4½	2½	7.78	17.78	13.20	23.20	14.68	24.68	70
3SL, 3SR	2	1½	4¾	2½	7.78	17.78	13.20	23.20	14.68	24.68	70

**NOTES:**

- Motor dimensions may vary with motor manufacturers.
- Dimensions in inches, weights in pounds.
- For explosion proof motor dimensions consult factory for information.
- Not to be used for construction purposes unless certified.

**NOTA:**

- Les dimensions du moteur peuvent varier selon le fabricant.
- Les dimensions sont en pouces, et le poids, en livres.
- S'adresser au personnel de l'usine pour les dimensions des moteurs antidéflagrants.
- Ne pas utiliser les dimensions pour la construction si elles ne sont pas certifiées à cette fin.

**NOTAS:**

- Las dimensiones del motor puede que varíen con los fabricantes.
- Dimensiones en pulgadas, pesos en libras.
- Para las dimensiones de los motores a prueba de explosión consultar con la fábrica para información.
- No usar para propósitos de construcción sin certificar.

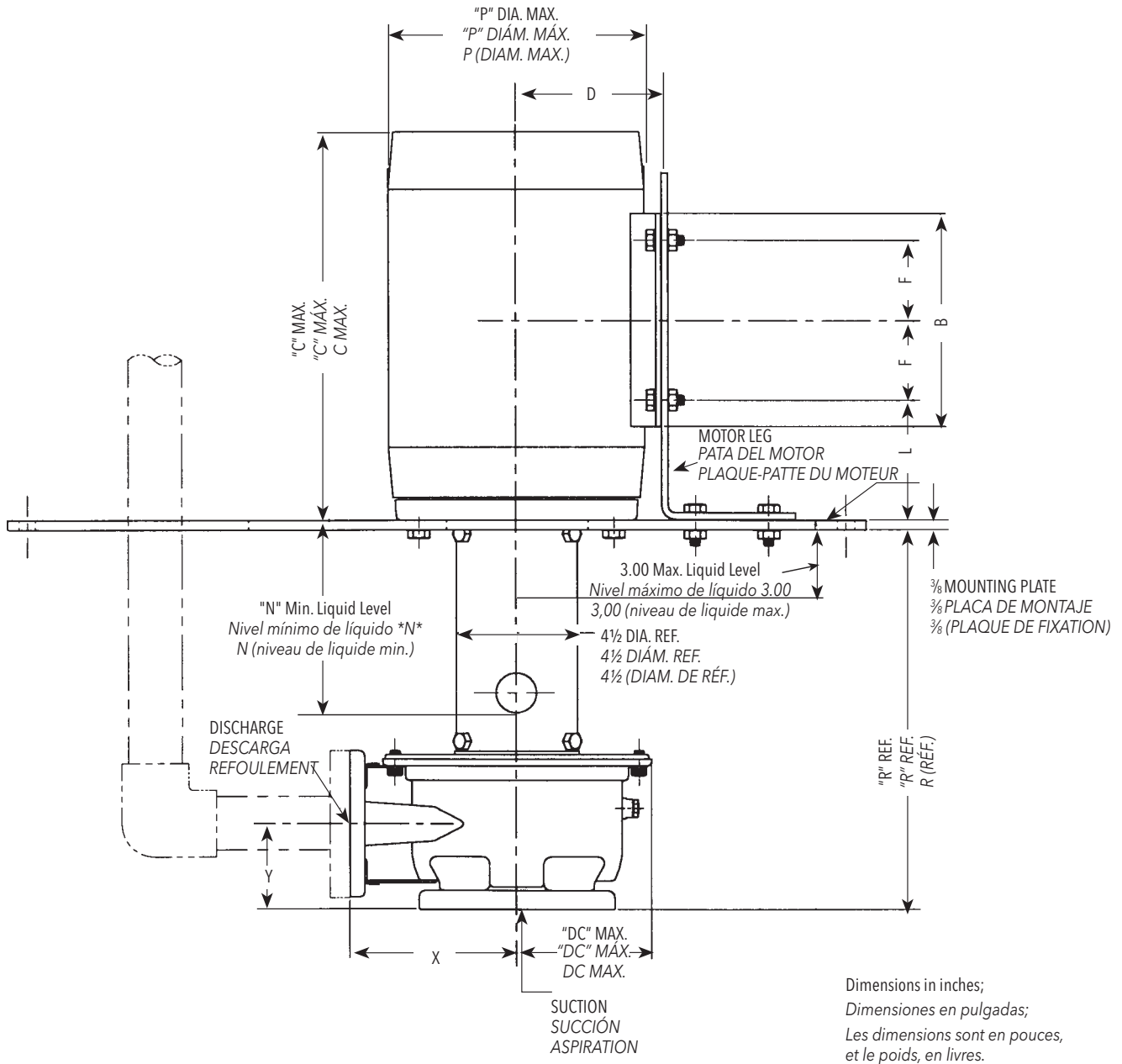
**Available Motor Weights and Dimensions,**

**Pesos y Dimensiones de Motores que se ofrecen**  
**Dimensions et poids – moteur**

HP hp	Motor Weights, Pesos del Motor, Poids						C Max. Length, Longitud, C max.
	1 Phase, Monofásicos, 1Ø			3 Phase, Trifásicos, 3Ø			
	ODP	TEFC	EXP	ODP	TEFC	EXP	
½	16	21	47	19	18	27	9½
¾	19	24	41	21	21	30	10¼
1	22	26	49	23	21	30	11
1½	28	35	56	27	27	37	11½
2	33	39	60	32	33	44	12¼
3	40	43	-	41	37	-	12¾
5	50	-	-	50	-	-	13
7½	-	-	-	49	-	-	14

Dimensions in inches, weights in pounds, Dimensiones en pulgadas, pesos en libras., ODP = abrité (à ouvertures de ventilation protégées); TEFC = fermé autoventilé; EXP = antidéflagrant.

**SHV Pump - Dimensions, Weights and Specifications;**  
**Dimensiones, Pesos y Especificaciones de la Bomba SHV;**  
**Série SHV – dimensions, poids et caractéristiques**



Dimensions in inches;  
 Dimensiones en pulgadas;  
 Les dimensions sont en pouces,  
 et le poids, en livres.

**Dimensions - Determined by Pump; Dimensiones - Determinadas por la Bomba; Dimensions – pompe**

Pump Size; Tamaño de la Bomba; Pompe	150 lb. Flange; Brida de 150 libras; Bride, 150 lb/po <sup>2</sup>		X	Y	"DC" Max.; "DC" Máx.; DC max.	Dimensions Determined by Shaft; Dimensiones Determinadas por el Eje; Dimensions – selon l'arbre				Max. Wt. Pump only; Peso máx., Bomba sola; Poids max., pompe seule	
	Suction; Succión; Aspiration	Discharge; Descarga; Refolement				N		"R" Ref.; "R" Ref.; R (réf.)		14	24
						14	24	14	24		
10SHV – 1 x 2 - 8	2	1	7 <sup>7</sup> / <sub>8</sub>	3 <sup>3</sup> / <sub>8</sub>	5 <sup>5</sup> / <sub>8</sub>	7 <sup>7</sup> / <sub>16</sub>	17 <sup>17</sup> / <sub>16</sub>	14 <sup>14</sup> / <sub>16</sub>	24 <sup>24</sup> / <sub>16</sub>	83	93
9SHV – 1 x 2 - 6			6 <sup>6</sup> / <sub>8</sub>		5			14 <sup>14</sup> / <sub>8</sub>	24 <sup>24</sup> / <sub>8</sub>	75	85
4SHV – 1 <sup>1</sup> / <sub>2</sub> x 2 <sup>1</sup> / <sub>2</sub> - 6	2 <sup>1</sup> / <sub>2</sub>	1 <sup>1</sup> / <sub>2</sub>	7 <sup>7</sup> / <sub>8</sub>	3 <sup>3</sup> / <sub>4</sub>	5 <sup>5</sup> / <sub>8</sub>	7 <sup>7</sup> / <sub>16</sub>	17 <sup>17</sup> / <sub>16</sub>	14 <sup>14</sup> / <sub>8</sub>	24 <sup>24</sup> / <sub>8</sub>	83	93
7SHV – 1 <sup>1</sup> / <sub>2</sub> x 2 <sup>1</sup> / <sub>2</sub> - 8								15 <sup>15</sup> / <sub>32</sub>	25 <sup>25</sup> / <sub>32</sub>	83	93
5SHV – 2 x 2 <sup>1</sup> / <sub>2</sub> - 6			2	7 <sup>7</sup> / <sub>8</sub>	4	5	15 <sup>15</sup> / <sub>16</sub>	25 <sup>25</sup> / <sub>16</sub>	76	86	

For motor information and related dimensions, see page 9.  
 Para información acerca del motor y las dimensiones relacionadas, vea la página 9.  
 Voir autres dimensions et détails relatifs aux moteurs, en page 9.

**SHV Pump - Dimensions, Weights and Specifications;**  
**Dimensiones, Pesos y Especificaciones de la Bomba SHV;**  
**Série SHV – dimensions, poids et caractéristiques (suite)**

**Dimensions - Determined by Motor;**  
**Dimensiones - Determinadas por el motor; Dimensions – moteur**

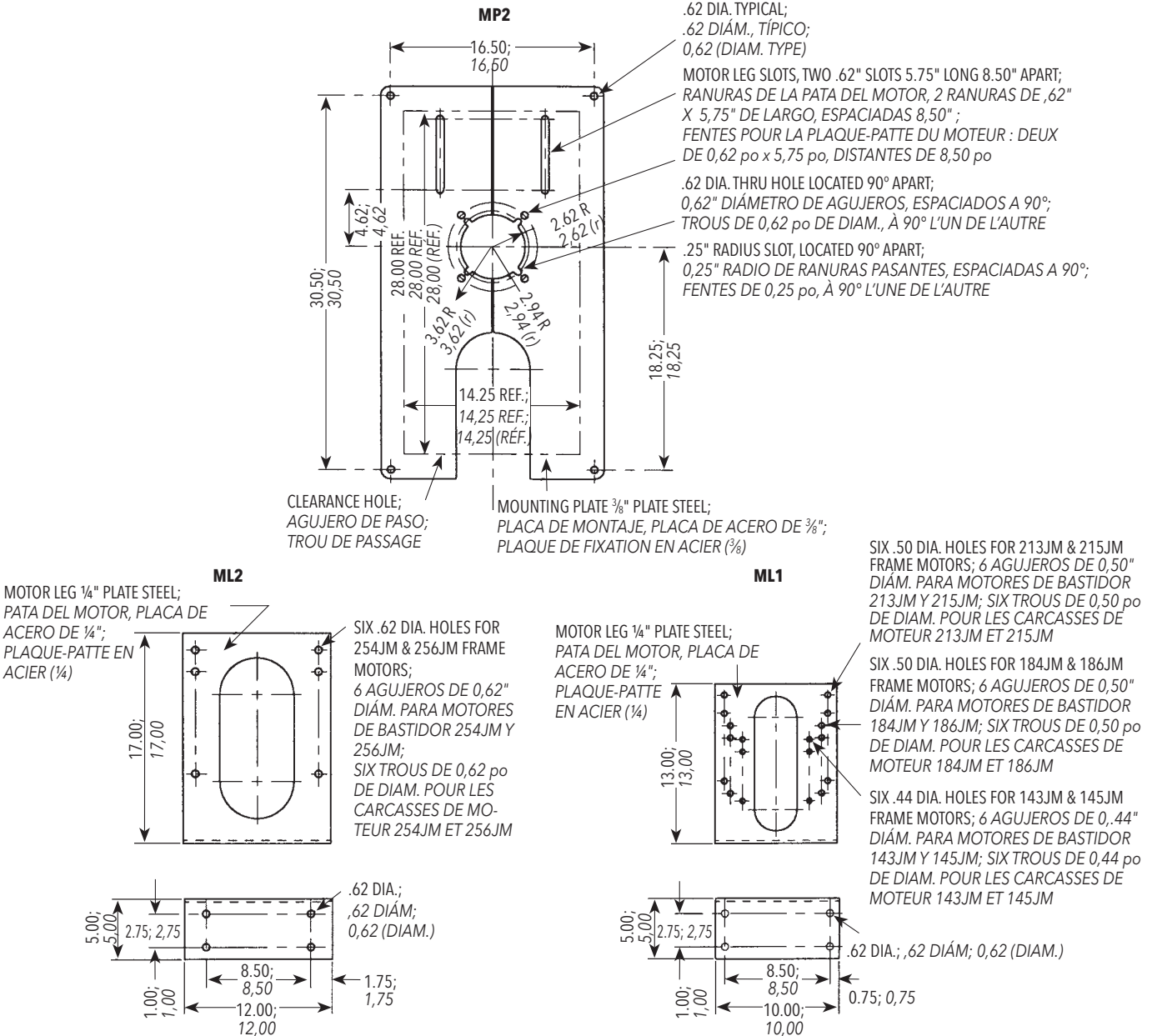
Motor Frame; Bastidor del motor; Carcasse de moteur	L	F	B	D	"C" Max.; "C" Máx.; C max.	"P" Dia. Max.; Diám. P Máx.; P (diam. max.)	Max. Wt. Motor; Peso Máx. del motor; Poids max.
143JM	3 <sup>15</sup> / <sub>32</sub>	2	6	3 <sup>1</sup> / <sub>2</sub>	11 <sup>7</sup> / <sub>8</sub>	6 <sup>5</sup> / <sub>8</sub>	41
145JM		2 <sup>1</sup> / <sub>2</sub>					57
182JM	4 <sup>3</sup> / <sub>32</sub>	2 <sup>1</sup> / <sub>4</sub>	6 <sup>1</sup> / <sub>2</sub>	4 <sup>1</sup> / <sub>2</sub>	14 <sup>3</sup> / <sub>8</sub>	7 <sup>7</sup> / <sub>8</sub>	77
184JM		2 <sup>3</sup> / <sub>4</sub>					97
213JM	5 <sup>3</sup> / <sub>32</sub>	3 <sup>1</sup> / <sub>2</sub>	8	5 <sup>1</sup> / <sub>4</sub>	18 <sup>1</sup> / <sub>4</sub>	9 <sup>5</sup> / <sub>8</sub>	122
215JM							155
254TCZ	5 <sup>5</sup> / <sub>8</sub>	4 <sup>1</sup> / <sub>8</sub>	9 <sup>1</sup> / <sub>2</sub>	6 <sup>1</sup> / <sub>4</sub>	21 <sup>1</sup> / <sub>2</sub>	11 <sup>1</sup> / <sub>2</sub>	265
256TCZ		5	11 <sup>1</sup> / <sub>4</sub>				320

**Motor Horsepower; Potencia del motor;**  
**Puissance du moteur (hp)**

Motor Frame; Bastidor del motor; Carcasse de moteur	3500 RPM; 3500 r/min					1750 RPM; 1750 r/min				
	1 Phase; 1 Ø; Monofásicos		3 Phase; 3 Ø; Trifásicos			1 Phase; 1 Ø; Monofásicos		3 Phase; 3 Ø; Trifásicos		
	ODP	TEFC	ODP	TEFC	EXP	ODP	TEFC	ODP	TEFC	EXP
143JM	-	-	-	-	-	-	-	1	1	1
145JM	2	2	2-3	2	-	1-1 <sup>1</sup> / <sub>2</sub>	1-1 <sup>1</sup> / <sub>2</sub>	1 <sup>1</sup> / <sub>2</sub> -2	1 <sup>1</sup> / <sub>2</sub> -2	1 <sup>1</sup> / <sub>2</sub> -2
182JM	3	3	5	3	3	2	2-3	3	3	3
184JM	5	5	7 <sup>1</sup> / <sub>2</sub>	5	5	3	-	5	5	5
213JM	7 <sup>1</sup> / <sub>2</sub>	-	10	7 <sup>1</sup> / <sub>2</sub>	7 <sup>1</sup> / <sub>2</sub>	5	-	7 <sup>1</sup> / <sub>2</sub>	7 <sup>1</sup> / <sub>2</sub>	7 <sup>1</sup> / <sub>2</sub>
215JM	10	-	15	10-15	10	-	-	10	10	10
254TCZ	-	-	20	-	-	-	-	-	-	-
256TCZ	-	-	25	20-25	-	-	-	-	-	-

Les dimensions sont en pouces, et le poids, en livres. ODP = abrité (à ouvertures de ventilation protégées); TEFC = fermé autoventilé; EXP = antidéflagrant.

**Optional Mounting Accessories;**  
**Accesorios de Montaje Opcionales; Série SHV – accessoires de fixation optionnels**



## TROUBLESHOOTING



**FAILURE TO DISCONNECT AND LOCKOUT ELECTRICAL POWER BEFORE ATTEMPTING ANY MAINTENANCE CAN CAUSE SHOCK, BURNS OR DEATH.**

### SYMPTOM:

#### Motor Not Running

See Probable Causes 1 through 5

#### Little or No Liquid Delivered

See Probable Causes 6 through 12

#### Excessive Power Consumption

See Probable Causes 3, 12, 13, 14

#### Excessive noise and Vibration

See Probable Causes 3, 6, 7, 10, 13, 15 and 16

### PROBABLE CAUSES:

1. Motor thermal protector tripped
2. Open circuit breaker or blown fuse
3. Impeller binding
4. Motor improperly wired
5. Defective motor
6. Pump is not primed, air or gases in pumpage
7. Discharge, suction plugged or valve closed
8. Incorrect rotation (3 phase only)
9. Low voltage or phase loss
10. Impeller worn or plugged with debris
11. System head too high
12. Incorrect impeller diameter
13. Discharge head too low - excessive flow rate
14. Fluid viscosity and/or specific gravity too high
15. Worn bearing
16. Pump, motor or piping loose

### GOULDS WATER TECHNOLOGY LIMITED WARRANTY

This warranty applies to all water systems pumps manufactured by Goulds Water Technology.

Any part or parts found to be defective within the warranty period shall be replaced at no charge to the dealer during the warranty period. The warranty period shall exist for a period of twelve (12) months from date of installation or eighteen (18) months from date of manufacture, whichever period is shorter.

A dealer who believes that a warranty claim exists must contact the authorized Goulds Water Technology distributor from whom the pump was purchased and furnish complete details regarding the claim. The distributor is authorized to adjust any warranty claims utilizing the Goulds Water Technology Customer Service Department.

#### The warranty excludes:

- (a) Labor, transportation and related costs incurred by the dealer;
- (b) Reinstallation costs of repaired equipment;
- (c) Reinstallation costs of replacement equipment;
- (d) Consequential damages of any kind; and,
- (e) Reimbursement for loss caused by interruption of service.

#### For purposes of this warranty, the following terms have these definitions:

- (1) "Distributor" means any individual, partnership, corporation, association, or other legal relationship that stands between Goulds Water Technology and the dealer in purchases, consignments or contracts for sale of the subject pumps.
- (2) "Dealer" means any individual, partnership, corporation, association, or other legal relationship which engages in the business of selling or leasing pumps to customers.
- (3) "Customer" means any entity who buys or leases the subject pumps from a dealer. The "customer" may mean an individual, partnership, corporation, limited liability company, association or other legal entity which may engage in any type of business.

**THIS WARRANTY EXTENDS TO THE DEALER ONLY.**

**xylem**  
Let's Solve Water

Xylem, Inc.  
2881 East Bayard Street Ext., Suite A  
Seneca Falls, NY 13148  
Phone: (800) 453-6777  
Fax: (888) 322-5877  
[www.xylem.com/brands/gouldswatertechnology](http://www.xylem.com/brands/gouldswatertechnology)

Goulds is a registered trademark of Goulds Pumps, Inc. and is used under license.  
© 2012 Xylem Inc. IM101 Revision Number 4 July 2012



# Modelos SHV y NPV

INSTRUCCIONES DE INSTALACIÓN, FUNCIONAMIENTO Y MANTENIMIENTO

TEMA	PÁGINA
Instrucciones de seguridad.....	15
Descripción y especificaciones .....	15
Datos de ingeniería.....	15
Instalación.....	15
Tubería de Succión .....	15
Tubería de Descarga .....	16
Alambrado y conexión a tierra .....	16
Rotación.....	16
Operación .....	16
Mantenimiento.....	16
Desarmado de la Serie NPV.....	16
Rearmado de la Serie NPV .....	17
Desarmado de la Serie SHV.....	17
Rearmado de la Serie SHV .....	18
Partes de repuesto.....	19
Bomba NPV - Dimensiones, Pesos y Especificaciones.....	9
Accesorios de Montaje Opcionales .....	9
Bomba SHV - Dimensiones, Pesos y Especificaciones.....	10
Accesorios de Montaje Opcionales .....	11
Identificación y resolución de problemas .....	21
Garantía limitada.....	21
Declaración de Conformidad.....	31

**Información para el propietario**

Número de modelo de la bomba: \_\_\_\_\_

Número de serie de la bomba: \_\_\_\_\_

Representante: \_\_\_\_\_

Número telefónico del representante: \_\_\_\_\_

Fecha de compra: \_\_\_\_\_

Fecha de Instalación: \_\_\_\_\_

Lecturas actuales de la puesta en servicio:

1 Ø	3 Ø	L1-2	L2-3	L3-1
Amps: _____	Amps: _____	_____	_____	_____
Voltios: _____	Voltios: _____	_____	_____	_____

## INSTRUCCIONES DE SEGURIDAD

**PARA EVITAR LESIONES PERSONALES GRAVES O FATALES, Y DAÑOS SIGNIFICATIVOS A LA PROPIEDAD, LEA Y SIGA TODAS LAS INSTRUCCIONES DE SEGURIDAD QUE SE ENCUENTRAN EN ESTE MANUAL O EN LA BOMBA.**

**ESTE MANUAL TIENE LA FUNCIÓN DE ASISTIRLO EN LA INSTALACIÓN Y OPERACIÓN DE ESTA UNIDAD Y DEBE CONSERVARSE CON LA BOMBA.**



Éste es un SÍMBOLO DE ALERTA DE SEGURIDAD. Cuando vea este símbolo sobre la bomba o en el manual, localice una de las siguientes palabras de señalización y esté alerta ante posibles lesiones personales o daños a la propiedad.

### **▲ PELIGRO**

Advierte sobre los peligros que **PROVOCARÁN** lesiones graves, muerte o daños significativos a la propiedad.

### **▲ ADVERTENCIA**

Advierte sobre los peligros que **PUEDEN PROVOCAR** lesiones graves, muerte o daños significativos a la propiedad.

### **▲ PRECAUCIÓN**

Advierte sobre los peligros que **PROVOCARÁN** o **PUEDEN PROVOCAR** lesiones o daños a la propiedad.

**AVISO: INDICA QUE EXISTEN INSTRUCCIONES ESPECIALES MUY IMPORTANTES QUE DEBEN RESPETARSE.**

**EXAMINE COMPLETAMENTE TODAS LAS INSTRUCCIONES Y ADVERTENCIAS ANTES DE REALIZAR CUALQUIER TRABAJO EN ESTA BOMBA. CONSERVE TODAS LAS CALCOMANÍAS.**

### **▲ ADVERTENCIA**



Los fluidos peligrosos pueden causar incendios, quemaduras o la muerte.

**ESTA UNIDAD NO SE ENCUENTRA DISEÑADA PARA SER USADA CON LÍQUIDOS O GASES INFLAMABLES. ESTOS FLUIDOS PUEDEN ESTAR PRESENTES EN ÁREAS CONTAMINADAS.**

**AVISO: INSPECCIONE LA UNIDAD PARA VER SI TIENE DAÑOS Y NOTIFIQUE INMEDIATAMENTE TODO DAÑO AL TRANSPORTISTA O AL AGENTE.**

## DESCRIPCIÓN Y ESPECIFICACIONES

Las bombas de las series NPV y SHV son bombas de extremo de succión de inmersión vertical diseñadas para el servicio general de transferencia de líquidos, refrigerante para máquinas-herramientas, lavado de partes, filtración, tratamiento de residuos y aplicaciones OEM (fabricantes de equipo original). El extremo del líquido está construido totalmente de acero inoxidable serie AISI 300.

Estas bombas no están diseñadas para aplicaciones que requieran clasificaciones ANSI, FDA o NSF y no se recomiendan para usarse en servicios altamente abrasivos como las operaciones de trituración.

Dependiendo del modelo, los impulsores se ofrecen en configuraciones cerradas y abiertas. Las versiones de impulsor cerrado del modelo NPV están equipadas con un difusor para mejorar la eficiencia y para aplicar una carga insignificante del eje radial.

Las unidades NPV tienen motores NEMA 56J con montaje de superficie en C y extensiones de eje roscado. Las unidades SHV tienen motores de bastidor NEMA JM.

## DATOS DE INGENIERÍA

Temperatura máxima del líquido: 250° F (120° C)

Presión máxima de trabajo:

NPV 125 lbs./pulg. cuadrada (9 bars)

SHV 230 lbs./pulg. cuadrada (15 bars)

Arranques por hora: 20 - distribuidos uniformemente

## INSTALACIÓN

**AVISO: LAS UNIDADES PUEDEN INSTALARSE EN ORIENTACIÓN VERTICAL ÚNICAMENTE. NO INSTALAR CON EL MOTOR DEBAJO DE LA BOMBA.**

La unidad puede montarse directamente sobre el extremo superior de un tanque o puede utilizarse la placa de montaje opcional Goulds Water Technology.

Deben mantenerse los niveles mínimo y máximo de líquido para que la bomba funcione en forma adecuada. Consulte la página de dimensiones para obtener más detalles.

Deje un espacio adecuado para el mantenimiento y la ventilación. Proteja la bomba contra la congelación o inundación.

## TUBERÍAS

La tubería no debe ser más pequeña que las conexiones de descarga y succión de la bomba y debe mantenerse lo más corta posible, evitando los accesorios innecesarios para reducir al mínimo las pérdidas por fricción.

Todas las tuberías **DEBEN** estar apoyadas en forma independiente y **NO DEBE** aplicarse ninguna carga de las tuberías sobre la bomba.

**AVISO: NO FUERCE LA TUBERÍA A SU POSICIÓN EN LAS CONEXIONES DE SUCCIÓN O DESCARGA DE LA BOMBA.**

Todas las juntas **DEBEN** ser herméticas. Aplique tres o cuatro vueltas de cinta Teflon(tm) para sellar las conexiones roscadas en la Serie NPV.

Las bombas de la Serie SHV utilizan bridas estándar de cara levantada ANSI clase 150.

## TUBERÍAS - SUCCIÓN

No se requiere tubería de succión para la instalación típica de la unidad.

La toma de succión debe situarse sobre la distancia mínima del fondo del tanque: NPV = 2 pulg., SHV = 4 pulg. El tanque debe mantenerse sin residuos.

Utilice una válvula de aspiración sólo cuando sea necesario para retener el cebado durante un servicio intermitente donde el nivel de líquido del tanque no regresa a la profundidad mínima antes de rearrancar la bomba. Consulte la página de dimensiones para obtener más detalles.

**AVISO: EN TODOS LOS CASOS, EL COJINETE DEBE ESTAR SUMERGIDO EN LÍQUIDO EN EL MOMENTO DE LA PUESTA EN MARCHA.**

Para evitar las bolsas de aire, ninguna parte de la tubería de succión debe estar situada más arriba de las conexiones de succión de la bomba.

## TUBERÍAS - DESCARGA

Instale una válvula de retención adecuada para manejar el flujo, los líquidos y para evitar el contraflujo. Después de la válvula de retención, instale una válvula de compuerta de tamaño adecuado que se utilizará para regular la capacidad de la bomba, para inspeccionar la bomba y para su mantenimiento.

## ALAMBRADO y CONEXIÓN A TIERRA



⚠ Instale, conecte a tierra y alambre de acuerdo con los requerimientos del Código Eléctrico Nacional o local.

⚠ Instale un desconectador de todos los circuitos, cerca de la bomba.

⚠ Desconecte y bloquee la corriente eléctrica antes de instalar o dar servicio a la bomba.

⚠ El suministro eléctrico **DEBE** coincidir con las especificaciones de la placa del fabricante de la bomba. La tensión incorrecta puede causar incendios, daños al motor y anular la garantía.

⚠ Los motores sin protección **DEBEN** estar equipados con contactadores y sobrecargas térmicas para motores monofásicos, o arrancadores con calentadores para motores trifásicos. Ver la placa del fabricante del motor.

Use únicamente alambre trenzado de cobre para el motor y la conexión a tierra. El alambre de conexión a tierra **DEBE** ser al menos del mismo tamaño que el alambre al motor. Los alambres deben codificarse con colores para facilitar el mantenimiento.

Siga cuidadosamente el diagrama de alambrado del fabricante del motor en la placa o en la cubierta de los terminales del motor.



**LA FALLA DE CONECTAR A TIERRA PERMANENTEMENTE LA BOMBA, EL MOTOR Y LOS CONTROLES, ANTES DE CONECTAR LA CORRIENTE ELÉCTRICA PUEDE CAUSAR ELECTROCHOQUE, QUEMADURAS O LA MUERTE.**

## ROTACIÓN

**AVISO: LA ROTACIÓN INCORRECTA PUEDE CAUSAR DAÑO A LA BOMBA Y ANULAR LA GARANTÍA.**

La rotación correcta es hacia la derecha, **EN EL SENTIDO HORARIO** cuando se mira desde el extremo del motor.

En las unidades montadas sobre el tanque, retire el tapón o cubierta del extremo del motor, encienda y apague rápidamente el suministro eléctrico para observar la rotación.

Para invertir la rotación en los motores trifásicos, intercambie dos conductores cualquiera de la fuente de alimentación.

## OPERACIÓN



**LAS SALPICADURAS O LA INMERSIÓN DE LOS MOTORES ABIERTOS RESGUARDADOS EN FLUIDOS PUEDE PRODUCIR INCENDIO, ELECTROCHOQUE, QUEMADURAS O AÚN LA MUERTE.**

**AVISO: HAY QUE CEBAR COMPLETAMENTE LA BOMBA ANTES DE SU OPERACIÓN. NO HAGA FUNCIONAR LA BOMBA EN SECO O SE DAÑARÁ EL COJINETE DE LA MISMA.**

Inspeccione la tubería después de estabilizar el sistema en las condiciones normales de operación. Si es necesario, ajuste los soportes de tubería.

## MANTENIMIENTO



**LA FALLA DE DESCONECTAR Y BLOQUEAR LA CORRIENTE ELÉCTRICA ANTES DE INTENTAR CUALQUIER MANTENIMIENTO, PUEDE CAUSAR ELECTROCHOQUE, QUEMADURAS O LA MUERTE.**

Los motores tienen cojinetes de lubricación permanente. No es posible ni es necesario lubricar. Siga las recomendaciones del fabricante del motor con respecto al mantenimiento.

Si el rendimiento de la bomba se ve afectado debido a fugas excesivas, inspeccione el cojinete, buje y eje para determinar si están excesivamente gastados. Reemplácelo según sea necesario.

### SERVICIO DE TEMPORADA:

Para poner la bomba **FUERA** de servicio, drene todo el líquido bombeado de la bomba y las tuberías.

Para poner la bomba nuevamente **EN** servicio, reinstale todos los tapones y tuberías utilizando cinta de Teflon™ o equivalente en las roscas macho para la Serie NPV.

Consulte la sección de “OPERACIÓN” del manual.

### DESARMADO DE LA SERIE NPV

Siga **TODAS** las advertencias e instrucciones en la sección de “MANTENIMIENTO” de este manual.

A pesar de que se describirá el desarmado completo de la unidad, se recomienda que sólo desarme lo que sea necesario para realizar el mantenimiento requerido.

Quite la placa de montaje o la abrazadera de la bomba.

### EXTREMO DE LÍQUIDO:

1. Quite los pernos de la carcasa (5).
2. Retire la carcasa (1, 2) y el anillo en O (4) de la carcasa de la placa de montaje de la bomba (7).
3. Retire el álabe de guía (3) y el anillo en O (21) en el modelo SL únicamente.
4. Sujete el eje (12) para que no gire colocando una llave de 1/16 pulg. en las secciones planas del eje a través de los agujeros en el tubo de apoyo (11).
5. Quite la tuerca del impulsor (20) girando en sentido **CONTRAHORARIO**. Podría ser necesario calentar la tuerca con un soplete para retirarla.

**AVISO: TENGA CUIDADO CUANDO MANEJE UNA TUERCA DE IMPULSOR CALIENTE.**



6. Retire el impulsor (16, 17) girándolo en sentido **CONTRAHORARIO** cuando se observa la sección frontal de la bomba. Protéjase la mano con un trapo o un guante.

**AVISO: EL TUBO DE APOYO TIENE ROSCAS DE MANO IZQUIERDA.**

7. Retire la placa de la bomba del tubo de apoyo girando la placa en sentido **HORARIO** al mirar desde el extremo frontal de la bomba.
8. Quite el anillo de resorte (13) de la placa de la bomba y retire el buje de restricción (14).
9. Retire el cojinete de la bomba (15A, 15B) con una prensa de husillo o para cojinetes.
10. Retire el tubo de apoyo de la placa del motor (9) girando el tubo en sentido **HORARIO** al mirar desde el extremo frontal de la bomba.
11. Retire el tapón o cubierta del extremo del motor para dejar al descubierto la ranura para destornillador o las secciones planas en el extremo del eje del motor.
12. Sujete el eje del motor con la herramienta apropiada y retire la extensión (12) del eje del motor, girándolo en sentido **CONTRAHORARIO**. Podría ser necesario calentar la extensión del eje con un soplete para retirarla. Aplique calor a la extensión del eje y no al eje del motor.

**AVISO: TENGA CUIDADO CUANDO MANEJE UNA EXTENSIÓN DE EJE CALIENTE.**

**AVISO: REVISE EL BUJE, EL COJINETE DE LA BOMBA Y LA EXTENSIÓN DEL EJE PARA VER SI ESTÁN EXCESIVAMENTE GASTADOS. REEMPLÁCELOS SEGÚN SEA NECESARIO.**

13. Quite los pernos del motor (8) y retire la placa del motor.
14. Quite el sello de tazón en U (23) de la placa del motor y deséchelo.

### **REARMADO DE LA SERIE NPV**

Deben limpiarse todas las partes antes del armado.

**AVISO: DEBEN REEMPLAZARSE TODOS LOS ANILLOS EN O DESPUÉS DE CUALQUIER DESARMADO DE LA UNIDAD.**

1. Inspeccione el eje del motor para determinar si está descentrado. El máximo permitido es 0.002 pulg. TIR (lectura total del indicador).
2. Instale un nuevo sello de tazón en U en la placa del motor e instale la placa sobre el motor, torsionando los pernos a 15 pie-lbs.
3. Sujete el eje del motor con la herramienta apropiada. Aplique el LOCTITE® 7649 a las cuerdas de rosca del eje y permita para secarse. Aplique LOCTITE® #243 a las roscas del eje del motor e instale la extensión del eje girándola en sentido **HORARIO**.
4. Aplique LOCTITE® #243 a las roscas del tubo de apoyo. Instale el tubo de apoyo en la placa del motor girándolo en sentido **CONTRAHORARIO**.
5. Reinstale el cojinete de la bomba, el buje y el anillo de resorte en la placa de la bomba. Utilice LOCTITE® #243 cuando instale el buje en la placa de la bomba.
6. Instale la placa de la bomba en el tubo de apoyo girándola en sentido **CONTRAHORARIO**.
7. Mientras sujeta el eje con una llave de 1/16 pulg. para que no gire, instale el impulsor girándolo en sentido **HORARIO**, asegurándose de que el impulsor se asiente firmemente contra el eje.

8. Aplique la cartilla del LOCTITE® 7649 a las cuerdas de rosca del eje y a las cuerdas de rosca del impulsor. Permita que la cartilla se seque. Aplique LOCTITE® #243 al extremo del eje e instale la tuerca del impulsor, girando en sentido **HORARIO**.

9. Instale el álabe de guía y el anillo en O del álabe de guía en los modelos SL únicamente.

**AVISO: NO LUBRIQUE EL ANILLO EN O DEL ÁLABE DE GUÍA. ASEGÚRESE DE QUE EL IMPULSOR NO COMPRIMA EL ANILLO EN O DURANTE EL REARMADO.**

10. Instale el nuevo anillo en O de la carcasa y la carcasa, torsionando los pernos a 50 pulg.-lbs.
11. Revise la unidad rearmada para verificar que no haya roce. Si hay roce, realinee la carcasa sobre el centro del impulsor.
12. Esto completa la operación de armado.

### **DESARMADO DE LA SERIE SHV**

Siga **TODAS** las advertencias e instrucciones en la sección de “**MANTENIMIENTO**” de este manual.

A pesar de que se describirá el desarmado completo de la unidad, se recomienda que sólo desarme lo que sea necesario para realizar el mantenimiento requerido.

Quite los pernos de la placa de montaje del extremo superior del tanque.

Levante y retire la bomba del tanque con una banda de nilón o cadena de tamaño adecuado conectada al motor.

Quite la placa de montaje y la pata del motor de la bomba y el motor.

#### **EXTREMO DE LÍQUIDO:**

**NOTA: ANTES DE DESARMAR, ES IMPORTANTE NOTAR LA RELACIÓN DE LA CARCASA DE LA BOMBA, PLACA DE LA BOMBA, PLACA DEL MOTOR Y TUBO DE APOYO. UNA VEZ QUE SE HAYA REARMADO LA BOMBA, LOS CÍRCULOS DE PERNOS DEBERÁN ALINEARSE DE LA MISMA MANERA PARA ASEGURAR QUE LA DESCARGA DE LA CARCASA QUEDE DIRECTAMENTE OPUESTA A LOS SOPORTES DEL MOTOR. PODRÍA SER ÚTIL MARCAR UNA LÍNEA SOBRE ESTAS PARTES ANTES DE DESARMAR.**

1. Retire la carcasa (22) y el anillo en O (21) de la carcasa de la placa de montaje de la bomba (12).
2. Sujetando el impulsor para que no gire, quite el perno del impulsor (20) y la arandela del impulsor (19) girando en sentido **contrahorario**.
3. Retire el impulsor (18) y la chaveta (17) del eje.
4. Retire los tres pernos que conectan el soporte del tubo (10) a la placa de montaje de la bomba (12).
5. Agarre la placa de montaje de la bomba y deslícela cuidadosamente hacia afuera del soporte del tubo y póngala a un lado.
6. Quite el anillo de resorte (15) de la placa de montaje de la bomba y retire el buje (14).
7. Retire cuidadosamente el cojinete de la bomba (13A, 13B) con una prensa de husillo o para cojinetes.
8. Retire la camisa del eje (16) de la extensión del eje (9).
9. Quite los tres pernos (11) que conectan el soporte del tubo a la placa del motor y luego retire el soporte del tubo de la placa del motor.

10. Utilizando (2) llaves de boca sobre las secciones planas de la extensión del eje y el acoplamiento (6), quite el eje girándolo en sentido contrahorario.
11. Quite el perno del acoplamiento (8) y la arandela del acoplamiento del eje del motor con una boquilla y extensión.
12. Retire el acoplamiento y la chaveta (5) del eje del motor.
13. Quite los pernos del motor (11) de la placa de montaje del motor (3).
14. Quite la placa de montaje del motor.
15. Quite el sello de tazón en U (2) de la placa de montaje del motor.

**AVISO: REVISE EL BUJE, EL COJINETE DE LA BOMBA Y LA CAMISA DEL EJE PARA VER SI ESTÁN EXCESIVAMENTE GASTADOS. REEMPLÁCELOS SEGÚN SEA NECESARIO.**

### **REARMADO DE LA SERIE SHV**

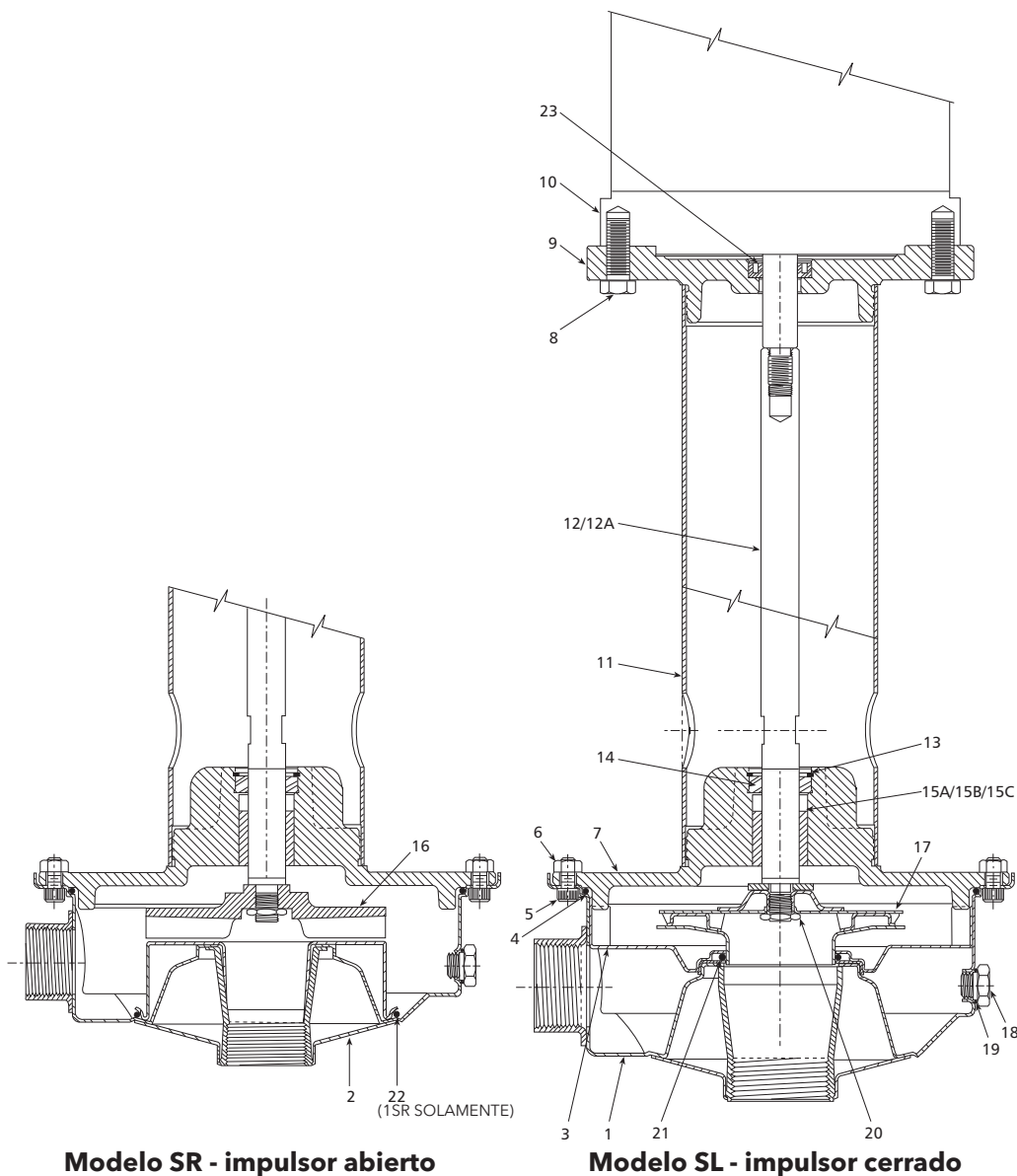
Deben limpiarse todas las partes del armado.

**AVISO: DEBEN REEMPLAZARSE TODOS LOS ANILLOS EN O DESPUÉS DE CUALQUIER DESARMADO DE LA UNIDAD.**

1. Verifique que el eje del motor tenga las dimensiones siguientes. Consulte las normas NEMA con respecto a los métodos de medición apropiados.
2. Descentramiento máximo del eje - 0.002 pulgada.
3. Excentricidad máxima de la ranura de montaje - 0.004 pulgada.
4. Descentramiento máximo de la cara - 0.004 pulgada.
5. Instale un sello de tazón en U nuevo en la placa de montaje del motor y luego instale la placa sobre el motor con los 4 pernos.
6. Coloque la chaveta en el eje del motor y deslice el acoplamiento sobre el eje del motor. Instale el perno con la arandela y torsiónelo a 17 pie-lbs.

**NOTA: ASEGÚRESE DE QUE EL SELLO DE TAZÓN EN U PERMANEZCA EN LA POSICIÓN APROPIADA DURANTE LA INSTALACIÓN DEL ACOPLAMIENTO.**

7. Aplique 2 ó 3 gotas de LOCTITE® #271 a las roscas de la extensión del eje. Atornille la extensión del eje en el acoplamiento y apriétela bien con llaves de boca.
8. Coloque el soporte del tubo sobre la placa de montaje del motor, inserte 3 pernos y apriételos a 17 pie-lbs. Aplique 1 gota de LOCTITE® #243 a cada perno antes de apretar.
9. Comprima e instale el cojinete en la placa de montaje de la bomba.
10. Instale el buje de restricción con el anillo de resorte en la placa de montaje de la bomba.
11. Sitúe cuidadosamente el conjunto de la placa de montaje de la bomba y deslícelo al extremo abierto del soporte de la bomba.
12. Inserte 3 pernos y apriételos a 17 pie-lbs. Aplique 1 gota de LOCTITE® #243 a cada perno antes de apretar.
13. Aplique 1 gota de LOCTITE® #271 al interior de la camisa del eje y luego deslice la camisa sobre la extensión del eje.
14. Coloque la chaveta en la chavetera de la extensión del eje y deslice el impulsor sobre la extensión. Instale el perno y la arandela del impulsor y torsiónelos a 17 pie-lbs.
15. Instale un nuevo anillo en O y la carcasa sobre la placa de montaje de la bomba. Instale los pernos de la carcasa alternando y torsiónelos a 17 pie-lbs. Asegure que el tapón de la carcasa esté instalado.
16. Inspeccione la unidad para verificar que el impulsor gire libremente antes de poner en marcha la bomba.
17. Esto completa la operación de armado.



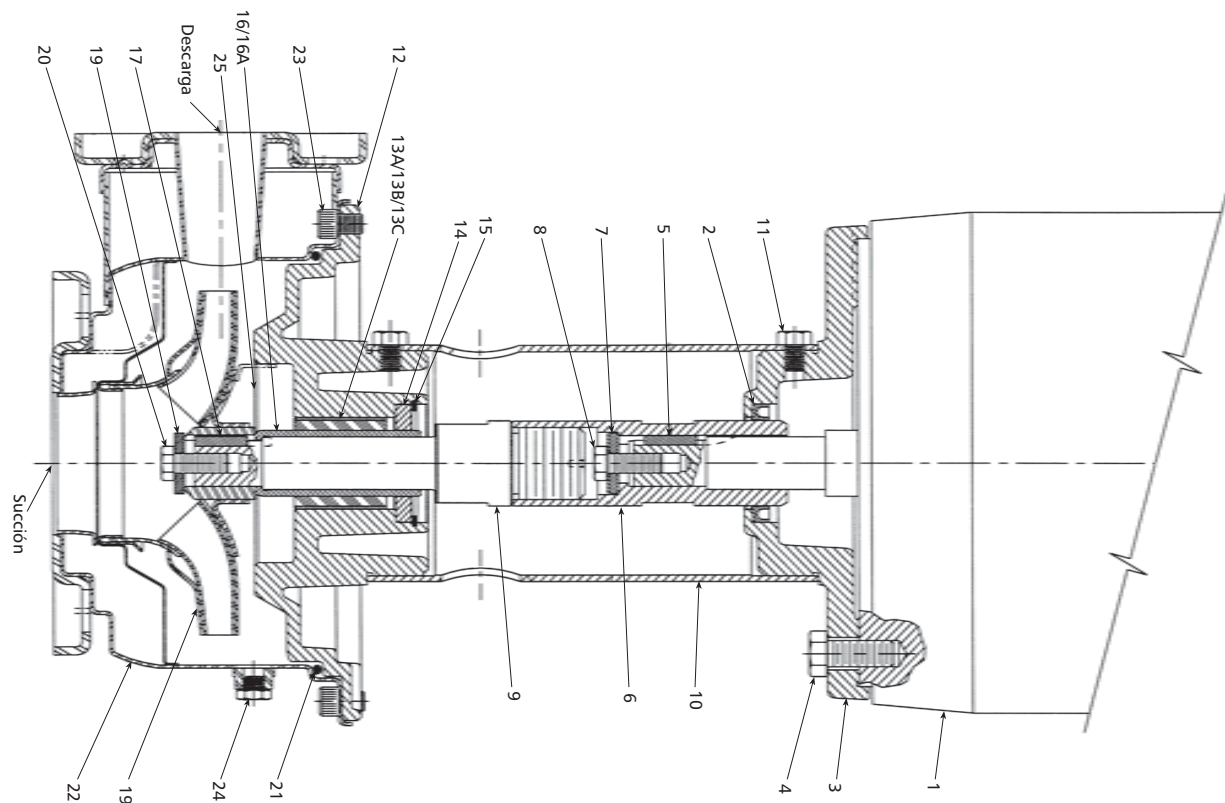
**Modelo SR - impulsor abierto**

**Modelo SL - impulsor cerrado**

Artículo N°	Cantidad	Descripción	Material
1	1	Carcasa (modelo SL)	Acero inoxidable AISI 316
2	1	Carcasa (modelo SR)	
3	1	Álabe de guía	
4	1	Anillo en O - carcasa	Viton/EPR
5	8	Tornillo de cabeza hueca	Acero inoxidable AISI 304
6	8	Tuerca hexagonal	
7	1	Placa de montaje de la bomba	Acero inoxidable AISI 303
8	4	Perno de cabeza hexagonal	Acero enchapado
9	1	Placa del motor	Hierro fundido
10	1	Motor	Eléctrico
11	1	Tubo de apoyo	Acero inoxidable AISI 304
12	1	Extensión del eje	
12A	1	Eje, recubierto con cerámica	

Artículo N°	Cantidad	Descripción	Material
13	1	Anillo de resorte interno	Acero inoxidable
14	1	Buje	Acero inoxidable Nitronic 60
15A	1	Cojinete	Viton
15B	1	Cojinete	Carbón
15C	1	Cojinete	EPR
16	1	Impulsor (modelo SR)	Acero inoxidable AISI 316
17	1	Impulsor (modelo SL)	
18	1	Tapón, drenaje y ventilación	Viton/EPR
19	2	Anillo en O (tapón de drenaje y ventilación)	
20	1	Tuerca del impulsor	Acero inoxidable AISI 300
21	1	Anillo en O (impulsor)	Viton/EPR
22	1	Anillo en O - carcasa	Viton/EPR
23	1	Sello de tazón en U	Teflon(tm)

Lista de materiales			
Artículo N°	Cantidad	Descripción	Material
1	1	Motor	Eléctrico
2	1	Sello, de tazón en U	Teflon
3	1	Placa de montaje del motor	Hierro fundido pintado
4	4	Pernos, del motor	Acero enchapado
5	1	Chaveta, del motor	Acero
6	1	Acoplamiento	Acero inoxidable Serie 300
7	1	Arandela, del acoplamiento	Acero inoxidable Serie 300
8	1	Perno, del acoplamiento	Acero inoxidable Serie 300
9	1	Extensión del eje	Acero inoxidable Serie 300
10	1	Tubo	Acero inoxidable Serie 300
11	6	Perno, del tubo	Acero inoxidable Serie 300
12	1	Placa de montaje de la bomba	Acero inoxidable Serie 300
13A	1	Cojinete	Viton
13B	1	Cojinete	Carbón
13C	1	Cojinete	EPR
14	1	Buje	Acero inoxidable Serie 300
15	1	Anillo de resorte	Acero inoxidable Serie 300
16	1	Camisa del eje	Acero inoxidable Serie 300
16A	1	Camisa del eje, recubierta con cerámica	Acero inoxidable Serie 300
17	1	Chaveta, del impulsor	Acero inoxidable Serie 300
18	1	Impulsor	Acero inoxidable 316
19	1	Arandela, del impulsor	Acero inoxidable Serie 300
20	1	Perno, del impulsor	Acero inoxidable Serie 300
21	1	Anillo en O	Viton
22	1	Carcasa	Acero inoxidable 316
23	8	Perno, de la carcasa	Acero inoxidable Serie 300
24	1	Tapón, de tubería	Acero inoxidable Serie 300
25	1	Placa de empuje	Acero inoxidable Serie 300



## IDENTIFICACIÓN Y RESOLUCIÓN DE PROBLEMAS



**LA FALLA DE DESCONECTAR Y BLOQUEAR LA CORRIENTE ELÉCTRICA ANTES DE INTENTAR CUALQUIER MANTENIMIENTO, PUEDE CAUSAR ELECTROCHOQUE, QUEMADURAS O LA MUERTE**

### SÍNTOMA:

#### El motor no funciona

Ver las causas probables 1 a 5.

#### Se entrega poco o nada de líquido

Ver las causas probables 6 a 12

#### Consumo excesivo de electricidad

Ver las causas probables 3, 12, 13 y 14

#### Ruido y vibración excesivos

Ver las causas probables 3, 6, 7, 10, 13, 15 y 16

### CAUSAS PROBABLES:

1. Se disparó el protector térmico del motor
2. Cortacircuitos abierto o fusible quemado
3. Roce del impulsor
4. Cableado incorrecto del motor
5. Motor defectuoso
6. La bomba no está cebada, hay aire o gases en el líquido bombeado
7. Descarga o succión bloqueada o válvula cerrada
8. Rotación incorrecta (unidades trifásicas únicamente)
9. Baja tensión o pérdida de fase
10. El impulsor está gastado u obstruido con residuos
11. Carga del sistema demasiado alta
12. Diámetro incorrecto del impulsor
13. Carga de descarga demasiado baja - velocidad de flujo excesiva
14. Viscosidad y/o peso específico del fluido demasiado altos
15. Cojinete gastado
16. La bomba, el motor o la tubería está suelta

### GARANTÍA LIMITADA DE GOULDS WATER TECHNOLOGY

Esta garantía es aplicable a todas las bombas para sistemas de agua fabricadas por Goulds Water Technology.

Toda parte o partes que resulten defectuosas dentro del período de garantía serán reemplazadas sin cargo para el comerciante durante dicho período de garantía. Tal período de garantía se extiende por doce (12) meses a partir de la fecha de instalación, o dieciocho (18) meses a partir de la fecha de fabricación, cualquiera se cumpla primero.

Todo comerciante que considere que existe lugar a un reclamo de garantía deberá ponerse en contacto con el distribuidor autorizado de Goulds Water Technology del cual adquiriera la bomba, y ofrecer información detallada con respecto al reclamo. El distribuidor está autorizado a liquidar todos los reclamos por garantía a través del Departamento de Servicios a Clientes de Goulds Water Technology.

#### La presente garantía excluye:

- (a) La mano de obra, el transporte y los costos relacionados en los que incurra el comerciante;
- (b) los costos de reinstalación del equipo reparado;
- (c) los costos de reinstalación del equipo reemplazado;
- (d) daños emergentes de cualquier naturaleza; y
- (e) el reembolso de cualquier pérdida causada por la interrupción del servicio.

#### A los fines de esta garantía, los términos “Distribuidor”, “Comerciante” y “Cliente” se definen como sigue:

- (1) “Distribuidor” es aquel individuo, sociedad, corporación, asociación u otra entidad jurídica que opera entre Goulds Water Technology y el comerciante para la compra, consignación o contratos de venta de las bombas en cuestión.
- (2) “Comerciante” es todo individuo, sociedad, corporación, asociación u otra entidad jurídica que realiza negocios de venta o alquiler-venta (leasing) de bombas a clientes.
- (3) “Cliente” es toda entidad que compra o que adquiere bajo la modalidad de leasing las bombas en cuestión de un comerciante. El término “cliente” puede significar un individuo, una sociedad, una corporación, una sociedad de responsabilidad limitada, una asociación o cualquier otra entidad jurídica con actividades en cualquier tipo de negocios.

**LA PRESENTE GARANTÍA SE EXTIENDE AL COMERCIANTE ÚNICAMENTE**

**xylem**  
Let's Solve Water

Xylem, Inc.  
2881 East Bayard Street Ext., Suite A  
Seneca Falls, NY 13148  
Teléfono: (800) 453-6777  
Fax: (888) 322-5877  
[www.xylem.com/brands/gouldswatertechnology](http://www.xylem.com/brands/gouldswatertechnology)

Goulds es una marca registrada de Goulds Pumps, Inc. y se utiliza bajo licencia.  
© 2012 Xylem Inc. IM101 Revisión Número 4 Julio 2012



# Modèles SHV et NPV

**DIRECTIVES D'INSTALLATION, D'UTILISATION ET D'ENTRETIEN**

SUJET	PAGE
Consignes de sécurité .....	24
Description et caractéristiques .....	24
Données techniques.....	24
Installation .....	24
Tuyauterie D'aspiration.....	24
Tuyauterie de Refoulement.....	25
Câblage et mise à la terre.....	25
Sens de rotation.....	25
Utilisation.....	25
Entretien .....	25
Série NPV — démontage .....	25
Série NPV — remontage.....	26
Série SHV — démontage .....	26
Série SHV — remontage.....	27
Pièces de rechange — séries NPV et SHV .....	28
Série NPV — dimensions, poids et caractéristiques.....	9
Série NPV — accessoires de fixation optionnels.....	9
Série SHV — dimensions, poids et caractéristiques.....	10
Série SHV — accessoires de fixation optionnels.....	11
Diagnostic des anomalies.....	30
Déclaration de Conformité.....	31
Garantie limitée.....	32

**Informations pour le propriétaire**

Numéro de modèle de la pompe : \_\_\_\_\_

Numéro de série de la pompe : \_\_\_\_\_

Détaillant : \_\_\_\_\_

N° de téléphone du détaillant : \_\_\_\_\_

Date d'achat : \_\_\_\_\_

Date d'installation : \_\_\_\_\_

Courant mesuré au démarrage :

1 Ø	3 Ø	L1-2	L2-3	L3-1
A: _____	A: _____	_____	_____	_____
V: _____	V: _____	_____	_____	_____

## CONSIGNES DE SÉCURITÉ

**AFIN DE PRÉVENIR LES BLESSURES GRAVES OU MORTELLES ET LES DOMMAGES MATÉRIELS IMPORTANTS, LIRE ET SUIVRE TOUTES LES CONSIGNES DE SÉCURITÉ FIGURANT DANS LE MANUEL ET SUR LA POMPE.**

**LE PRÉSENT MANUEL A POUR BUT DE FACILITER L'INSTALLATION ET L'UTILISATION DE LA POMPE ET DOIT RESTER PRÈS DE CELLE-CI.**



Le symbole ci-contre est un SYMBOLE DE SÉCURITÉ employé pour signaler les mots-indicateurs dont on trouvera la description ci-dessous. Sa présence sert à attirer l'attention afin d'éviter les blessures et les dommages matériels.



**DANGER** Prévient des risques qui **VONT** causer des blessures graves, la mort ou des dommages matériels importants.



**AVERTISSEMENT** Prévient des risques qui **PEUVENT** causer des blessures graves, la mort ou des dommages matériels importants.



**ATTENTION** Prévient des risques qui **PEUVENT** causer des blessures ou des dommages matériels.

**AVIS : SERT À ÉNONCER LES DIRECTIVES SPÉCIALES DE GRANDE IMPORTANCE QUE L'ON DOIT SUIVRE.**

**LIRE SOIGNEUSEMENT CHAQUE DIRECTIVE ET AVERTISSEMENT AVANT D'EFFECTUER TOUT TRAVAIL SUR LA POMPE.**

**N'ENLEVER AUCUN AUTOCOLLANT DE SÉCURITÉ.**



Les fluides dangereux peuvent causer un incendie, des brûlures ou la mort.

**APPAREIL NON CONÇU POUR LES LIQUIDES DANGEREUX NI POUR LES GAZ INFLAMMABLES. CES FLUIDES POURRAIENT ÊTRE PRÉSENTS DANS LES INSTALLATIONS DE CONFINEMENT (PUITS COLLECTEURS).**

**AVIS : INSPECTER L'APPAREIL ET SIGNALER IMMÉDIATEMENT TOUT DOMMAGE AU TRANSPORTEUR OU AU DÉTAILLANT.**

## DESCRIPTION et CARACTÉRISTIQUES

Les pompes de séries NPV et SHV sont des pompes verticales à aspiration en bout, partiellement immergées et utilisées dans le transfert de liquides de nature générale, le refroidissement de machines-outils, le lavage de pièces, la filtration, le traitement de liquides résiduels et le matériel OEM. La tête de pompage est tout en inox AISI, série 300.

Ces pompes ne sont pas conçues pour des utilisations requérant une classification ANSI, FDA ou NSF ni pour les liquides de forte abrasivité comme les liquides contenant des solides à dilacerer (« broyer »), notamment.

Les roues sont fermées ou ouvertes, selon le modèle. Les roues fermées de la NPV sont montées avec un diffuseur pour un rendement élevé et une charge radiale de l'arbre négligeable.

Les NPV possèdent un moteur NEMA 56J à bride de fixation en C et à arbre-rallonge fileté. Les SHV viennent avec un moteur NEMA JM standard.

## DONNÉES TECHNIQUES

Température maximale du liquide : 120 °C (250 °F)

Pression de service maximale : NPV — 900 kPa  
(125 lb/po<sup>2</sup>)

SHV — 1 500 kPa  
(230 lb/po<sup>2</sup>)

Démarrages par heure : 20, répartis uniformément

## INSTALLATION

**AVIS : L'APPAREIL NE PEUT ÊTRE INSTALLÉ QU'À LA VERTICALE, LE MOTEUR EN HAUT.**

L'appareil peut être monté directement sur le dessus du réservoir ou sur une plaque de fixation Goulds Water Technology optionnelle.

Les niveaux minimal et maximal du liquide doivent être maintenus pour que la pompe fonctionne correctement. Voir les détails dans les tables de dimensions.

Laisser assez d'espace pour l'entretien et l'aération de la pompe, que l'on protégera contre les inondations et le gel.

## TUYAUTERIE

Afin de réduire les pertes de charge (par frottement) au minimum, maintenir la tuyauterie aussi courte que possible, ne pas employer un calibre de tuyau inférieur à celui des orifices d'aspiration et de refoulement de la pompe ni utiliser d'accessoires ou de raccords de tuyauterie superflus.

La tuyauterie **DOIT** posséder ses propres supports et **NE PAS** appliquer de contraintes sur la pompe.

**AVIS : LA TUYAUTERIE DOIT ÊTRE POSÉE DE FAÇON À N'APPLIQUER AUCUNE CONTRAINTE SUR LES RACCORDS D'ASPIRATION ET DE REFOULEMENT DE LA POMPE.**

Chaque joint de tuyauterie **DOIT** être étanche. Enrouler les filets des raccords des NPV de 3 ou 4 couches de ruban de téflon<sup>MC</sup>.

Les raccords des SHV sont des brides à face surélevée ANSI 150 standard.

## TUYAUTERIE — ASPIRATION

L'installation type des NPV et SHV ne requiert pas de tuyauterie d'aspiration.

La distance minimale entre le fond du réservoir et l'orifice d'aspiration doit être de 2 po pour les NPV et de 4 po pour les SHV. Le réservoir doit toujours être exempt de débris.

N'employer un clapet de pied que s'il est nécessaire pour maintenir la pompe amorcée pendant les arrêts au cours desquels le liquide du réservoir ne remonte pas à un niveau minimal avant le redémarrage de la pompe. Voir les détails dans les tables de dimensions.

**AVIS : DANS CHAQUE CAS, LE COUSSINET DOIT ÊTRE IMMERGÉ AU DÉMARRAGE.**



Afin de prévenir les poches d'air, aucun élément de la tuyauterie d'aspiration ne devrait être plus haut que le raccord d'aspiration de la pompe.

## TUYAUTERIE — REFOULEMENT

Poser un clapet de non-retour convenant au débit et aux liquides pompés. En aval du clapet, installer un robinet-vanne de section de passage appropriée pour la régularisation du débit ainsi que l'inspection et l'entretien de la pompe.

## CÂBLAGE et MISE À LA TERRE



⚠ Installer la pompe, la mettre à la terre et la brancher suivant les prescriptions du code provincial ou national de l'électricité.

⚠ Poser un sectionneur tout conducteur près de la pompe.

- ⚠ Verrouiller le disjoncteur du circuit électrique de la pompe en position ouverte avant de procéder à l'installation ou à l'entretien de la pompe.
- ⚠ L'alimentation électrique **DOIT** être conforme aux spécifications de la plaque signalétique de la pompe. Une tension inappropriée peut causer un incendie ou des dommages au moteur et annule la garantie.
- ⚠ Les moteurs monophasés non protégés **DOIVENT** être munis de contacteurs et de dispositifs de protection contre les surcharges thermiques, et les moteurs triphasés, de démarreurs à dispositif de protection contre la surcharge. Consulter la plaque signalétique du moteur.

N'utiliser que du fil de cuivre torsadé pour la mise à la terre et l'alimentation du moteur. Le calibre du fil de terre **DOIT** être au moins égal à celui des fils d'alimentation du moteur. Les fils devraient tous être chromocodés pour faciliter l'entretien.

Suivre soigneusement le schéma de câblage sur la plaque signalétique ou le cache-bornes du moteur.



**OMETTRE LA MISE À LA TERRE PERMANENTE DE LA POMPE, DU MOTEUR ET DES COMMANDES AVANT LE BRANCHEMENT À LA SOURCE DE COURANT PEUT CAUSER UN CHOC ÉLECTRIQUE, DES BRÛLURES OU LA MORT.**

## SENS DE ROTATION

**AVIS : LA ROTATION DANS LE MAUVAIS SENS PEUT ENDOMMAGER LA POMPE ET ANNULE LA GARANTIE.**

La rotation appropriée est en **SENS HORAIRE**, vue de l'extrémité du moteur. Dans le cas des pompes montées sur réservoir, enlever l'obturateur ou le couvercle d'extrémité du moteur, puis mettre celui-ci en marche et l'arrêter aussitôt pour en vérifier le sens de rotation.

Pour inverser la rotation des moteurs triphasés, en intervertir deux des conducteurs.

## UTILISATION



**ÉCLABOUSSER OU PLONGER UN MOTEUR ABRITÉ (À OUVERTURES DE VENTILATION PROTÉGÉES) DANS UN LIQUIDE PEUT CAUSER UN INCENDIE, UN CHOC ÉLECTRIQUE, DES BRÛLURES, VOIRE LA MORT.**

**AVIS : LA POMPE DOIT ÊTRE BIEN AMORCÉE AVANT SA MISE EN SERVICE. NE PAS LA FAIRE FONCTIONNER À SEC POUR NE PAS EN ABÎMER LE COUSSINET.**

Faire fonctionner la pompe dans des conditions de service normales, attendre que le système se stabilise, puis vérifier la tuyauterie et en régler la position des supports au besoin.

## ENTRETIEN



**OMETTRE LE VERROUILLAGE DU DISJONCTEUR DU CIRCUIT ÉLECTRIQUE EN POSITION OUVERTE AVANT D'EFFECTUER TOUT TRAVAIL D'ENTRETIEN SUR LA POMPE PEUT CAUSER UN CHOC ÉLECTRIQUE, DES BRÛLURES OU LA MORT.**

Les roulements des moteurs sont lubrifiés à vie. Il est donc impossible et inutile de les lubrifier. Pour l'entretien, suivre les recommandations du fabricant du moteur.

Si les performances de la pompe se dégradent en raison de fuites excessives le long de l'arbre de pompe, vérifier si le coussinet, la bague de retenue et l'arbre-rallonge sont trop usés et les remplacer au besoin.

## ENTRETIEN SAISONNIER

Pour la **MISE HORS SERVICE** de la pompe, en ôter les bouchons pour que l'eau s'en échappe et vider la tuyauterie.

Pour la **REMISE EN SERVICE** de la pompe, en reposer les bouchons et la tuyauterie après avoir recouvert le filetage des raccords mâles de ruban de téflon<sup>MC</sup> dans le cas des NPV.

Voir la section « UTILISATION ».

## SÉRIE NPV — DÉMONTAGE

Suivre **CHAQUE** avertissement et directive de la section « ENTRETIEN ».

Bien que le démontage complet soit décrit ci-dessous, ne démonter que ce qui est approprié à l'entretien requis.

Enlever le double étrier ou la plaque de fixation de la pompe.

### TÊTE DE POMPAGE :

1. Déposer les boulons (5, 6) du corps de pompe.
2. Ôter le corps de pompe (1 ou 2) et son joint torique (4) de la plaque de fixation (7) de la pompe.
3. Enlever le diffuseur (3) et le joint torique de roue (21) — sur le modèle SL.
4. Immobiliser l'arbre-rallonge (12) par ses méplats avec une clé de  $\frac{3}{16}$  po insérée dans l'un des orifices du tube-support (11).

5. Dévisser (SENS ANTIHORAIRE) et enlever l'écrou de blocage (20) de la roue. On devra peut-être le chauffer au chalumeau d'abord.

**AVIS : PRENDRE GARDE DE NE PAS SE BRÛLER AVEC L'ÉCROU DE BLOCAGE.**

6. Dévisser la roue (16 ou 17) — en SENS ANTIHORAIRE, vu du devant de la pompe. Se protéger les mains avec un chiffon ou des gants.

**AVIS : LE TUBE-SUPPORT EST FILETÉ À GAUCHE.**

7. Déposer la plaque de fixation de la pompe en la dévissant du tube-support — en SENS HORAIRE, vu du devant de la pompe.
8. Ôter l'anneau élastique (13) de la plaque de fixation, puis extraire la bague de retenue (14).
9. Sortir le coussinet (15A, 15B) de son logement avec une presse à roulement ou à mandrin.
10. Dévisser le tube-support de la plaque de moteur (9) — en SENS HORAIRE, vu de l'extrémité ouverte du tube.
11. Déposer l'obturateur ou le couvercle d'extrémité du moteur pour atteindre les méplats ou la fente de blocage de l'arbre, à l'extrémité de ce dernier.
12. Immobiliser l'arbre avec l'outil approprié, puis dévisser (SENS ANTIHORAIRE) l'arbre-rallonge (12). Il faut parfois chauffer l'arbre-rallonge — mais pas l'arbre de moteur — pour pouvoir l'enlever.

**AVIS : PRENDRE GARDE DE NE PAS SE BRÛLER AVEC L'ARBRE-RALLONGE.**

**AVIS : VÉRIFIER SI LA BAGUE DE RETENUE, LE COUSSINET ET L'ARBRE-RALLONGE SONT TROP USÉS ET LES REMPLACER AU BESOIN.**

13. Déposer les vis (8) de fixation du moteur, puis la plaque de moteur.
14. Ôter le joint en U (23) de la plaque de moteur et le jeter.

### **SÉRIE NPV — REMONTAGE**

Chaque pièce devrait être nettoyée avant le remontage.

**AVIS : ON DEVRAIT REMPLACER TOUS LES JOINTS TORIQUES CHAQUE FOIS QUE L'APPAREIL EST DÉMONTÉ.**

1. Vérifier si l'arbre de pompe comporte un faux-rond : le faux-rond maximal admissible est de 0,002 po.
2. Poser un joint en U neuf sur la plaque de moteur, puis fixer celle-ci au moteur avec des vis (8), serrées à 15 lbf-pi.
3. Immobiliser l'arbre de moteur avec l'outil approprié. Appliquez le LOCTITE<sup>MD</sup> n° 7649 aux amorçages d'axe et laissez sécher. Appliquez du LOCTITE<sup>MD</sup> n° 243 sur les filets de l'arbre, puis y visser (SENS HORAIRE) l'arbre-rallonge.
4. Appliquez du LOCTITE<sup>MD</sup> n° 243 sur les filets du tube-support, puis visser (SENS ANTIHORAIRE) celui-ci à la plaque de moteur.
5. Poser le coussinet, la bague de retenue (avec du LOCTITE<sup>MD</sup> n° 243) et l'anneau élastique dans leur logement, sur la plaque de fixation de la pompe.
6. Visser (SENS ANTIHORAIRE) la plaque de fixation au tube-support.
7. Immobiliser l'arbre-rallonge avec une clé de 3/16 po, puis y visser (SENS HORAIRE) la roue. S'assurer que celle-ci est bien appuyée contre la butée de l'arbre.

8. Appliquez l'amorce du LOCTITE<sup>MD</sup> n° 7649 aux amorçages d'axe et aux amorçages de roue à aubes. Permettez à l'amorce de sécher. Mettre du LOCTITE<sup>MD</sup> n° 243 sur les filets de l'arbre-rallonge et y visser (SENS HORAIRE) l'écrou de blocage de la roue.

9. Sur les modèles SL seulement, poser le diffuseur et le joint torique de roue.

**AVIS : NE PAS LUBRIFIER LE JOINT TORIQUE DE ROUE. S'ASSURER QU'IL N'EST PAS PINCÉ ENTRE LA ROUE ET LE DIFFUSEUR.**

10. Poser le joint torique neuf du corps de pompe et le corps de pompe : serrer les boulons à 50 lbf-po.
11. Vérifier si la roue frotte ou est bloquée. Si c'est le cas, déplacer le corps de pompe pour centrer l'ouïe d'aspiration de la roue.
12. Le remontage est terminé.

### **SÉRIE SHV — DÉMONTAGE**

Suivre CHAQUE avertissement et directive de la section « ENTRETIEN ».

Bien que le démontage complet soit décrit ci-dessous, ne démonter que ce qui est approprié à l'entretien requis.

Déposer les boulons retenant la plaque de fixation au dessus du réservoir.

Sortir la pompe du réservoir au moyen d'un câble en nylon ou d'une chaîne, attachés au moteur.

Détacher la plaque de fixation de la pompe et la plaque-patte du moteur.

#### **TÊTE DE POMPAGE :**

**NOTA : AVANT DE DÉMONTER L'APPAREIL, NOTER LA POSITION DES ÉLÉMENTS TELS QUE LE CORPS DE POMPE, LA PLAQUE DE FIXATION DE LA POMPE, LA PLAQUE-PATTE DU MOTEUR ET LE TUBE-SUPPORT, L'UN PAR RAPPORT À L'AUTRE. AU REMONTAGE, LES CERCLES DE PERÇAGE DEVRONT ÊTRE PLACÉS AU MÊME ENDROIT POUR QUE L'ORIFICE DE REFOULEMENT SOIT DU CÔTÉ OPPOSÉ À LA PLAQUE-PATTE DU MOTEUR. IL EST PARFOIS UTILE DE MARQUER CES PIÈCES D'UNE LIGNE REPÈRE AVANT LE DÉMONTAGE.**

1. Ôter le corps de pompe (22) et son joint torique (21) de la plaque de fixation (12) de la pompe.
2. Immobiliser la roue, puis en dévisser (sens antihoraire) la vis de blocage (20) et l'enlever, ainsi que sa rondelle (19).
3. Déposer la roue (18) et sa clavette (17).
4. Enlever les trois vis assujettissant le tube-support (10) à la plaque de fixation de la pompe.
5. Saisir la plaque de fixation et la séparer avec précaution du tube-support, puis la mettre de côté.
6. Ôter l'anneau élastique (15) de la plaque de fixation, puis extraire la bague de retenue (14).
7. Sortir le coussinet (13A, 13B) avec précaution de son logement avec une presse à roulement ou à mandrin.
8. Enlever le manchon d'arbre (16, 16A) de l'arbre-rallonge (9).
9. Enlever les trois vis (11), puis séparer le tube-support de la plaque de moteur.

10. Immobiliser l'accouplement (6) par ses méplats avec une clé ouverte de 1½ po, puis dévisser (sens antihoraire) l'arbre-rallonge avec une autre clé ouverte de 1½ po.
11. Déposer la vis (8) et la rondelle (7) au moyen d'une douille et d'une clé réversible à rallonge.
12. Enlever l'accouplement et la clavette (5) de l'arbre de moteur.
13. Déposer les vis (11) retenant le moteur à la plaque de fixation (3) du moteur.
14. Enlever la plaque de fixation du moteur.
15. Ôter le joint en U (2) de la plaque de fixation.

**AVIS : VÉRIFIER SI LA BAGUE DE RETENUE, LE COUSSINET ET LE MANCHON D'ARBRE SONT TROP USÉS ET LES REMPLACER AU BESOIN.**

### **SÉRIE SHV — REMONTAGE**

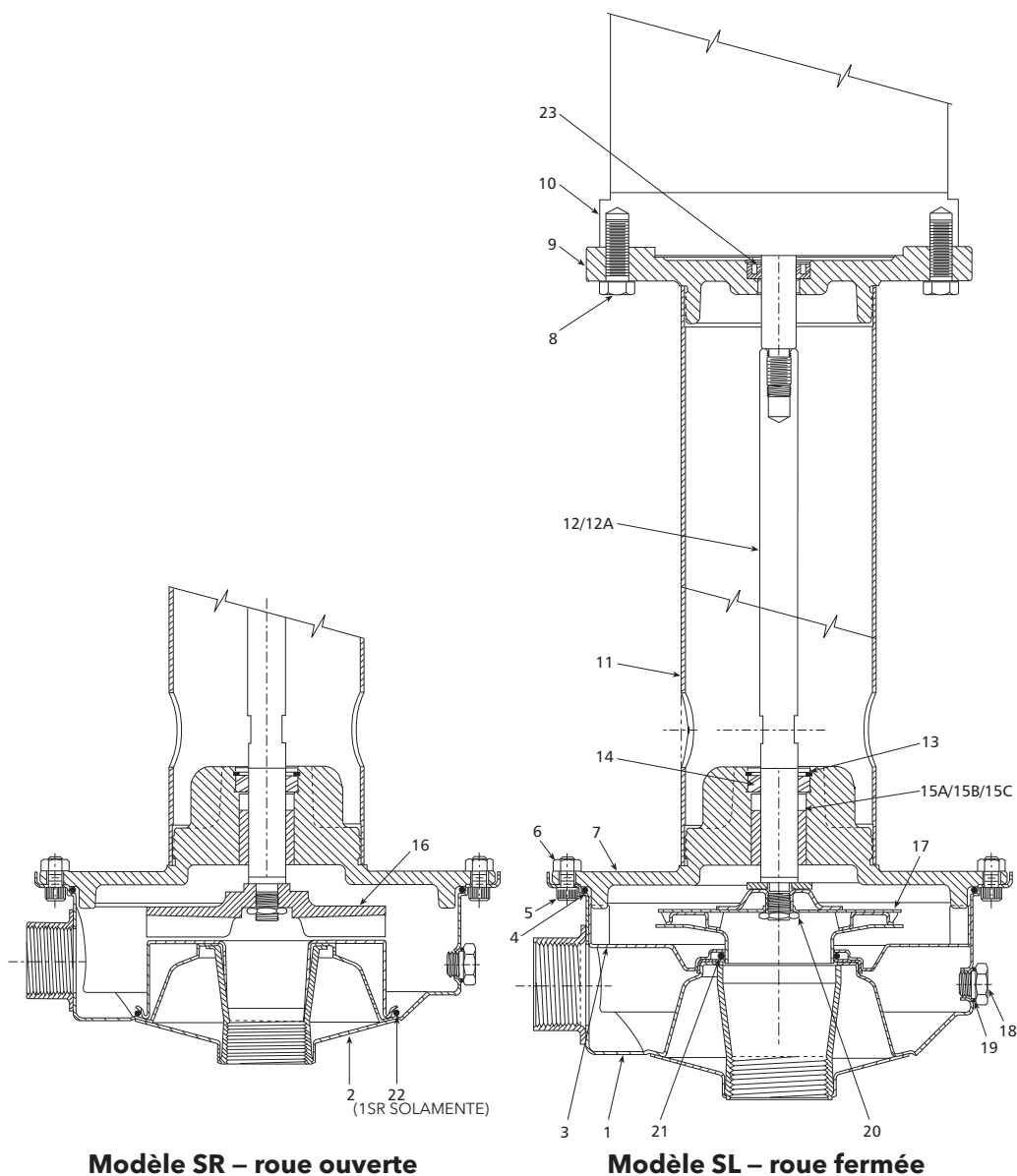
Chaque pièce devrait être nettoyée avant le remontage.

**AVIS : ON DEVRAIT REMPLACER TOUS LES JOINTS TORIQUES CHAQUE FOIS QUE L'APPAREIL EST DÉMONTÉ.**

1. Vérifier si l'arbre respecte les valeurs ci-dessous (étapes 2. à 4.) à l'aide des méthodes de mesure standard de la NEMA.
2. Le faux-rond maximal de l'arbre est de 0,002 po.
3. L'excentricité maximale de la feuillure de fixation (moteur-plaque de fixation du moteur) ne dépasse pas 0,004 po.
4. Le faux-rond maximal de la face axiale de la feuillure de fixation est de 0,004 po.
5. Poser un joint en U neuf sur la plaque de fixation du moteur, puis fixer celle-ci au moteur avec 4 vis.
6. Insérer la clavette de l'arbre de moteur dans son logement, poser ensuite l'accouplement sur l'arbre, puis assujettir l'accouplement avec sa rondelle et sa vis, serrée à 17 lbf·pi.

**NOTA : S'ASSURER QUE LE JOINT EN U RESTE À SA PLACE PENDANT LA POSE DE L'ACCOUPEMENT.**

7. Mettre 2 ou 3 gouttes de liquide frein pour filetages sur les filets de l'arbre-rallonge, puis visser celui-ci à fond à l'accouplement avec des clés ouvertes.
8. Poser le tube-support sur la plaque de fixation du moteur et l'assujettir avec 3 vis, freinées chacune avec 1 goutte de liquide frein et serrées à 17 lbf·pi.
9. Insérer le coussinet dans la plaque de fixation de la pompe avec une presse.
10. Poser la bague de retenue et l'anneau élastique dans leur logement, sur la plaque de fixation de la pompe.
11. Introduire l'arbre-rallonge avec soin dans la plaque de fixation en question et insérer celle-ci dans le tube-support.
12. Assujettir ensuite la plaque de fixation avec 3 vis, freinées chacune avec 1 goutte de liquide frein et serrées à 17 lbf·pi.
13. Verser une goutte de liquide frein pour filetages dans le manchon d'arbre, puis poser celui-ci sur l'arbre-rallonge.
14. Insérer la clavette de l'arbre-rallonge dans son logement, poser ensuite la roue sur l'arbre en question, puis assujettir la roue avec sa rondelle et sa vis de blocage, serrée à 17 lbf·pi.
15. Poser le joint torique neuf du corps de pompe et le corps de pompe sur la plaque de fixation de la pompe et assujettir le tout avec des vis, serrées en croix à 17 lbf·pi. S'assurer que le bouchon du corps de pompe est bien en place.
16. Vérifier si la roue peut tourner librement avant de mettre la pompe en marche.
17. Le remontage est terminé.

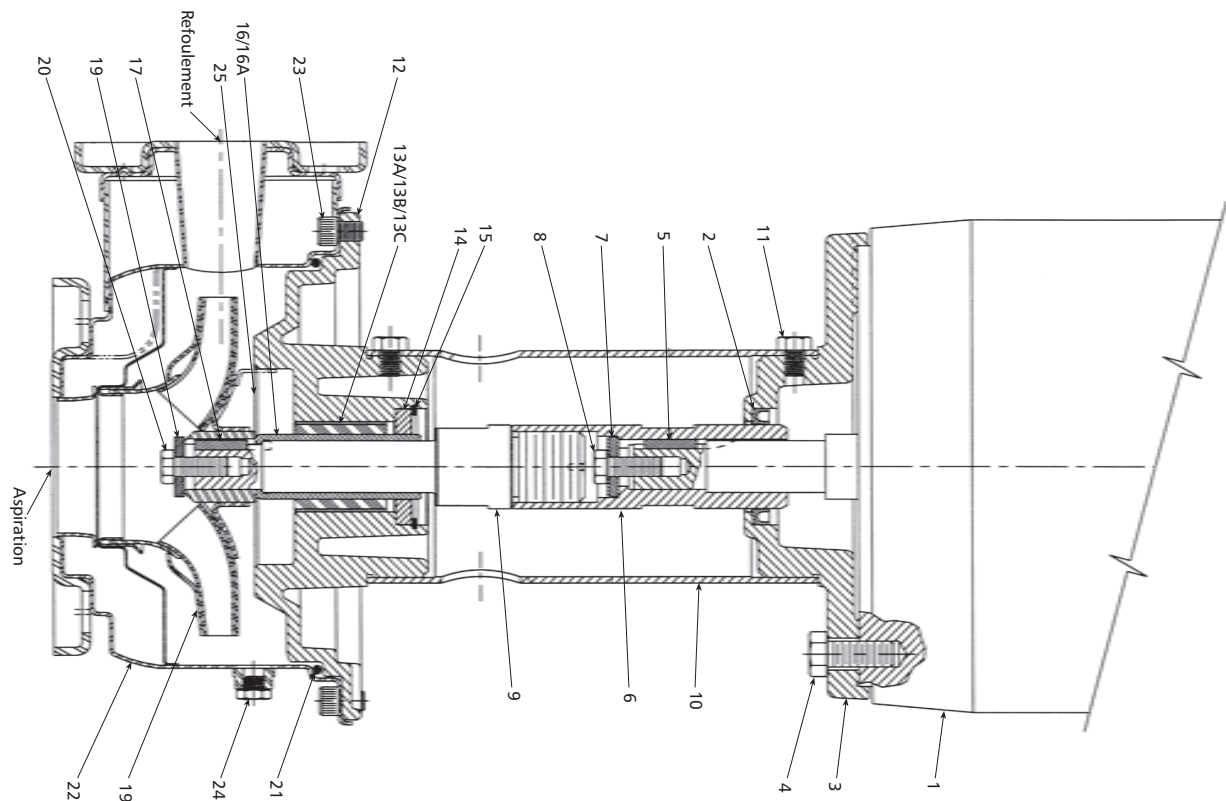


N° d'art.	Quantité	Description	Matériau
1	1	Corps de pompe (modèle SL)	Inox AISI 316
2	1	Corps de pompe (modèle SR)	
3	1	Diffuseur	
4	1	Joint torique (c. de pompe)	Viton, éthyl.-propyl.
5	8	Vis à chapeau à tête creuse	Inox AISI 304
6	8	Écrou hexagonal	
7	1	Plaque de fixation (pompe)	Inox AISI 303
8	4	Vis à tête hexagonale	Acier plaqué
9	1	Plaque de moteur	Fonte
10	1	Moteur	Sans objet
11	1	Tube-support	Inox AISI 304
12	1	Arbre-rallonge	Inox AISI 304
12A	1	Arbre-r. à revêt. céramique	Inox AISI 304

N° d'art.	Quantité	Description	Matériau
13	1	Anneau élastique	Inox
14	1	Bague de retenue	Inox Nitronic 60
15A	1	Coussinet	Viton
15B	1	Coussinet	Carbone
15C	1	Coussinet	Éthyl.-propyl.
16	1	Roue (modèle SR)	Inox AISI 316
17	1	Roue (modèle SL)	Inox AISI 316
18	1	Bouchon (vidange, air libre)	Inox AISI 316
19	2	Joint torique (bouchon)	Viton, éthyl.-propyl.
20	1	Écrou de blocage (roue)	Inox AISI 300
21	1	Joint torique (roue)	Viton, éthyl.-propyl.
22	1	Joint torique (c. de pompe)	Viton, éthyl.-propyl.
23	1	Joint en U	Téflon <sup>MC</sup>

Liste de composants

N° d'article	Quantité	Description	Matériau
1	1	Moteur	Sans objet
2	1	Joint en U	Téflon
3	1	Plaque de fixation du moteur	Fonte peinte
4	4	Vis (moteur)	Acier plaqué
5	1	Clavette (accouplement)	Acier
6	1	Accouplement	Inox, série 300
7	1	Rondelle (accouplement)	Inox, série 300
8	1	Vis (accouplement)	Inox, série 300
9	1	Arbre-rallonge	Inox, série 300
10	1	Tube-support	Inox, série 300
11	6	Vis (tube-support)	Inox, série 300
12	1	Plaque de fixation de la pompe	Inox, série 300
13A	1	Coussinet	Viton
13B	1	Coussinet	Carbone
13C	1	Coussinet	Éthylène-propylène
14	1	Bague de retenue	Inox, série 300
15	1	Anneau élastique	Inox, série 300
16	1	Manchon d'arbre	Inox, série 300
16A	1	Manchon d'arbre à revêtement céramique	Inox, série 300
17	1	Clavette (roue)	Inox, série 300
18	1	Roue	Inox 316
19	1	Rondelle (roue)	Inox, série 300
20	1	Vis de blocage (roue)	Inox, série 300
21	1	Joint torique	Viton
22	1	Corps de pompe	Inox 316
23	8	Vis (corps de pompe)	Inox, série 300
24	1	Bouchon	Inox, série 300
25	1	Plaque de butée	Inox, série 300



## DIAGNOSTIC DES ANOMALIES



OMETTRE LE VERROUILLAGE DU DISJONCTEUR DU CIRCUIT ÉLECTRIQUE EN POSITION OUVERTE AVANT D'EFFECTUER TOUT TRAVAIL D'ENTRETIEN SUR LA POMPE PEUT CAUSER UN CHOC ÉLECTRIQUE, DES BRÛLURES OU LA MORT.

### ANOMALIE

#### Non-fonctionnement du moteur

(V. causes probables 1 à 5)

#### Débit de refoulement faible ou nul

(V. causes probables 6 à 12)

#### Consommation d'énergie excessive

(V. causes probables 3, 12, 13 et 14)

#### Vibration et bruit excessifs

(V. causes probables 3, 6, 7, 10, 13, 15 et 16)

### CAUSE PROBABLE

1. Protecteur thermique du moteur déclenché
2. Disjoncteur ouvert ou fusible sauté
3. Roue bloquée
4. Moteur mal connecté
5. Moteur défectueux
6. Pompe non amorcée, air ou gaz présent dans le liquide pompé
7. Tuyau d'aspiration ou de refoulement obstrué ou robinet fermé
8. Mauvais sens de rotation (moteurs triphasés seulement)
9. Basse tension électrique ou perte de phase
10. Roue usée ou engorgée
11. Hauteur de charge du système trop élevée
12. Diamètre de roue inapproprié
13. Hauteur de refoulement trop faible : débit excessif
14. Viscosité ou densité trop élevées
15. Roulement(s) ou coussinet usé(s)
16. Pompe, moteur ou tuyauterie mal assujettis

## **Declaration of Conformity**

---

We at,  
Goulds Water Technology/Xylem Inc.  
1 Goulds Drive  
Auburn, NY 13021

Declare that the following products: NPE, MCS, MCC, 3656, 3656 SP, GB, e-SV, SVI, NPO, Prime Line SP, HB, HMS, LC, NPV, LB, LBS comply with Machine Directive 06/42/EC. This equipment is intended to be incorporated with machinery covered by this directive, but must not be put into service until the machinery into which it is to be incorporated has been declared in conformity with the actual provisions of the directive.

## **Declaración de Conformidad**

---

Nosotros en  
Goulds Water Technology/Xylem Inc.  
1 Goulds Drive  
Auburn, NY 13021

Declaramos que los siguientes productos: NPE, MCS, MCC, 3656, 3656 SP, GB, e-SV, SVI, NPO, Prime Line SP, HB, HMS, LC, NPV, LB, LBS cumplen con las Directivas para Maquinarias 06/42/EC. Este equipo ha sido diseñado para ser incorporado a la maquinaria cubierta por esta directiva pero no debe ponerse en funcionamiento hasta que se declare que la maquinaria en la que será incorporado cumple con las disposiciones reales de la directiva.

## **Déclaration de Conformité**

---

Nous, à  
Goulds Water Technology/Xylem Inc.  
1 Goulds Drive  
Auburn, NY, U.S.A. 13021,

déclarons que les produits NPE, MCS, MCC, 3656, 3656 SP, GB, e-SV, SVI, NPO, Prime Line SP, HB, HMS, LC, NPV, LB et LBS sont conformes à la directive 06/42/EC (législation relative aux machines). Ils sont destinés à être intégrés dans la machinerie faisant l'objet de ladite directive, mais ne doivent pas être mis en service tant que la machinerie en question ne sera pas déclarée conforme aux stipulations de la directive.

### GARANTIE LIMITÉE DE GOULDS WATER TECHNOLOGY

La présente garantie s'applique à chaque pompe de système d'alimentation en eau fabriquée par Goulds Water Technology.

Toute pièce se révélant défectueuse durant la période de garantie sera remplacée sans frais pour le détaillant durant ladite période, qui dure douze (12) mois à compter de la date d'installation ou dix-huit (18) mois à partir de la date de fabrication, soit la période qui expirera la première.

Le détaillant qui, aux termes de cette garantie, désire effectuer une demande de règlement doit s'adresser au distributeur Goulds Water Technology agréé chez lequel la pompe a été achetée et fournir tous les détails à l'appui de sa demande. Le distributeur est autorisé à régler toute demande par le biais du service à la clientèle de Goulds Water Technology.

**La garantie ne couvre pas :**

- a) les frais de main-d'oeuvre ou de transport ni les frais connexes encourus par le détaillant ;
- b) les frais de réinstallation de l'équipement réparé ;
- c) les frais de réinstallation de l'équipement de remplacement ;
- d) les dommages indirects de quelque nature que ce soit ;
- e) ni les pertes découlant de la panne.

**Aux fins de la présente garantie, les termes ci-dessous sont définis comme suit :**

- 1) "Distributeur" signifie une personne, une société de personnes, une société de capitaux, une association ou autre entité juridique servant d'intermédiaire entre Goulds Water Technology et le détaillant pour les achats, les consignations ou les contrats de vente des pompes en question.
- 2) "Détaillant" veut dire une personne, une société de personnes, une société de capitaux, une association ou autre entité juridique dont les activités commerciales sont la vente ou la location de pompes à des clients.
- 3) "Client" signifie une entité qui achète ou loue les pompes en question chez un détaillant. Un "client" peut être une personne, une société de personnes, une société de capitaux, une société à responsabilité limitée, une association ou autre entité juridique se livrant à quelque activité que ce soit.

**CETTE GARANTIE SE RAPPORTE AU DÉTAILLANT SEULEMENT.**



Xylem, Inc.  
2881 East Bayard Street Ext., Suite A  
Seneca Falls, NY 13148  
Téléphone: (800) 453-6777  
Télécopie: (888) 322-5877  
[www.xylem.com/brands/gouldswatertechnology](http://www.xylem.com/brands/gouldswatertechnology)

Goulds est une marque déposée de Goulds Pumps, Inc. et est utilisé sous le permis.  
© 2012, Xylem Inc. IM101 Révision numéro 4 Juillet 2012