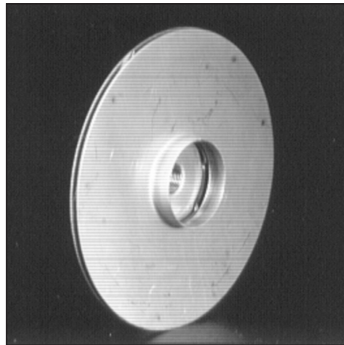


REPAIR PARTS

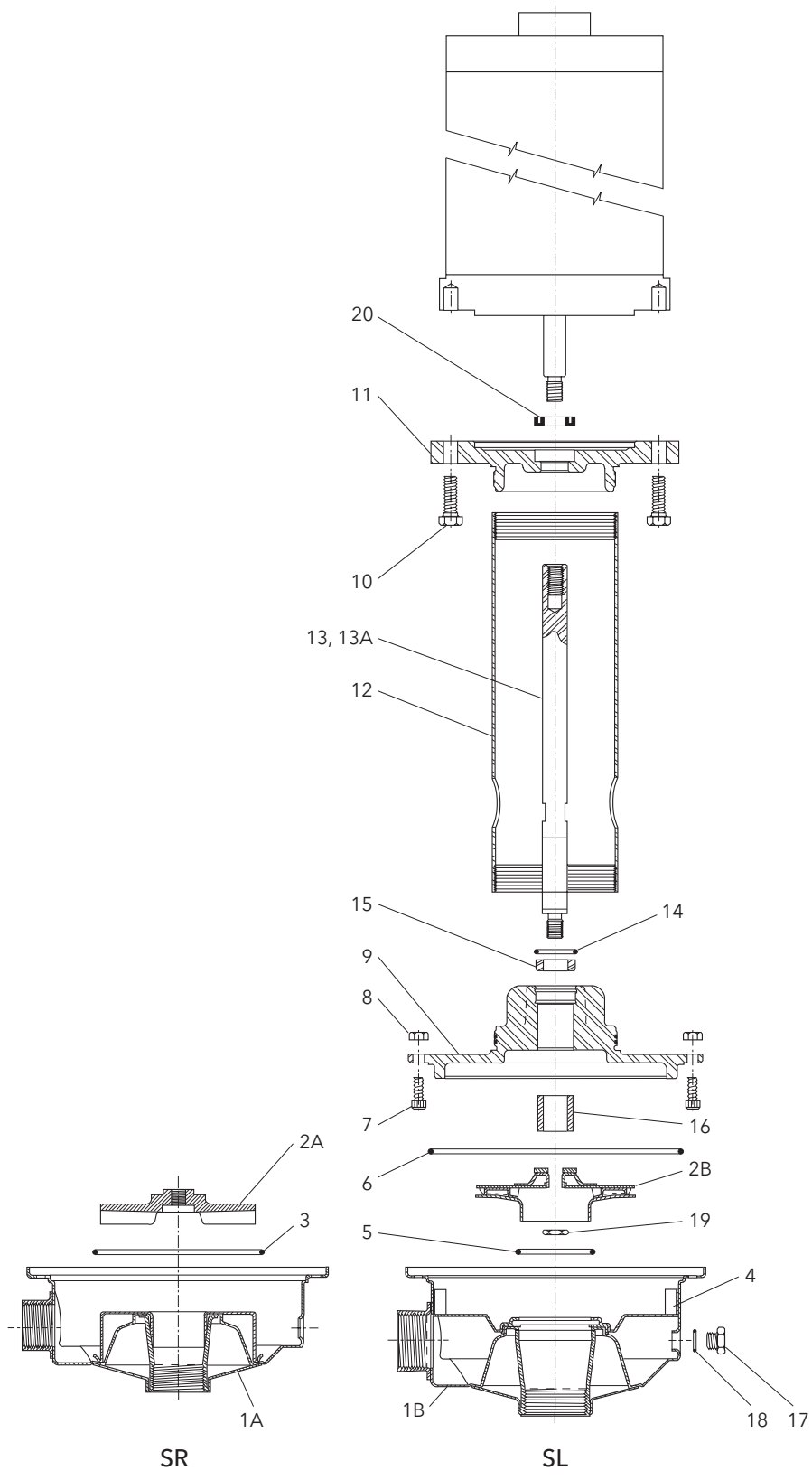
RNPV R1



NPV

VERTICALLY IMMERSED STAINLESS STEEL END SUCTION PUMP





BILL OF MATERIAL

Item	Description	Material	Quantity	Repair Parts Order No.			
SR ONLY	1A	Casing, pump SR	AISI 304 SS	1	1SR 1L499	2SR 1L440	3SR 1L441
	2A	Impeller (open)	AISI 316 SS	1	2K562 (3.00)	2L710 (3.44)	2L717 (3.75)
					2K561 (3.25)	2L709 (3.75)	2L716 (4.19)
					2K560 (3.50)	2L708 (4.06)	2L715 (4.44)
					2K559 (3.75)	2L707 (4.31)	2L714 (4.62)
					2K558 (4.00)	2L706 (4.62)	2L713 (4.94)
					2K557 (4.31)	2L705 (5.06)	2L712 (5.25)
2K710 (5.00)	2L704 (5.31)	2L711 (5.44)					
2K711 (5.38)	-	-					
3A	O-ring, internal casing	Viton	1	5L109	-	-	
3B	O-ring, internal casing	EPR		5K252	-	-	
SL ONLY	1B	Casing, pump SL	AISI 304 SS	1	1SL 1L81	2SL 1L82	3SL 1L83
	2B	Impeller Kit (closed) includes imp locknut	AISI 304 SS	1	2K1211 (4.06)	2K1212 (3.88)	2K1217 (3.63)
					2K1199 (4.44)	2K1213 (4.25)	2K1218 (4.06)
					2K1200 (4.75)	2K1214 (4.62)	2K1219 (4.38)
					2K1201 (5.19)	2K1215 (4.88)	2K1207 (4.62)
					2K1202 (5.75)	2K1204 (5.06)	2K1220 (4.75)
					2K1203 (6.13)	2K1216 (5.25)	2K1208 (5.00)
					-	2K1205 (5.50)	2K1209 (5.38)
	-	2K1206 (5.94)	-				
	4	Guidevane	AISI 304 SS	1	3L23	3L24	3L25
5A	O-ring, impeller	Viton	1	5L75	5L76	5L76	
5B	O-ring, impeller	EPR		5L81	5L82	5L82	
COMMON	6A	O-ring, casing	Viton	1	5K206		
	6B	O-ring, casing	EPR		5K193		
	7	¼ - 20NC - 2A x .50 long socket head cap screw	AISI 304 SS	8	13K268		
	8	¼ - 20NC hex nut	AISI 304 SS	8	13K269		
	9	Pump mounting plate	AISI 303 SS	1	1L502		
	10	⅜ - 16NC - 2A x 1.0 long hex head bolt	Plated Steel	4	13K194		
	11	Motor mounting plate	Cast Iron	1	1L503		
	12	Tube, support, 14 inch	AISI 304 SS	1	6K117		
		Tube, support, 24 inch			6K123		
	13	Shaft, 14 inch	AISI 304 SS	1	4K417		
		Shaft, 24 inch			4K428		
	13A	Shaft, 14 inch	AISI 304 SS	1	4K441		
		Shaft, 24 inch	Ceramic Coated		4K443		
	14	Snap ring	Stainless Steel	1	4K419		
	15	Bushing	Nitronic 60 Stainless	1	4K416		
	16	Bearing	Viton	1	7K474		
			Carbon (CTI 25)		4K418		
			EPR		7K1743		
	17	Plug, drain and vent	AISI 304 SS	2	6L3		
	18A	O-ring, drain and vent plug	Viton	1	5L99		
18B	O-ring, drain and vent plug	EPR	5L80				
19	Impeller locknut	300 Series SS	1	13K286 for SR models, 13K415 for SL models			
20	Seal, u-cup	Teflon	1	10K73			

Xylem |'zīləm|

- 1) The tissue in plants that brings water upward from the roots;
- 2) a leading global water technology company.

We're a global team unified in a common purpose: creating innovative solutions to meet our world's water needs. Developing new technologies that will improve the way water is used, conserved, and re-used in the future is central to our work. We move, treat, analyze, and return water to the environment, and we help people use water efficiently, in their homes, buildings, factories and farms. In more than 150 countries, we have strong, long-standing relationships with customers who know us for our powerful combination of leading product brands and applications expertise, backed by a legacy of innovation.

For more information on how Xylem can help you, go to www.xylem.com



Xylem Inc.
2881 East Bayard Street Ext., Suite A
Seneca Falls, NY 13148
Phone: (800) 453-6777
Fax: (888) 322-5877
www.gouldswatertechnology.com

Goulds is a registered trademark of Goulds Pumps, Inc. and is used under license.
© 2016 Xylem Inc. RNPV R1 February 2016