
Single Phase

Sump, Effluent and Sewage

INSTALLATION, OPERATION AND MAINTENANCE INSTRUCTIONS



TABLE OF CONTENTS

| SUBJECT | PAGE |
|--|-------------|
| Safety Instructions..... | 3 |
| Pre-Installation Information and Checks..... | 3 |
| Lifting of Pump..... | 4 |
| Optional Guide Rail or Lift-Out System..... | 4 |
| Piping..... | 4 |
| Wiring and Grounding..... | 4 |
| Selecting and Wiring Pump Control Panels and Switches..... | 4-5 |
| Installation in Sump without Slide Rails..... | 5 |
| Installation..... | 6 |
| Operation..... | 6 |
| Float Switch and Panel Chart..... | 7 |
| Engineering Data..... | 8 |
| Insulation Resistance Readings..... | 9 |
| Typical Installations and Simplex Wiring Diagrams..... | 9-10 |
| Trouble Shooting..... | 11 |
| Limited Warranty..... | 12 |

Owner's Information

Pump Model Number: _____

Pump Serial Number: _____

Control Model Number: _____

Dealer: _____

Dealer Phone No. _____

Date of Purchase: _____ Installation: _____

Current Readings at Startup:

1Ø

Amps: _____

Volts: _____

SAFETY INSTRUCTIONS

TO AVOID SERIOUS OR FATAL PERSONAL INJURY OR MAJOR PROPERTY DAMAGE, READ AND FOLLOW ALL SAFETY INSTRUCTIONS IN MANUAL AND ON PUMP.

THIS MANUAL IS INTENDED TO ASSIST IN THE INSTALLATION AND OPERATION OF THIS UNIT AND MUST BE KEPT WITH THE PUMP.



This is a **SAFETY ALERT SYMBOL**. When you see this symbol on the pump or in the manual, look for one of the following signal words and be alert to the potential for personal injury or property damage.



DANGER Warns of hazards that **WILL** cause serious personal injury, death or major property damage.



WARNING Warns of hazards that **CAN** cause serious personal injury, death or major property damage.



CAUTION Warns of hazards that **CAN** cause personal injury or property damage.

NOTICE: INDICATES SPECIAL INSTRUCTIONS WHICH ARE VERY IMPORTANT AND MUST BE FOLLOWED.

THOROUGHLY REVIEW ALL INSTRUCTIONS AND WARNINGS PRIOR TO PERFORMING ANY WORK ON THIS PUMP.

MAINTAIN ALL SAFETY DECALS.



WARNING All electrical work must be performed by a qualified technician. Always follow the National Electrical Code (NEC), or the Canadian Electrical Code, as well as all local, state and provincial codes. Code questions should be directed to your local electrical inspector. Failure to follow electrical codes and OSHA safety standards may result in personal injury or equipment damage. Failure to follow manufacturer's installation instructions may result in electrical shock, fire hazard, personal injury or death, damaged equipment, provide unsatisfactory performance, and may void manufacturer's warranty.



WARNING Pumps are not designed for use in swimming pools, open bodies of water, hazardous liquids, or where flammable gases exist. These fluids and gases may be present in containment areas. Tank or wetwell must be vented per local codes.

Only pumps specifically Listed for Class 1, Division 1 are allowable in hazardous liquids and where flammable gases may exist. *See specific pump catalog bulletins or pump nameplate for all agency Listings.*



WARNING Disconnect and lockout electrical power before installing or servicing any electrical equipment. Many pumps are equipped with automatic thermal overload protection which may allow an overheated pump to restart unexpectedly.

IMPORTANT PRE-INSTALLATION INFORMATION



The pump must be connected to a dedicated electrical circuit protected by a properly sized circuit breaker or fuses. Install a disconnect where required by code. Code questions should be directed to your electrical inspector.



Pumps and floats equipped with a 3-prong grounded plug must be connected to a 3-wire receptacle. Do not attach to extensions or connectors without a 3-prong grounded plug. **NOTE:** Removing the plug from the power cord is not allowable per NEC code. Removing the plug will void the agency listing.



CAUTION This pump has been evaluated for use with water only.



WARNING Risk of electric shock – this pump is supplied with a grounding conductor and grounding-type attachment plug. To reduce the risk of electric shock, be certain that it is connected only to a properly grounded, grounding-type receptacle.

GENERAL INFORMATION

Sump pumps are designed to operate intermittently and usually seasonally. It is recommended that you test the pump before your rainy season begins to insure that the pump and switch are operating properly.

We suggest installing a high water alarm system and a battery back-up pump system for finished basements or areas where flooding will cause property damage. A back-up generator is another option you can discuss with your pump installer. Most power outages occur during rain storms, just when you need your sump pump the most! Pump manufacturer's warranties cover only the pump. Labor and incidental damage such as flooding is not covered.

PRE-INSTALLATION CHECKS

Open all cartons and inspect for shipping damage. Report any damage to your supplier or shipping carrier immediately.

Important: Always verify that the pump nameplate Amps, Voltage, Phase, and HP ratings match your control panel and power supply.

Many of our sewage pumps are oil-filled. If there are any signs of oil leakage or if the unit has been stored for an extended period check the oil level in the motor dome and the seal housing, if so equipped.

Check the motor cover oil level through the pipe plug on top of the unit. The motor chamber oil should just cover the motor. Do not overfill, leave room for expansion!

If low, refill with an ASTM 150 turbine oil. Replace the plug.

Oil is available in 5 gallon cans through our distributors. You can also source oil locally at motor repair shops. Typical oil brands are: Shell Turbo 32, Sunoco Sunvis 932, Texaco Regal R&O 32, Exxon Nuto 32 and Mobil DTE Light.

Check the strain relief nut on power cable strain assemblies. Power cables should be torqued to 75 in. lbs. for #16 cables and 80 in. lbs. for all other cable assemblies.

Warranty does not cover damage caused by connecting pumps and controls to an incorrect power source (voltage/phase supply).

Record the model numbers and serial numbers from the pumps and control panel on the front of this instruction manual for future reference. Give it to the owner or affix it to the control panel when finished with the installation.

LIFTING OF PUMP



DO NOT LIFT, CARRY OR HANG PUMP BY THE ELECTRICAL CABLES. DAMAGE TO THE ELECTRICAL CABLES CAN CAUSE SHOCK, BURNS OR DEATH.

Lift the pump with an adequately sized chain or cable attached to the lifting eye bolt. **DO NOT** damage electrical and sensor cables while raising and lowering unit.

OPTIONAL GUIDE RAIL OR LIFT-OUT SYSTEM

In many effluent and sewage basins or lift stations it is advisable to install the pump on a guide rail system or on a lift-out adapter to facilitate installation and removal for inspection and/or service. Most codes do not allow personnel to enter a wetwell without the correct protective equipment and training. Guide rails are designed to allow easy removal of the pump without the need for entry into the wetwell or need to disturb piping. The guide rail or lift-out adapter should locate the pump opposite the influent opening preventing stagnate areas where solids can settle. The basin or pit must be capable of supporting the weight of the pump and guide rail. The pit floor must be flat.

NOTICE: FOLLOW THE INSTRUCTIONS THAT ARE PROVIDED WITH THE GUIDE RAIL ASSEMBLY.

PIPING

Discharge piping should be no smaller than the pump discharge diameter and kept as short as possible, avoiding unnecessary fittings to minimize friction losses.

Install an adequately sized check valve matched to the solids handling capability of the pump to prevent fluid backflow. Backflow can allow the pump to “turbine” backwards and may cause premature seal and/or bearing wear. If the pump is turning backwards when it is called on to start the increased torque may cause damage to the pump motor and/or motor shaft and some single-phase pumps may actually run backwards.

Install an adequately sized gate valve **AFTER** the check valve for pump, plumbing and check valve maintenance.

Important – Before pump installation. If pumping water, drill a 1/8” (3.2mm) relief hole. If pumping waste water containing solids, drill a 3/16” (4.8mm) relief hole in the discharge pipe. It should be located within the wetwell, 2” (51mm) above the pump discharge but below the check







valve. The relief hole allows any air to escape from the casing. Allowing liquid into the casing will insure that the pump can start when the liquid level rises. Unless a relief hole is provided, a bottom intake pump could “air lock” and will not pump water even though the impeller turns.


All piping must be adequately supported, so as not to impart any piping strain or loads on the pump.


The pit access cover must be of sufficient size to allow for inspection, maintenance and crane or hoist service.


WIRING AND GROUNDING

Important notice: Read Safety Instructions before proceeding with any wiring.

-  Use only stranded copper wire to pump/motor and ground. The ground wire must be at least as large as the power supply wires. Wires should be color coded for ease of maintenance and troubleshooting.
-  Install wire and ground according to the National Electrical Code (NEC), or the Canadian Electrical Code, as well as all local, state and provincial codes.
-  Install an all leg disconnect switch where required by code.
-  Disconnect and lockout electrical power before performing any service or installation.
-  The electrical supply voltage and phase must match all equipment requirements. Incorrect voltage or phase can cause fire, motor and control damage, and voids the warranty.
-  All splices must be waterproof. If using splice kits follow manufacturer’s instructions.

 **WARNING** Select the correct type and NEMA grade junction box for the application and location. The junction box must insure dry, safe wiring connections.

 **WARNING** Seal all controls from gases present which may damage electrical components.

 **WARNING** **FAILURE TO PERMANENTLY GROUND THE PUMP, MOTOR AND CONTROLS BEFORE CONNECTING TO POWER CAN CAUSE SHOCK, BURNS OR DEATH.**

SELECTING AND WIRING PUMP CONTROL PANELS AND SWITCHES

FLOAT SWITCH TYPES

There are three types of float switches typically used on single phase pumps; single action, vertical and wide angle.

Single action control switches can only be connected through a control panel. Connecting them directly to a pump will cause rapid cycling and may burn up the motor, and/or the motor start switch and/or the float switch. If using single action switches with a control panel please see the *Float Switch and Panel Section*.

Vertical mechanical float switches with piggyback plugs are available for single phase pumps. They are an ideal choice where there is limited space for a switch. They require less room than a wide angle switch because they travel in a vertical direction. Typical model numbers start with A2H...

Wide angle float switches are the most popular type. They can be directly connected to a pump or to a control panel. The “tether length” or the distance from the switch body to the pivot point controls the On and Off points and the amount pumped in one cycle. The pivot point is where the float is attached either to the pump or the discharge pipe. See Figures 1 - 5.

SETTING THE FLOAT SWITCHES

There are no absolute rules for where to set the float switches, it varies from job to job.

Suggested Rules to Follow:

All floats should be set below the Inlet pipe!

Off Float: Best: set so the water level is always above the top of the pump (motor dome). **Next Best:** set so the water level is not more than 6” below the top of the pump.

On Float: set so the volume of water between the On and Off floats allows pumps of 1½ HP and under to operate for 1 minute minimum. Two (2) HP and larger pumps should run a minimum of 2 minutes. Basin literature states the gallons of storage per inch of basin height.

Lag/Alarm Float(s): should be staggered above the Off and On floats. Try to use most of the available storage provided by the basin, save some space for reserve storage capacity. See Diagrams and Charts in Float Switch Chart Section.

PANEL WIRING DIAGRAMS

Our control panels are shipped with instructions and wiring diagrams. Use those instructions in conjunction with this IOM. Electrical installation should be performed only by qualified technicians. Any problem or questions pertaining to another brand control must be referred to that control supplier or manufacturer. Our technical people have no technical schematics or trouble shooting information for other companies’ controls.

ALARMS

We recommend the installation of an alarm on all Waste-water pump installations. Many standard control panels come equipped with alarm circuits. If a control panel is not used, a stand alone high liquid level alarm is available. The alarm alerts the owner of a high liquid level in the system so they can contact the appropriate service personnel to investigate the situation.

SINGLE PHASE PUMPS

Single phase (1Ø) pumps may be operated using a piggy-back or hard wired float switch, a contactor, or a Simplex or Duplex control panel. See Figures 1, 2 and 5.

All 1/3 and 1/2 HP, 115 or 230 volt pumps, and some 3/4 and 1 HP pumps, are supplied with plug style power cords. They may be plugged into piggyback float switches for simple installations. It is allowable to remove the plugs in order to hardwire or connect to a Simplex or Duplex controller. Removing the plug neither voids the warranty nor violates the agency Listings. See Figure 5.



PLUG-CONNECTED UNITS MUST BE CONNECTED TO A PROPERLY GROUNDED, GROUNDING TYPE RECEPTACLE.

ON NON-PLUG UNITS, DO NOT REMOVE CORD AND STRAIN RELIEF. DO NOT CONNECT CONDUIT TO PUMP.

Pumps with bare lead power cords can be hard-wired to a float switch, wired to a 1Ø contactor, a Simplex controller or a Duplex controller. Always verify that the float switch is rated for the maximum run amperage, maximum starting amperage, and the HP rating on the pump. Single-phase waste water pumps contain on-winding overloads, unless noted on the pump nameplate. See Figures 1 and 2.

SINGLE PHASE CONTROL PANELS:

Control panels are available as Simplex (controls 1 pump) or Duplex (controls 2 pumps). Our standard control panels are available with many standard features and can be built with our most popular options. We also custom build panels which offer many more design options than the standard panels. Custom control panels are available in many different configurations. Custom panel quote requests may be forwarded to Customer Service through any authorized distributor.

Our standard duplex panels feature a solid-state printed circuit board design with standard high level alarm circuits. Other standard features are: an auxiliary dry alarm contact for signaling a remote alarm and float switch position indicator lights. Most standard panels are in stock for immediate delivery.

INSTALLATION IN SUMP WITHOUT SLIDE RAILS

Is your basin sized correctly and the proper type for the location?

Diameter - It must be wide enough to allow the pump and switch to physically fit and provide room for the switch to operate freely. The vertical switch models typically require less diameter than the wide-angle float models. See “min. basin diameter” in Chart 1.

CAUTION **Depth** - It must be deeper than the minimum depth at which the switch turns the pump On. As an example, if the pump turns on at 15” you want to use a basin deeper than 15”. See “On level” in Chart 1.

WARNING **Style** - There are several sump basin styles available. The location of the sump determines if you require a cover and what type you require. It is important to keep debris from entering the sump and clogging the pump. An open sump in a traffic area such as a basement is dangerous. If children or pets will be playing in the area a bolt-on or child-proof cover is recommended.

The pump can be placed directly on the bottom of a poly or fiberglass sump basin or a concrete sump bottom. If the bottom is packed gravel the stones must be larger than 1/2” (13mm) in diameter and the pump should be placed on bricks for support.

After connecting the discharge pipe to the pump it can be lowered into the sump (basin). Always lower the pump by the handle and the pipe, never by the power cord. Place the pump against the basin wall so the switch is to the center. See “Installation Data”.

Check to insure all piping connections are tight. The pipes should be supported by fastening to floor joists or wall. This will prevent the pump from moving in the sump. If it moves the switch could get stuck and either keep the pump running or not let it turn on.

The power to the outlet should be Off at this point. The dedicated outlet should supply power only to the pump.

Our sump pumps have either a single power cord for pumps with built-in switches or two power cords for pumps with piggyback switches:

Built-In/Single Cord - plug the single power cord into a dedicated power outlet.

Piggyback/Two Power Cords - insert the piggyback switch male plug into a dedicated power outlet. You then plug the standard male pump plug into the back, female side, of the piggyback switch plug.

Fasten the power cords to the discharge pipes using tie wraps or electrical tape. Coil and store any excess power cord outside the sump.

INSTALLATION

STANDARD PUMP INSTALLATION

Connect the pump(s) to the guide rail pump adapters or to the discharge piping. Guide rail bases should be anchored to the wetwell floor.

Complete all wiring per the control panel wiring diagrams and NEC, Canadian, state, provincial and/or local codes.



DO NOT PLACE HANDS IN PUMP SUCTION WHILE CHECKING MOTOR ROTATION. TO DO SO WILL CAUSE SEVERE PERSONAL INJURY.

Lower the pump(s) into the wetwell.

Check to insure that the floats will operate freely and will not contact the piping.

PRE-PACKAGED SYSTEM INSTALLATION

Connect the piping per local codes and the drawings in Typical Drawings Section.

Sink Drain Systems – Inspect unit for damage. Return damaged units to the distributor. Install on solid, level ground. Hand tighten the piping into the Inlet. Connect the Discharge to the main drain line. The discharge should contain a union and a check valve. *See Typical Installation Drawing 2.*

Packaged Sewage Systems – Inspect unit for damage. Return damaged units to the distributor. Install on solid, level ground. Remove all tape from discharge pipe, vent hole, float switch and inlet. Check to insure that the float swings freely and is attached to the pump. Install the grommet in the inlet hole and lubricate it before installing the inlet pipe. Connect the vent per code. If installing outdoors protect the unit from freezing. Install a union and check valve per valve manufacturer's instructions. Install a gate valve on the discharge side of the check valve for plumbing maintenance. *See Typical Installation Drawing 1.*

OPERATION

Once the piping connections are made and checked you can run the pumps.

Piggyback Switch Operation – Plug the piggyback switch into a dedicated grounded outlet and then plug the pump into the switch. Test the pump by filling the wetwell until the pump goes On. If the pumps run but fail to pump, they are probably air locked, drill the relief holes per the instructions in the Piping Section.

Check the operating range to insure a minimum one minute run time and that the pump goes Off in the correct position. **Note:** Small package systems will normally have a fast ON-OFF cycle.

Control Panel Operation – Fill the wetwell with clear water.

Use the pump H-O-A (Hand-Off-Automatic) switches in Hand to test the pumps. If they operate well in Hand proceed to test Automatic operation. If the pumps run but fail to pump, they are probably air locked, drill the relief holes per the instructions in the Piping Section.

Place Control Panel switch(es) in Automatic position and thoroughly test the operation of the ON, OFF, and Alarm floats by filling the wetwell with clear water. **Important:** Failure to provide a Neutral from the power supply to a 1Ø, 230 volt Control Panel will not allow the panel control circuit to operate. The Neutral is necessary to complete the 115 volt control circuit.

Check voltage and amperage and record the data on the front of this manual for future reference. Compare the amperage readings to the pump nameplate maximum amperage. If higher than nameplate amperage investigate cause. Operating the pump off the curve, i.e. with too little head or with high or low voltage will increase amperage. The motor will operate properly with voltage not more than 10% above or below pump nameplate ratings. Performance within this range will not necessarily be the same as the published performance at the exact rated nameplate frequency and voltage. Correct the problem before proceeding.

Reset the Alarm circuit, place pump switch(es) in the Automatic position and Control Switch in ON position. The system is now ready for automatic operation.

Explain the operation of the pumps, controls and alarms to the end user. Leave the paperwork with the owner or at the control panel if in a dry, secure location.

FLOAT SWITCH AND PANEL CHART

The purpose of this chart is to show the required switch quantities and the function of each switch in a typical wastewater system. The quantities required vary depending on the switch type, single-action or wide-angle. Switch quantities also vary by panel type: simplex with and without alarms, and duplex with alarms.

Duplex Panels using single-action switches:

Three Float Panel Wiring

| | | |
|-----|--------|---------------------|
| SW1 | Bottom | Pumps Off |
| SW2 | Middle | 1st Pump On |
| SW3 | Top | 2nd Pump & Alarm On |

Four Float Panel Wiring ②

| | | |
|-----|--------|-------------|
| SW1 | Bottom | Pumps Off |
| SW2 | 2nd | 1st Pump On |
| SW3 | 3rd | 2nd Pump On |
| SW4 | Top | Alarm On |

Duplex Panels using wide-angle switches:

Three Float Panel Wiring

| | | |
|-----|--------|----------------------|
| SW1 | Bottom | 1st Pump On/Both Off |
| SW2 | Top | 2nd Pump & Alarm On |

Four Float Panel Wiring

| | | |
|-----|--------|----------------------|
| SW1 | Bottom | 1st Pump On/Both Off |
| SW2 | Middle | 2nd Pump On |
| SW3 | Top | Alarm On |

Simplex Panel using single-action switches:

Simplex Panel with Alarm ①

| | | |
|-----|--------|--------------|
| SW1 | Bottom | Pump Off |
| SW2 | Middle | Pump On |
| SW3 | Top | Alarm On/Off |

Simplex Panel with No Alarm

| | | |
|-----|--------|----------|
| SW1 | Bottom | Pump Off |
| SW2 | Top | Pump On |

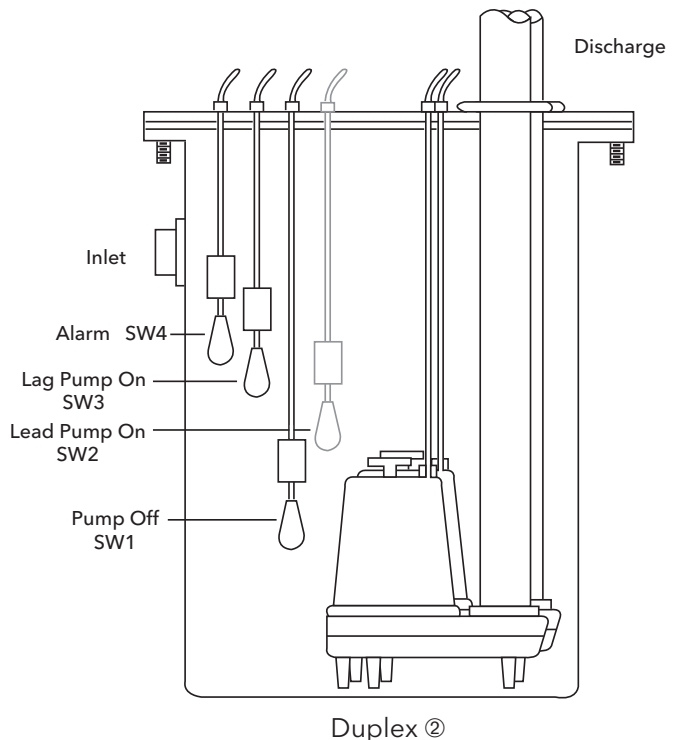
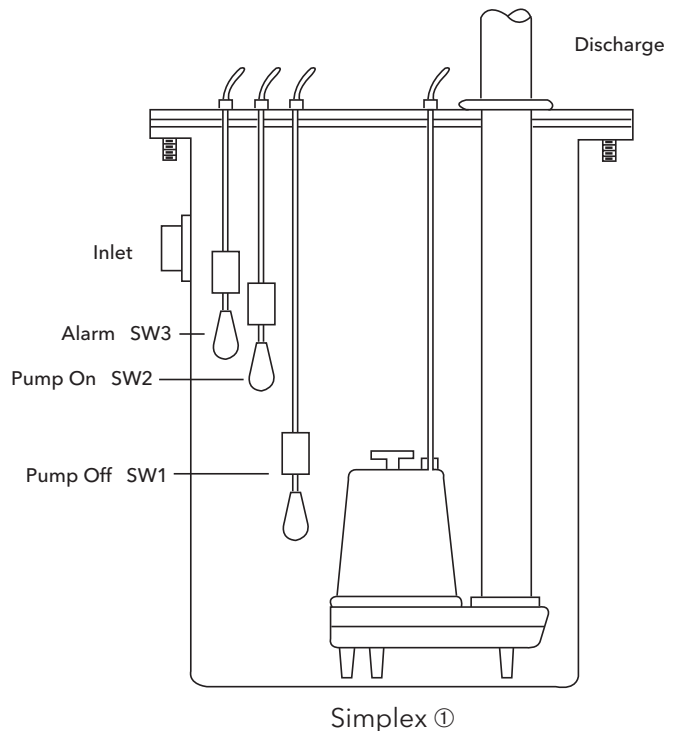
Simplex Panel using wide-angle switches:

Simplex Panel with Alarm

| | | |
|-----|--------|--------------|
| SW1 | Bottom | Pump On/Off |
| SW2 | Top | Alarm On/Off |

Simplex Panel with No Alarm

| | |
|-----|-------------|
| SW1 | Pump On/Off |
|-----|-------------|



ENGINEERING DATA

Engineering data for specific models may be found in your catalog and on our website (address is on the cover).

Control panel wiring diagrams are shipped with the control panels. Please use the control panel drawings in conjunction with this instruction manual to complete the wiring.

| PUMP OPERATION | | | |
|----------------------------|-----------------------|----------------------------------|--------------|
| Minimum Submergence | | Maximum Fluid Temperature | |
| Continuous Duty | Fully Submerged | Continuous Operation | 104° F 40° C |
| Intermittent Duty | 6" Below Top of Motor | Intermittent Operation | 140° F 60° C |

Pumpmaster and Pumpmaster Plus - Hard Wired

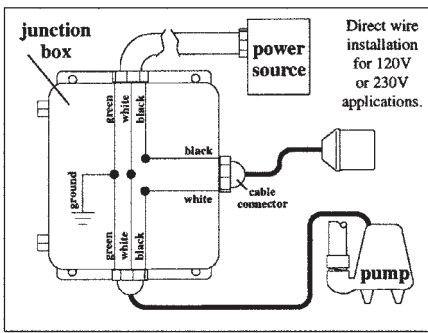


Figure 1

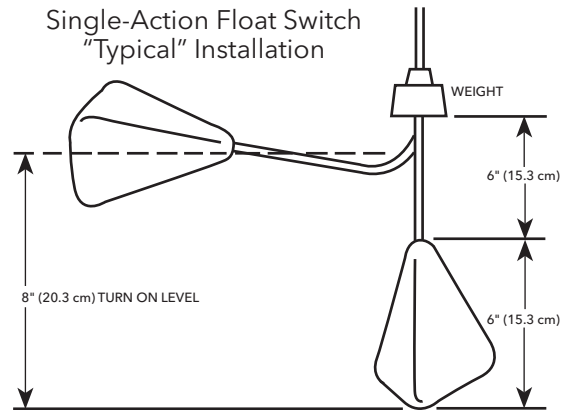


Figure 4

Double Float - Hard Wired

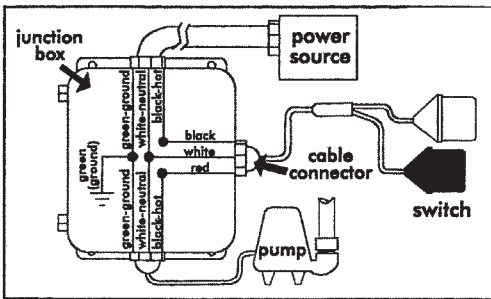


Figure 2

Wide-Angle Float Switch

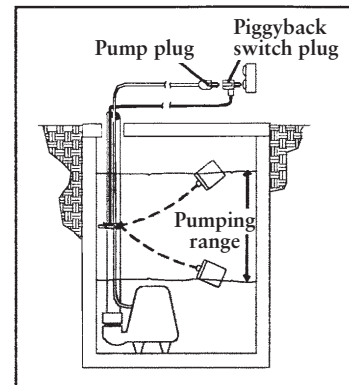


Figure 5

Determining Pumping Range

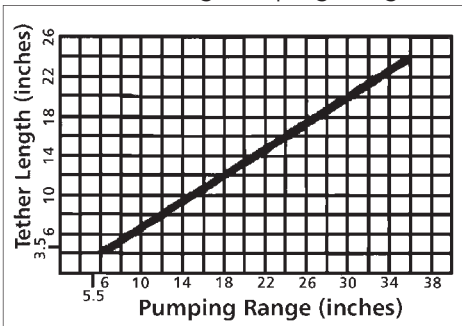


Figure 3

INSULATION RESISTANCE READINGS

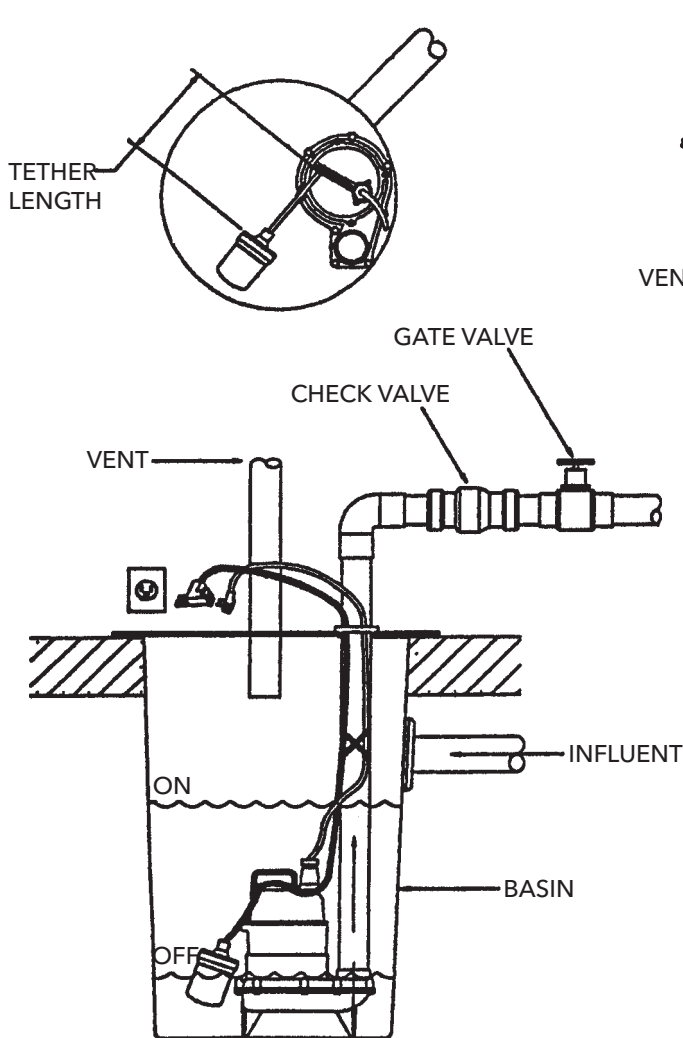
Normal Ohm and Megohm Values between all leads and ground

| Condition of Motor and Leads | Ohm Value | Megohm Value |
|---|----------------------|--------------|
| A new motor (without drop cable). | 20,000,000 (or more) | 20 (or more) |
| A used motor which can be reinstalled in well. | 10,000,000 (or more) | 10 (or more) |
| Motor in well. Readings are for drop cable plus motor. | | |
| New motor. | 2,000,000 (or more) | 2 (or more) |
| Motor in good condition. | 500,000 - 2,000,000 | .5 - 2 |
| Insulation damage, locate and repair. | Less than 500,000 | Less than .5 |

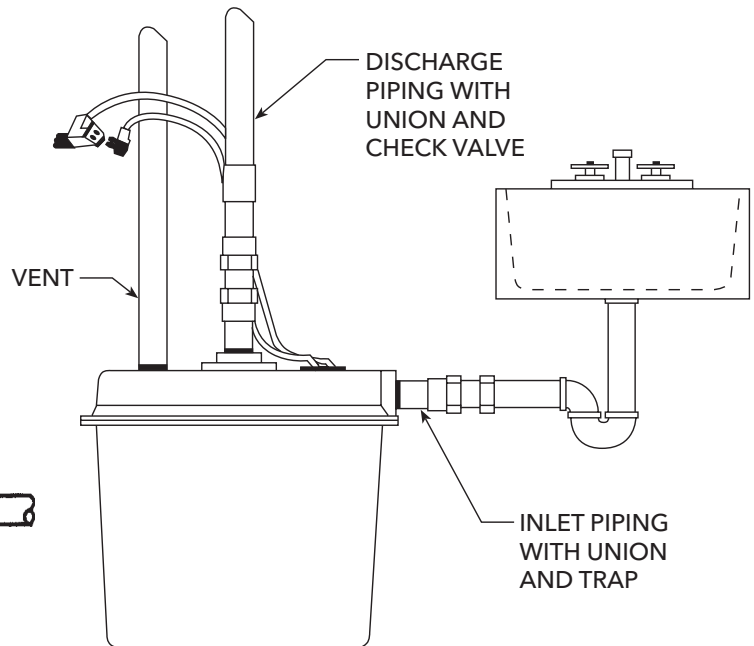
Insulation resistance varies very little with rating. Motors of all HP, voltage and phase ratings have similar values of insulation resistance.

Insulation resistance values above are based on readings taken with a megohmmeter with a 500V DC output. Readings may vary using a lower voltage ohmmeter, consult factory if readings are in question.

TYPICAL INSTALLATIONS



Drawing 1

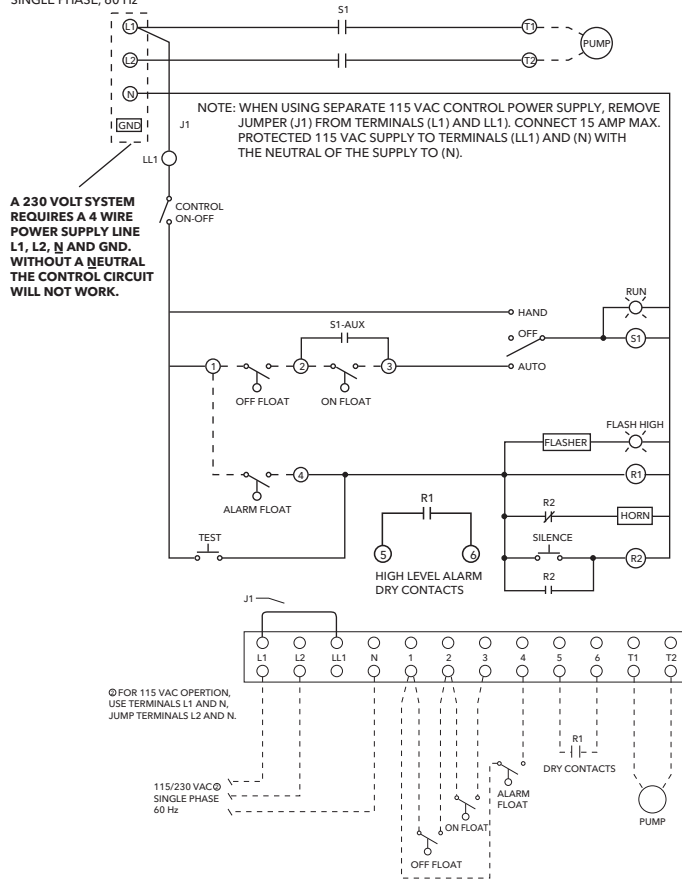


Drawing 2

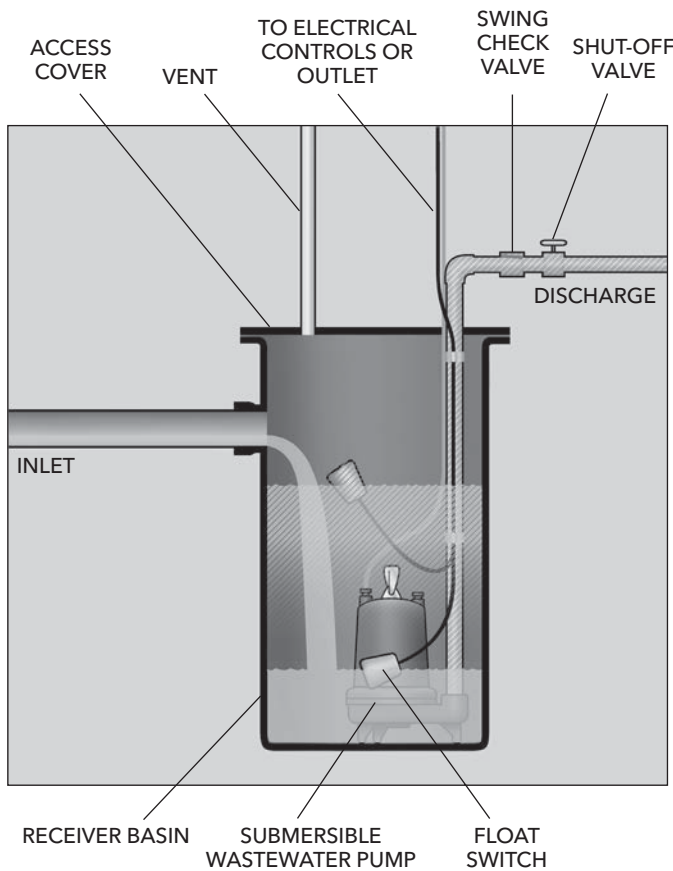
TYPICAL INSTALLATIONS (continued)

Simplex Single Phase Wiring Diagram S10020

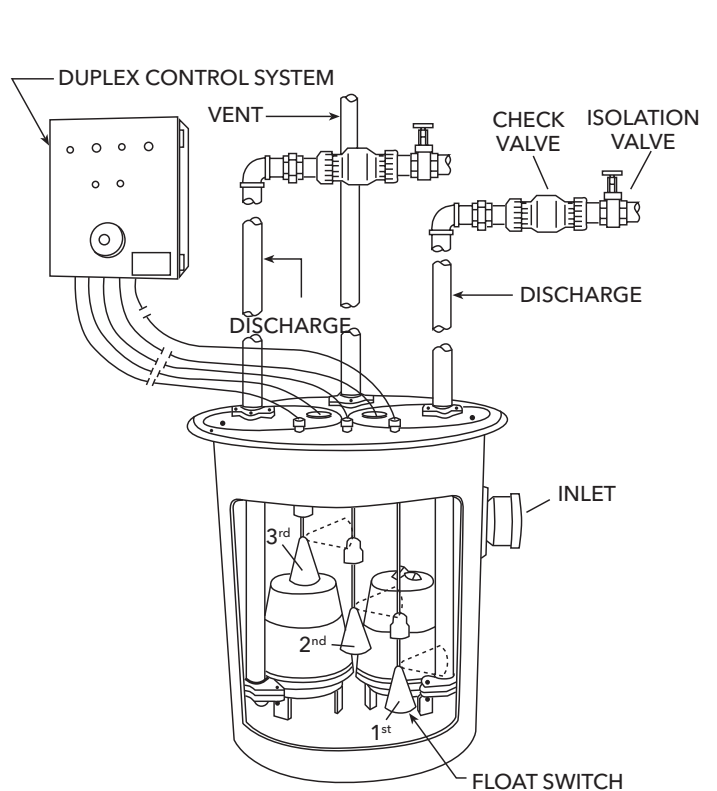
115/230 VAC (FOR 115 VAC, USE TERMINALS L1 AND N, JUMP L2 AND N).
SINGLE PHASE, 60 Hz



Typical Simplex Installation



Typical Duplex Installation



TROUBLESHOOTING



FAILURE TO DISCONNECT AND LOCKOUT ELECTRICAL POWER BEFORE ATTEMPTING ANY SERVICE CAN CAUSE SHOCK, BURNS OR DEATH.

| SYMPTOM | PROBABLE CAUSE | RECOMMENDED ACTION |
|--|--|--|
| MOTOR NOT RUNNING NOTE: If circuit breaker “OPENS” repeatedly, DO NOT reset. Call qualified electrician. a) Manual operation | Motor thermal protector tripped. | Allow motor to cool. Insure minimum pump submergence. Clear debris from casing and impeller. |
| | Open circuit breaker or blown fuse. Pump impeller binding or jammed. Power cable is damaged. Inadequate electrical connection in control panel. | Determine cause, call a qualified electrician. Check motor amp draw. If two or more times higher than listed on pump nameplate, impeller is locked, motor bearings or shaft is damaged. Clear debris from casing and impeller, consult with dealer. |
| b) Automatic operation NOTE: Check the pump in manual mode first to confirm operation. If pump operates, the automatic control or wiring is at fault. If pump does not operate, see above. | No neutral wire connected to control panel. Inadequate electrical connection in control panel. | Resistance between power leads and ground should read infinity. If any reading is incorrect, call a qualified electrician. Inspect control panel wiring. Call a qualified electrician. |
| | Defective liquid level switch. Insufficient liquid level to Liquid level cords tangled. | With switch disconnected, check continuity while activating liquid level switch. Replace switch, as required. Allow liquid level to rise 3” to 4” (76 mm - 101 mm) activate controls. above turn-on level. Untangle cords and insure free operation. |
| PUMP WILL NOT TURN OFF | Liquid level cords tangled. | Untangle cords and insure free operation. |
| | Pump is air locked. | Shut off pump for approximately one minute, then restart. Repeat until air lock clears. If air locking persists in a system with a check valve, a $\frac{3}{16}$ ” (4.8 mm) hole may be drilled in the discharge pipe approximately 2” (51 mm) above the discharge connection. |
| | Influent flow is matching pump’s discharge capacity. | Larger pump may be required. |
| LITTLE OR NO LIQUID DELIVERED BY PUMP | Check valve installed backwards, plugged or stuck closed. | Check flow arrow on valve and check valve operation. |
| | Excessive system head. | Consult with dealer. |
| | Pump inlet plugged. | Inspect and clear as required. |
| | Improper voltage or wired incorrectly. | Check pump rotation, voltage and wiring. Consult with qualified electrician. |
| | Pump is air locked. | See recommended action, above. |
| | Impeller is worn or damaged. | Inspect impeller, replace as required. |
| PUMP CYCLES CONSTANTLY | Liquid level controls defective or improperly positioned. | Inspect, readjust or replace as required. |
| | Discharge check valve inoperative. | Inspect, repair or replace as required. |
| | Sewage containment area too small. | Consult with dealer. |
| | Influent excessive for this size pump. | Consult with dealer. |

LIMITED CONSUMER WARRANTY

For goods sold for personal, family or household purposes, Seller warrants the goods purchased hereunder (with the exception of membranes, seals, gaskets, elastomer materials, coatings and other "wear parts" or consumables all of which are not warranted except as otherwise provided in the quotation or sales form) will be free from defects in material and workmanship for a period of one (1) year from the date of installation or eighteen (18) months from the product date code, whichever shall occur first, unless a longer period is provided by law or is specified in the product documentation (the "Warranty").

Except as otherwise required by law, Seller shall, at its option and at no cost to Buyer, either repair or replace any product which fails to conform with the Warranty provided Buyer gives written notice to Seller of any defects in material or workmanship within ten (10) days of the date when any defects or non-conformance are first manifest. Under either repair or replacement option, Seller shall not be obligated to remove or pay for the removal of the defective product or install or pay for the installation of the replaced or repaired product and Buyer shall be responsible for all other costs, including, but not limited to, service costs, shipping fees and expenses. Seller shall have sole discretion as to the method or means of repair or replacement. Buyer's failure to comply with Seller's repair or replacement directions shall terminate Seller's obligations under this Warranty and render this Warranty void. Any parts repaired or replaced under the Warranty are warranted only for the balance of the warranty period on the parts that were repaired or replaced. The Warranty is conditioned on Buyer giving written notice to Seller of any defects in material or workmanship of warranted goods within ten (10) days of the date when any defects are first manifest.

Seller shall have no warranty obligations to Buyer with respect to any product or parts of a product that have been: (a) repaired by third parties other than Seller or without Seller's written approval; (b) subject to misuse, misapplication, neglect, alteration, accident, or physical damage; (c) used in a manner contrary to Seller's instructions for installation, operation and maintenance; (d) damaged from ordinary wear and tear, corrosion, or chemical attack; (e) damaged due to abnormal conditions, vibration, failure to properly prime, or operation without flow; (f) damaged due to a defective power supply or improper electrical protection; or (g) damaged resulting from the use of accessory equipment not sold or approved by Seller. In any case of products not manufactured by Seller, there is no warranty from Seller; however, Seller will extend to Buyer any warranty received from Seller's supplier of such products.

Goulds Water Technology Policy Concerning Online Sales to Consumers. Homeowners using the Internet to locate information regarding residential water systems, residential wastewater systems, controls and tanks may discover several sites offering a direct-to-consumer purchasing opportunity. Residential water and wastewater systems are mission critical applications and are designed to be installed by qualified professionals. Goulds Water Technology has an extensive nationwide network of distributors and dealers, including authorized resellers. For a complete view of Goulds Water Technology recognized distributors, dealers and authorized resellers, please refer to our locator at: <http://goulds.com/sales-service/>

No warranty is offered on Goulds Water Technology equipment purchased over the Internet, including web-based options from unauthorized retailers. This policy is necessary to ensure that Goulds Water Technology equipment is installed properly, in compliance with applicable laws, rules and codes, in a manner that addresses safety concerns and the proper performance of Goulds Water Technology equipment.

THE FOREGOING WARRANTY IS PROVIDED IN PLACE OF ALL OTHER EXPRESS WARRANTIES. ALL IMPLIED WARRANTIES, INCLUDING BUT NOT LIMITED TO THE IMPLIED WARRANTIES OF MERCHANTABILITY AND FITNESS FOR A PARTICULAR PURPOSE, ARE LIMITED TO ONE (1) YEAR FROM THE DATE OF INSTALLATION OR EIGHTEEN (18) MONTHS FROM THE PRODUCT DATE CODE, WHICHEVER SHALL OCCUR FIRST. EXCEPT AS OTHERWISE REQUIRED BY LAW, BUYER'S EXCLUSIVE REMEDY AND SELLER'S AGGREGATE LIABILITY FOR BREACH OF ANY OF THE FOREGOING WARRANTIES ARE LIMITED TO REPAIRING OR REPLACING THE PRODUCT AND SHALL IN ALL CASES BE LIMITED TO THE AMOUNT PAID BY THE BUYER FOR THE DEFECTIVE PRODUCT. IN NO EVENT SHALL SELLER BE LIABLE FOR ANY OTHER FORM OF DAMAGES, WHETHER DIRECT, INDIRECT, LIQUIDATED, INCIDENTAL, CONSEQUENTIAL, PUNITIVE, EXEMPLARY OR SPECIAL DAMAGES, INCLUDING BUT NOT LIMITED TO LOSS OF PROFIT, LOSS OF ANTICIPATED SAVINGS OR REVENUE, LOSS OF INCOME, LOSS OF BUSINESS, LOSS OF PRODUCTION, LOSS OF OPPORTUNITY OR LOSS OF REPUTATION.

Some states do not allow limitations on how long an implied warranty lasts, so the above limitation may not apply to you. Some states do not allow the exclusion or limitation of incidental or consequential damages, so the above exclusions may not apply to you. This warranty gives you specific legal rights, and you may also have other rights which may vary from state to state.

To make a warranty claim, check first with the dealer from whom you purchased the product or visit www.xylem.com for the name and location of the nearest dealer providing warranty service.



Xylem Inc.
2881 East Bayard Street Ext., Suite A
Seneca Falls, NY 13148
Phone: (866) 325-4210
Fax: (888) 322-5877
www.gouldswatertechnology.com

Goulds is a registered trademark of Goulds Pumps, Inc. and is used under license.
© 2016 Xylem Inc. IM127 Revision Number 6 September 2016

Bombas Monofásicas

para sumidero, efluente y alcantarillado

INSTRUCCIONES DE INSTALACIÓN, FUNCIONAMIENTO Y MANTENIMIENTO



ÍNDICE

| TEMA | PÁGINA |
|--|--------|
| Instrucciones de seguridad..... | 15 |
| Verificaciones preliminares a la instalación..... | 15 |
| Levantamiento de la bomba..... | 16 |
| Riel corredizo o sistema de levantamiento opcional..... | 16 |
| Tuberías..... | 16 |
| Alambrado y conexión a tierra | 16 |
| Selección y cableado de los interruptores y paneles de control de la bomba | 17 |
| Instalación en estanque sin los carriles de la diapositiva | 18 |
| Instalación..... | 18 |
| Operación | 19 |
| Tabla del panel e interruptores de flotador..... | 20 |
| Datos de ingeniería..... | 21 |
| Lecturas de resistencia de la instalación | 22 |
| Instalaciones típicas y diagramas de cableado de la bomba de diseño simple | 22-23 |
| Identificación y resolución de problemas | 24 |
| Garantía limitada..... | 25 |

Información del propietario

Número de modelo de la bomba: _____

Número de serie de la bomba: _____

Número de modelo del control: _____

Agente: _____

No. telefónico del agente: _____

Fecha de compra: _____ Instalación: _____

Lecturas actuales en el momento de la puesta en marcha:

1Ø

Amperios: _____

Voltios: _____

INSTRUCCIONES DE SEGURIDAD

PARA EVITAR LESIONES PERSONALES GRAVES O AÚN FATALES Y SERIOS DAÑOS MATERIALES, LEA Y SIGA TODAS LAS INSTRUCCIONES DE SEGURIDAD EN EL MANUAL Y EN LA BOMBA.

ESTE MANUAL HA SIDO CREADO COMO UNA GUÍA PARA LA INSTALACIÓN Y OPERACIÓN DE ESTA UNIDAD Y SE DEBE CONSERVAR JUNTO A LA BOMBA.



Éste es un **SÍMBOLO DE ALERTA DE SEGURIDAD**. Cuando vea este símbolo en la bomba o en el manual, busque una de las siguientes palabras de señal y esté alerta a la probabilidad de lesiones personales o daños materiales.



PELIGRO Advierte los peligros que **CAUSARÁN** graves lesiones personales, la muerte o daños materiales mayores.



ADVERTENCIA Advierte los peligros que **PUEDEN** causar graves lesiones personales, la muerte o daños materiales mayores.



PRECAUCIÓN Advierte los peligros que **PUEDEN** causar lesiones personales o daños materiales.

AVISO: INDICA INSTRUCCIONES ESPECIALES QUE SON MUY IMPORTANTES Y QUE SE DEBEN SEGUIR.

EXAMINE BIEN TODAS LAS INSTRUCCIONES Y ADVERTENCIAS ANTES DE REALIZAR CUALQUIER TRABAJO EN ESTA BOMBA.

MANTENGA TODAS LAS CALCOMANÍAS DE SEGURIDAD.



ADVERTENCIA Todo el trabajo eléctrico debe ser realizado por un técnico calificado. Siempre siga el Código Eléctrico de EE.UU. (NEC) o el Código Eléctrico Canadiense, además de todos los códigos locales, estatales y provinciales. Las preguntas acerca del código deben ser dirigidas al inspector eléctrico local. Si se hace caso omiso a los códigos eléctricos y normas de seguridad de OSHA, se pueden producir lesiones personales o daños al equipo. Si se hace caso omiso a las instrucciones de instalación del fabricante, se puede producir electrochoque, peligro de incendio, lesiones personales o aún la muerte, daños al equipo, rendimiento insatisfactorio y podría anularse la garantía del fabricante.



ADVERTENCIA Las bombas no están diseñadas para usarse en albercas, masas abiertas de agua, líquidos peligrosos o donde existan gases inflamables. Estos fluidos y gases podrían estar presentes en áreas de contención. El tanque o pozo debe ser ventilado de acuerdo con los códigos locales.

En lugares con líquidos inflamables o donde pudiese haber gases inflamables sólo deben usarse bombas específicamente clasificadas para áreas de Clase 1, División 1. *Consulte los boletines de catálogos de bombas específicas o la placa de identificación de la bomba con respecto a las listas de agencias.*



ADVERTENCIA Desconecte y bloquee la corriente eléctrica antes de instalar o dar servicio a cualquier equipo eléctrico. Muchas bombas están equipadas con protección automática contra la sobrecarga térmica, la

cual podría permitir que una bomba demasiado caliente rearranque inesperadamente.

INFORMACIÓN IMPORTANTE DE PREINSTALACIÓN



La bomba debe conectarse a un circuito eléctrico dedicado protegido con un cortacircuitos o fusible del tamaño apropiado. Instale un desconectador cuando el código así lo requiera. Las preguntas acerca del código deben ser dirigidas al inspector eléctrico.



Las bombas y flotadores equipados con un enchufe de 3 clavijas conectado a tierra deben enchufarse a un receptáculo trifilar. No conecte a extensiones o conectores sin un enchufe de 3 clavijas conectado a tierra. **NOTA:** La eliminación del enchufe del cable eléctrico no es permisible por código del NEC. La eliminación del enchufe anulará el listado de la agencia.



PRECAUCIÓN Esta bomba ha sido evaluada solo para uso con agua.



ADVERTENCIA Riesgo de descarga eléctrica – esta bomba está provista con un conductor de conexión a tierra y enchufe accesorio del tipo para conexión a tierra. Para reducir el riesgo de descarga eléctrica, asegúrese de que sea conectado únicamente a un receptáculo del tipo para conexión a tierra, correctamente conectado a tierra.

INFORMACIÓN GENERAL

Las bombas para sumidero están diseñadas para funcionar intermitentemente y habitualmente por temporadas. Se recomienda que pruebe la bomba antes del comienzo de la estación lluviosa para asegurar que la bomba y el interruptor estén funcionando correctamente.

Sugerimos instalar un sistema de alarma por alto nivel de agua y un sistema de bomba de reserva a batería para sótanos habitables o áreas donde la inundación podría causar daños materiales. Un generador de reserva es otra opción que puede consultar con el instalador de la bomba. La mayoría de los cortes eléctricos ocurren durante temporales de lluvia, justo cuando necesita más su bomba para sumidero. Las garantías del fabricante de la bomba sólo cubren la bomba. La mano de obra y los daños y perjuicios imprevistos, tales como inundaciones, no están cubiertos.

VERIFICACIONES PRELIMINARES A LA INSTALACIÓN

Abra todas las cajas e inspeccione el equipo para determinar si se ocasionaron daños durante el envío. Notifique cualquier daño a su proveedor o a la compañía de transporte de inmediato.

Importante: Siempre verifique que las clasificaciones de corriente, tensión, fase y potencia en la placa de identificación de la bomba correspondan con las del panel de control y fuente de alimentación.

Muchas de nuestras bombas para alcantarillado están llenas con aceite. Si hay alguna señal de fuga de aceite o si la unidad estuvo almacenada durante largo tiempo, verifique el nivel de aceite en la cúpula del motor y la caja del sello, en caso de haberla.

Verifique el nivel de aceite de la cubierta del motor a través del tapón de la tubería en el extremo superior de la uni-

dad. El aceite en la cámara del motor debe cubrir apenas el motor. ¡No llene en exceso, deje espacio para expansión! Si el nivel está bajo, agregue aceite para turbinas ASTM 150. Reinstale el tapón.

Puede obtenerse aceite en latas de 5 galones de nuestros distribuidores. También puede obtener aceite a nivel local en talleres de reparación de motores. Las marcas típicas de aceite son: Shell Turbo 32, Sunoco Sunvis 932, Texaco Regal R&O 32, Exxon Nuto 32 y Mobil DTE Light.

Inspeccione la tuerca de alivio de tensión en los conjuntos de protección contra tirones de los cables de alimentación. Torsión de los cables de alimentación: 75 pulg.-lbs. para cables #16 y 80 pulg.-lbs. para todos los otros tipos de cable.

La garantía no cubre daños causados por conectar bombas y controles a la fuente de energía incorrecta (fuente de tensión/fase).

Anote los números de modelos y números de serie de las bombas y del panel de control en la sección delantera de este manual de instrucciones para referencia futura. Entregue el manual al propietario o adjúntelo al panel de control una vez finalizada la instalación.

LEVANTAMIENTO DE LA BOMBA



NO LEVANTE NI TRANSPORTE NI CUELQUE LA BOMBA DE LOS CABLES ELÉCTRICOS. EL DAÑO A LOS CABLES ELÉCTRICOS PUEDE PRODUCIR ELECTROCHOQUE, QUEMADURAS O AÚN LA MUERTE.

Levante la bomba con una cadena o cable de tamaño adecuado conectado al perno de ojo de levantamiento. NO dañe los cables eléctricos o de los sensores al subir y bajar la unidad.

RIEL CORREDIZO O SISTEMA DE LEVANTAMIENTO OPCIONAL

En muchos estanques de efluente y aguas negras o estaciones de levantamiento se recomienda instalar la bomba en un sistema de riel corredizo o sobre un adaptador de levantamiento para facilitar la instalación y retiro para inspección y/o servicio. La mayoría de los códigos no permite que el personal entre al pozo sin el equipo de protección y la capacitación correctos. Los rieles corredizos están diseñados para facilitar el retiro de la bomba sin necesidad de entrar al pozo o perturbar la tubería. El riel corredizo o el adaptador de levantamiento debe situar la bomba opuesta a la abertura para el líquido de entrada, evitando las áreas estancadas donde pudiesen asentarse sólidos. El estanque o fosa debe ser capaz de soportar el peso de la bomba y del riel de deslizamiento. El piso de la fosa debe ser plano.

AVISO: SIGA LAS INSTRUCCIONES INCLUIDAS CON EL CONJUNTO DEL RIEL CORREDIZO.

TUBERÍAS

La tubería de descarga no debe ser más pequeña que el diámetro de descarga de la bomba y debe mantenerse lo más corta posible, evitando los accesorios innecesarios para reducir al mínimo las pérdidas por fricción.

Instale una válvula de retención de tamaño adecuado que corresponda con la capacidad de manejo de sólidos de la bomba para evitar el contraflujo de fluido. El contraflujo puede hacer que la bomba “gire” en dirección inversa, produciendo un desgaste prematuro del sello y/o del cojinete. Si la bomba gira en sentido inverso al arrancar, el aumento de torsión puede dañar el motor y/o el eje del motor de la bomba y algunas bombas monofásicas hasta podrían funcionar en sentido inverso.

Instale una válvula de compuerta de tamaño adecuado **DESPUÉS** de la válvula de retención para facilitar el mantenimiento de la bomba, las tuberías y la válvula de retención.

Importante – antes de instalar la bomba. Si se va a bombear agua, perfore un orificio de alivio de $\frac{1}{8}$ pulg. (3.2 mm). Si se va a bombear agua residual con sólidos, perfore un orificio de alivio de $\frac{3}{16}$ pulg. (4.8 mm) en la tubería de descarga. Debe situarse dentro del pozo, a 2 pulg. (51 mm) sobre la descarga de la bomba, pero debajo de la válvula de retención. El orificio de alivio permite el escape de aire de la carcasa. Al permitir que entre líquido a la carcasa se asegura que la bomba pueda arrancar cuando el nivel de líquido aumente. A menos que se proporcione un orificio de alivio, una bomba de toma inferior podría “obstruirse con aire” y no bombear agua, a pesar de que el impulsor gire.

Todas las tuberías deben estar apoyadas correctamente, de modo que no se apliquen esfuerzos o cargas de las tuberías a la bomba.

La cubierta de acceso a la fosa debe ser de tamaño suficiente para permitir realizar el servicio de inspección, mantenimiento y levantamiento con grúa o montacargas.

ALAMBRADO y CONEXIÓN A TIERRA

Aviso importante: Lea las instrucciones de seguridad antes de proseguir con el cableado.

- ⚠ Use únicamente alambre trenzado de cobre para la bomba/motor y la conexión a tierra. El alambre de conexión a tierra debe ser al menos del mismo tamaño que los alambres de la fuente de alimentación. Los alambres deben codificarse con colores para facilitar el mantenimiento y la identificación y resolución de problemas.
- ⚠ Instale los cables y la conexión a tierra de acuerdo con el Código Eléctrico de EE.UU. (NEC) o el Código Eléctrico Canadiense, además de los códigos locales, estatales y provinciales.
- ⚠ Instale un desconector de todos los circuitos donde el código lo requiera.
- ⚠ Desconecte y bloquee la corriente eléctrica antes de instalar o dar servicio.
- ⚠ La tensión y fase de la fuente de alimentación debe corresponder con todos los requerimientos del equipo. La tensión o fase incorrecta puede producir incendio, daño al motor o a los controles y anula la garantía.
- ⚠ Todos los empalmes debe ser impermeables. Si utiliza juegos de empalme, siga las instrucciones del fabricante.

ADVERTENCIA Seleccione una caja de conexiones NEMA del tipo correcto para la aplicación y ubicación. La caja de conexiones debe garantizar conexiones de cableado seguras y secas.



Selle todos los controles de los gases presentes que pudiesen dañar los componentes eléctricos.



Tensión peligrosa

LA FALLA DE CONECTAR A TIERRA PERMANENTEMENTE LA BOMBA, EL MOTOR Y LOS CONTROLES, ANTES DE CONECTAR LA CORRIENTE ELÉCTRICA PUEDE CAUSAR ELECTROCHOQUE, QUEMADURAS O LA MUERTE.

SELECCIÓN Y CABLEADO DE LOS INTERRUPTORES Y PANELES DE CONTROL DE LA BOMBA

TIPOS DE INTERRUPTORES DE FLOTADOR

Hay tres tipos de interruptores de flotador de uso típico en las bombas monofásicas: de acción simple, vertical y de ángulo amplio.

Los interruptores de control de acción simple, sólo pueden conectarse a través de un panel de control. Si se conectan directamente a una bomba, se producirá un ciclado rápido y se podría quemar el motor y/o el interruptor de arranque del motor y/o el interruptor de flotador. Si se utilizan interruptores de acción simple con un panel de control, consulte la *Sección del Panel e Interruptor de flotador*.

Se ofrecen interruptores de flotador mecánicos verticales con enchufes en tándem para las bombas monofásicas. Son una selección ideal cuando hay espacio limitado para un interruptor. Requieren menos espacio que un interruptor de ángulo amplio ya que viajan en dirección vertical. Los números de modelos típicos comienzan con A2H ...

Los interruptores de flotador de ángulo amplio son el tipo más popular. Pueden conectarse directamente a una bomba o a un panel de control. El “largo de la traba” o la distancia entre el cuerpo del interruptor y el punto de pivote controla los puntos de encendido y apagado y la cantidad bombeada en un ciclo. El punto de pivote es donde el flotador va conectado ya sea a la bomba o a la tubería de descarga. *Consulte las figuras 1 a 5.*

INSTALACIÓN DE LOS INTERRUPTORES DE FLOTADOR

No hay reglas absolutas acerca de dónde instalar los interruptores de flotador, varía de trabajo a trabajo.

Reglas sugeridas a seguir: ¡Todos los flotadores deben instalarse debajo de la tubería de entrada!

Flotador de apagado: Primera preferencia: instálelo de manera que el nivel del agua quede siempre sobre el extremo superior de la bomba (cúpula del motor). **Segunda preferencia:** instálelo de manera que el nivel del agua quede a no más de 6 pulg. por debajo del extremo superior de la bomba.

Flotador de encendido: instálelo de manera que el volumen de agua entre los flotadores de encendido y apagado permita bombas de 1½ HP y menores funcionar al menos 1 minuto. Las bombas de dos (2) HP y mayores deben funcionar al menos 2 minutos. La literatura sobre estanques establece los galones de almacenaje por pulgada de altura del estanque.

Flotador(es) de retardo/alarma: deben escalonarse sobre los flotadores de apagado y encendido. Trate de utilizar la mayoría del almacenaje disponible ofrecido por el estanque, ahorre espacio para la capacidad de almacenaje

de reserva. *Consulte los diagramas y tablas en la Sección de Tablas de Interruptores de Flotador.*

DIAGRAMAS DE CABLEADO DEL PANEL

Nuestros paneles de control se envían con instrucciones y diagramas de cableado. Utilice dichas instrucciones en conjunto con este manual de instrucciones (IOM). La instalación eléctrica debe ser realizada por técnicos calificados únicamente. Cualquier problema o preguntas con respecto al control de otras marcas debe dirigirse a ese proveedor o al fabricante del control. Nuestro personal técnico no tiene diagramas esquemáticos técnicos o información de identificación y resolución de problemas de los controles de otras compañías.

ALARMAS

Recomendamos la instalación de una alarma en todas las bombas para aguas residuales. Muchos paneles de control estándar vienen equipados con circuitos de alarma. Si no se usa un panel de control, se ofrece una alarma por alto nivel de líquido independiente. La alarma alerta al propietario acerca de una situación de alto nivel de líquido en el sistema, de manera que pueda comunicarse con el personal de servicio apropiado para que investigue la situación.

BOMBAS MONOFÁSICAS

Las bombas monofásicas (1Ø) pueden operarse utilizando un interruptor de flotador en tándem o de conexión directa, un contactador o un panel de control simple o doble. *Ver las Figuras 1, 2 y 5.*

Todas las bombas del 1/3 y 1/2 HP, de 115 ó 230 voltios y algunas bombas de 3/4 y de 1 HP están equipadas con cables de alimentación estilo enchufe. Pueden enchufarse a interruptores de flotador en tándem para instalaciones sencillas. Se permite quitar los enchufes para conectar directamente o conectar a un controlador simple o doble. El retiro del enchufe no anula la garantía ni viola las aprobaciones de las agencias. *Ver la figura 5.*



LAS UNIDADES CON ENCHUFE DEBEN CONECTARSE A UN TOMACORRIENTES TIPO TIERRA CONECTADO CORRECTAMENTE A TIERRA.

EN EL CASO DE UNIDADES SIN ENCHUFE, NO quite el cable NI el protector contra TIRONES. NO CONECTE EL TUBO-CONDUCTO A LA BOMBA.

Las bombas con cables de alimentación con conductores desnudos pueden conectarse directamente a un interruptor de flotador, cablearse a un contactador de 1 fase, a un controlador simple o doble. Siempre verifique que el interruptor de flotador esté clasificado para el amperaje de funcionamiento máximo, amperaje de arranque máximo y la capacidad nominal de potencia de la bomba. Las bombas monofásicas para aguas residuales contienen sobrecargas de devanado de encendido, a menos que se especifique lo contrario en la placa de identificación de la bomba. *Ver las Figuras 1 y 2.*

PANELES DE CONTROL MONOFÁSICOS:

Los paneles de control pueden ser simples (controlan 1 bomba) o dobles (controlan 2 bombas). Nuestros paneles de control se ofrecen con muchas características estándar y pueden construirse con nuestras opciones más populares. También construimos paneles de acuerdo con las especificaciones del cliente, los cuales ofrecen muchas

más opciones que los paneles. Los paneles de control construidos de acuerdo con las especificaciones del cliente se ofrecen en muchas configuraciones diferentes. Las solicitudes de cotizaciones para paneles a la medida pueden enviarse a Servicio a los Clientes mediante nuestro distribuidor autorizado.

Nuestros paneles dobles presentan un diseño de tablero de circuito impreso de estado sólido con circuitos de alarmas de alto nivel estándar. Otras características estándar son: un contacto de alarma seco auxiliar para señalar una alarma remota y luces indicadoras de posición del interruptor de flotador. La mayoría de los paneles se mantienen en inventario para entrega inmediata.

INSTALACIÓN EN ESTANQUE SIN LOS CARRILES DE LA DIAPOSITIVA

¿Es el estanque del sumidero del tamaño y tipo correctos para la ubicación?

Diámetro – debe ser suficientemente ancho para permitir introducir la bomba y el interruptor y además dejar espacio para operar libremente el interruptor. Los modelos de interruptor vertical típicamente requieren menos diámetro que los modelos anchos de flotador angular. *Consulte el “diámetro mín. del estanque” en la Tabla 1.*

PRECAUCIÓN *Profundidad* – Debe ser más profundo que la profundidad mínima a la cual el interruptor enciende la bomba. Por ejemplo, si la bomba se enciende a 15 pulgadas, el estanque debe ser de más de 15 pulg. de profundidad. *Consulte el “Nivel de encendido” en la Tabla 1.*

ADVERTENCIA *Estilo* - Hay varios estilos de estanque de sumidero disponibles. La ubicación del sumidero determina si se requiere una cubierta y de qué tipo. Es importante impedir la entrada de residuos al sumidero ya que podrían obstruir la bomba. Un sumidero abierto en un área de mucho tráfico como un sótano es peligroso. Si el área es frecuentada por niños o animales domésticos, se recomienda una cubierta empernada o a prueba de niños.

La bomba puede colocarse directamente en el fondo de un estanque de sumidero de polietileno o fibra de vidrio, o en el fondo de un sumidero de concreto. Si el fondo es de grava compactada, la grava debe ser de más de 1/2 pulg. (13 mm) de diámetro y la bomba debe colocarse sobre un soporte de ladrillos.

Después de conectar la tubería de descarga a la bomba, ésta puede ser bajada al interior del sumidero (estanque). Siempre sujete la bomba de la manija y la tubería al bajarla, y nunca del cable de alimentación. Coloque la bomba contra la pared del estanque, de manera que el interruptor esté en el centro. *Consulte los “Datos de instalación”.*

Inspeccione para asegurar que todas las conexiones de tubería estén apretadas. Las tuberías deben apoyarse afianzándolas a las vigas del piso o a la pared. Esto impedirá que la bomba se mueva en el sumidero. Si se mueve, podría atascarse el interruptor y ya sea mantener a la bomba funcionando o no dejar que se encienda.

Por ahora, la corriente a la salida debe estar apagada. La salida dedicada debe suministrar electricidad a la bomba únicamente.

Nuestras bombas para sumidero tienen ya sea un solo cable de alimentación para bombas con interruptores incorporados o dos cables de alimentación con interruptores en tándem.

Interruptores incorporados / un solo cable – enchufe el cable de alimentación único a una salida de corriente dedicada.

Interruptores en tándem / cables de alimentación – introduzca el enchufe macho de los interruptores en tándem en una salida de corriente dedicada. Luego conecte el enchufe macho estándar de la bomba a la parte trasera, lado hembra, del enchufe de los interruptores en tándem.

Afiance los cables de alimentación a las tuberías de descarga con amarras o cinta aislante. Enrolle y guarde el exceso de cable de alimentación fuera del sumidero.

INSTALACIÓN

INSTALACIÓN DE BOMBA ESTÁNDAR

Conecte la(s) bomba(s) a los adaptadores de riel corredizo o a la tubería de descarga. Las bases del riel corredizo deben anclarse al piso del pozo.

Todas las conexiones deben realizarse de acuerdo con los diagramas de cableado del panel de control, el código eléctrico de EE.UU., el código canadiense y los códigos estatales, provinciales y/o locales.



NO COLOQUE LAS MANOS EN LA SUCCIÓN DE LA BOMBA MIENTRAS VERIFICA LA ROTACIÓN DEL MOTOR. EL HACERLO PRODUCIRÁ GRAVES LESIONES PERSONALES.

Baje la(s) bomba(s) al pozo. Inspeccione para verificar que los flotadores funcionen libremente y que no hagan contacto con la tubería.

INSTALACIÓN DEL SISTEMA PREEMPACADO

Conecte las tuberías de acuerdo con los códigos locales y los dibujos en la Sección de Dibujos Típicos.

Sistemas del dren del fregadero – inspeccione la unidad para verificar que no esté dañada. Devuelva las unidades dañadas al distribuidor. Instale sobre suelo sólido y nivelado. Apriete con la mano la tubería en la conexión de entrada. Conecte la descarga a la línea de drenaje principal. La descarga debe contener una unión y una válvula de descarga. *Ver el Dibujo 2 de Instalación Típica.*

Sistemas en bloque – Inspeccione la unidad para determinar si está dañada. Devuelva las unidades dañadas al distribuidor. Instale sobre suelo sólido y nivelado. Quite toda la cinta de la tubería de descarga, orificio de ventilación, interruptor de flotador y entrada. Inspeccione para verificar que el flotador gire libremente y que esté conectado a la bomba. Instale el pasacables en la Entrada y lubríquelo antes de instalar la tubería de descarga. Conecte el orificio de ventilación de acuerdo con el código. Si lo está instalando afuera, protéjalo contra la congelación. Instale una unión y válvula de retención de acuerdo con las instrucciones del fabricante de la válvula. Instale una válvula de compuerta en el lado de descarga de la válvula de retención para realizar actividades de mantenimiento de las tuberías. *Ver el Dibujo 1 de Instalación Típica.*

OPERACIÓN

Una vez que se hayan hecho y verificado las conexiones de las tuberías, se pueden poner en funcionamiento las bombas.

Operación de interruptor en tándem – Enchufe el interruptor en tándem a un tomacorrientes dedicado conectado a tierra y luego enchufe la bomba al interruptor. Pruebe la bomba llenando el pozo hasta que la bomba se active. Si las bombas funcionan pero no bombean, probablemente estén obstruidas con aire; perfore los orificios de alivio de acuerdo con las instrucciones en la Sección de Tuberías.

Verifique el intervalo de operación para asegurar un tiempo de funcionamiento mínimo de un minuto y que la bomba se apague en la posición correcta. **Nota:** Los sistemas independientes pequeños normalmente tendrán un ciclo de ENCENDIDO-APAGADO rápido.

Operación del panel de control – Llene el pozo con agua limpia.

Utilice los interruptores H-O-A (manual – apagado – automático) de la bomba en la posición manual para probar las bombas. Si funcionan bien en la posición manual, pruebe la posición automática. Si las bombas funcionan pero no bombean, probablemente estén obstruidas con aire; perfore los orificios de alivio de acuerdo con las instrucciones en la Sección de Tuberías.

Coloque el (los) interruptor(es) del panel de control en la posición automática y pruebe minuciosamente el funcionamiento de los flotadores de ENCENDIDO, APAGADO y alarma llenando el pozo con agua limpia. **Importante:** Si no se proporciona un neutro desde la fuente de alimentación a un panel de control monofásico de 230 voltios, el circuito de control del panel no operará. Es necesario el neutro para completar el circuito de control de 115 voltios.

Verifique la tensión y la corriente y anote los datos en la sección delantera de este manual para referencia futura. Compare las lecturas de amperaje con el amperaje máximo indicado en la placa de identificación de la bomba. Si es más alto que el amperaje de la placa de identificación, investigue la causa. Si la bomba se hace funcionar fuera de la curva; es decir, con demasiado poca carga o con tensión alta o baja, aumentará el amperaje. El motor funcionará correctamente con tensión no más de un 10% por encima o por debajo de las clasificaciones en la placa de identificación de la bomba. El rendimiento dentro de este rango no será necesariamente igual al rendimiento publicado a la frecuencia y tensión exactas indicadas en la placa de identificación. Corrija el problema antes de continuar.

Reposicione el circuito de alarma, coloque el (los) interruptor(es) de la bomba en posición automática y el interruptor de control en la posición de encendido. Ahora la unidad está lista para la operación automática.

Explique la operación de las bombas, controles y alarmas al usuario final. Entregue la documentación al propietario o déjela en un lugar seco y seguro en el panel de control.

TABLA DEL PANEL E INTERRUPTORES DE FLOTADOR

El propósito de esta tabla es mostrar las cantidades de interruptores requeridas y la función de cada interruptor en un sistema de aguas residuales típicas. Las cantidades requeridas varían dependiendo del tipo de interruptor: de acción simple o de ángulo amplio. Las cantidades de interruptores varían también de acuerdo con el tipo de panel: simple con y sin alarmas y doble con alarmas.

Paneles dobles utilizando interruptores de acción simple:

Cableado del panel de tres flotadores

| | | |
|-----|------------------|-----------------------------------|
| SW1 | Fondo | Bombas apagadas |
| SW2 | Medio | Primera bomba encendida |
| SW3 | Extremo superior | Segunda bomba y alarma encendidas |

Cableado del panel de cuatro flotadores ②

| | | |
|-----|------------------|-------------------------|
| SW1 | Fondo | Bombas apagadas |
| SW2 | Segundo | Primera bomba encendida |
| SW3 | Tercero | Segunda bomba encendida |
| SW4 | Extremo superior | Alarma encendida |

Paneles dobles utilizando interruptores de ángulo amplio:

Cableado del panel de tres flotadores

| | | |
|-----|------------------|--|
| SW1 | Fondo | Primera bomba encendida/ ambas apagadas |
| SW2 | Extremo superior | Segunda bomba y alarma encendidas |

Cableado del panel de cuatro flotadores

| | | |
|-----|------------------|--|
| SW1 | Fondo | Primera bomba encendida/ ambas apagadas |
| SW2 | Medio | Segunda bomba encendida |
| SW3 | Extremo superior | Alarma encendida |

Paneles simples utilizando interruptores de acción simple:

Panel simple con alarma ①

| | | |
|-----|------------------|--------------------------|
| SW1 | Fondo | Bomba apagada |
| SW2 | Medio | Bomba encendida |
| SW3 | Extremo superior | Alarma encendida/apagada |

Panel simple sin alarma

| | | |
|-----|------------------|-----------------|
| SW1 | Fondo | Bomba apagada |
| SW2 | Extremo superior | Bomba encendida |

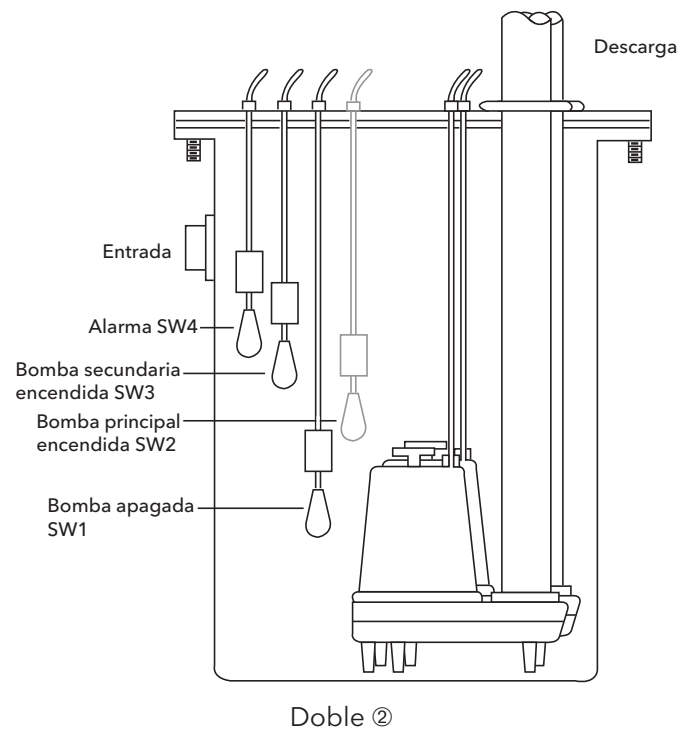
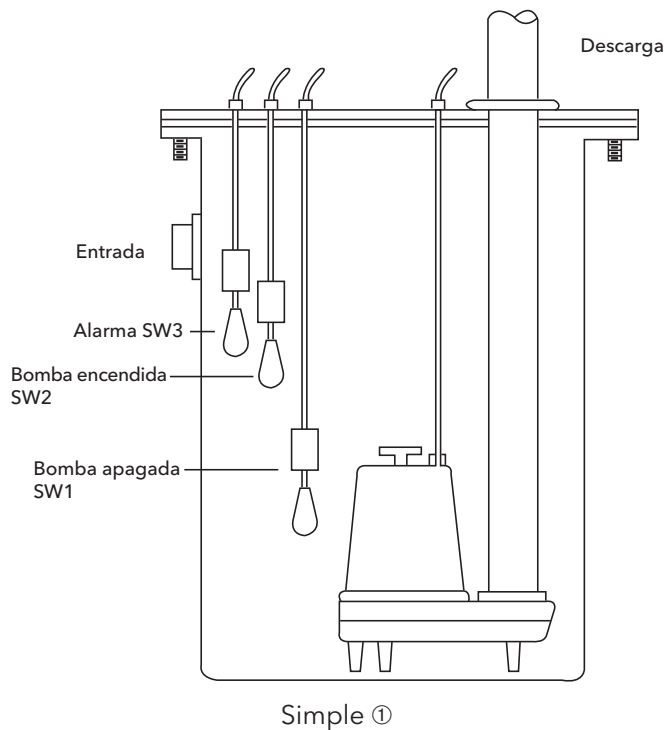
Paneles simples utilizando interruptores de ángulo amplio:

Panel simple con alarma

| | | |
|-----|------------------|--------------------------|
| SW1 | Fondo | Bomba encendida/apagada |
| SW2 | Extremo superior | Alarma encendida/apagada |

Panel simple sin alarma

| | |
|-----|-------------------------|
| SW1 | Bomba encendida/apagada |
|-----|-------------------------|



DATOS DE INGENIERÍA

Los datos de ingeniería para modelos específicos pueden encontrarse en su catálogo y en nuestro sitio Web (dirección en la cubierta).

Los diagramas de cableado del panel de control se envían con los paneles de control. Utilice los dibujos del panel de control junto con este manual de instrucciones para completar el cableado.

OPERACIÓN DE LA BOMBA

| Sumersión mínima | | Temperatura máxima del fluido | |
|-----------------------|---|-------------------------------|--------------|
| Servicio continuo | Sumergida totalmente | Operación continua | 104° F 40° C |
| Servicio intermitente | 6 pulg. por debajo del extremo superior del motor | Operación intermitente | 140° F 60° C |

Pumpmaster y Pumpmaster Plus - Cableado directo

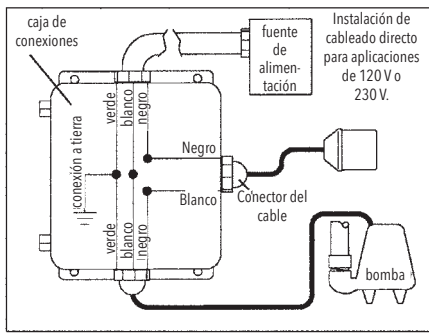


Figura 1

Interruptor de flotador de acción simple Instalación "típica"

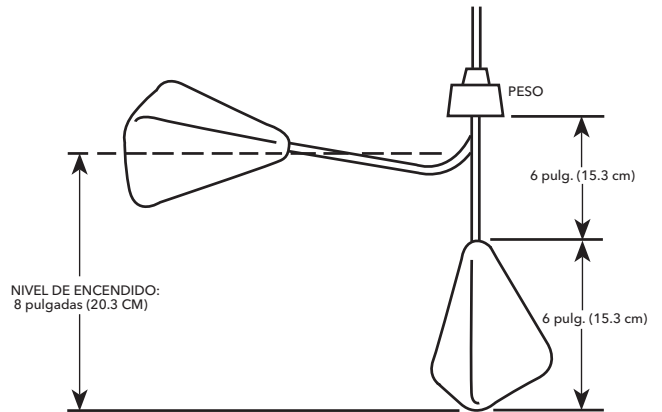


Figura 4

Flotador doble - de cableado directo

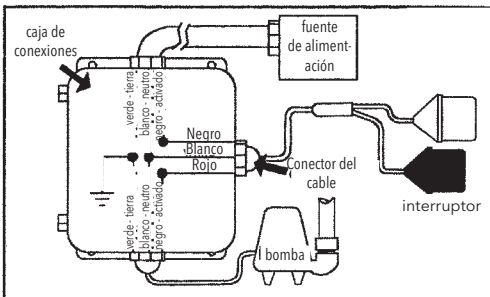


Figura 2

Interruptor de flotador de ángulo amplio

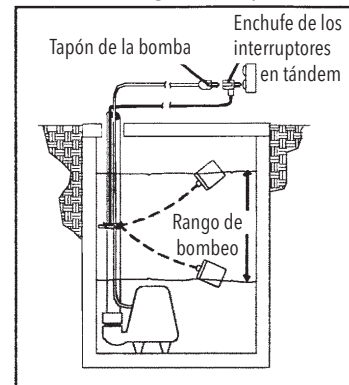


Figura 5

Determinación del rango de bombeo

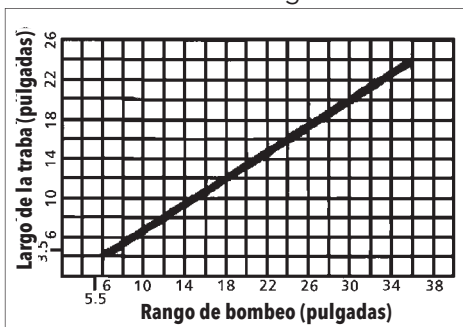


Figura 3

LECTURAS DE RESISTENCIA DEL AISLAMIENTO

Valores normales en ohmios y megaohmios entre todos los conductores y tierra

| Condición del motor y los conductores | Valor en ohmios | Valor en Megaohmios |
|---|--------------------|---------------------|
| Un motor nuevo (sin cable de bajada). | 20,000,000 (o más) | 20 (o más) |
| Un motor usado que puede reinstalarse en el pozo. | 10,000,000 (o más) | 10 (o más) |
| Motor en el pozo. Las lecturas son para el cable de bajada más el motor. | | |
| Motor nuevo. | 2,000,000 (o más) | 2 (o más) |
| El motor está en buenas condiciones. | 500,000 -2,000,000 | 0.5 - 2 |
| Daño de aislamiento, localícelo y repárelo. | Menos de 500,000 | Menos de 0.5 |

La resistencia del aislamiento varía muy poco con la clasificación. Los motores de todas las clasificaciones de potencia, tensión y fase tienen valores similares de resistencia de aislamiento.

Los valores de resistencia de aislamiento anteriores están basados en lecturas obtenidas con un megaohmiómetro con salida de 500 V CC. Las lecturas pueden variar utilizando un ohmiómetro de tensión más baja; consulte con la fábrica si tiene dudas acerca de las lecturas.

INSTALACIONES TÍPICAS

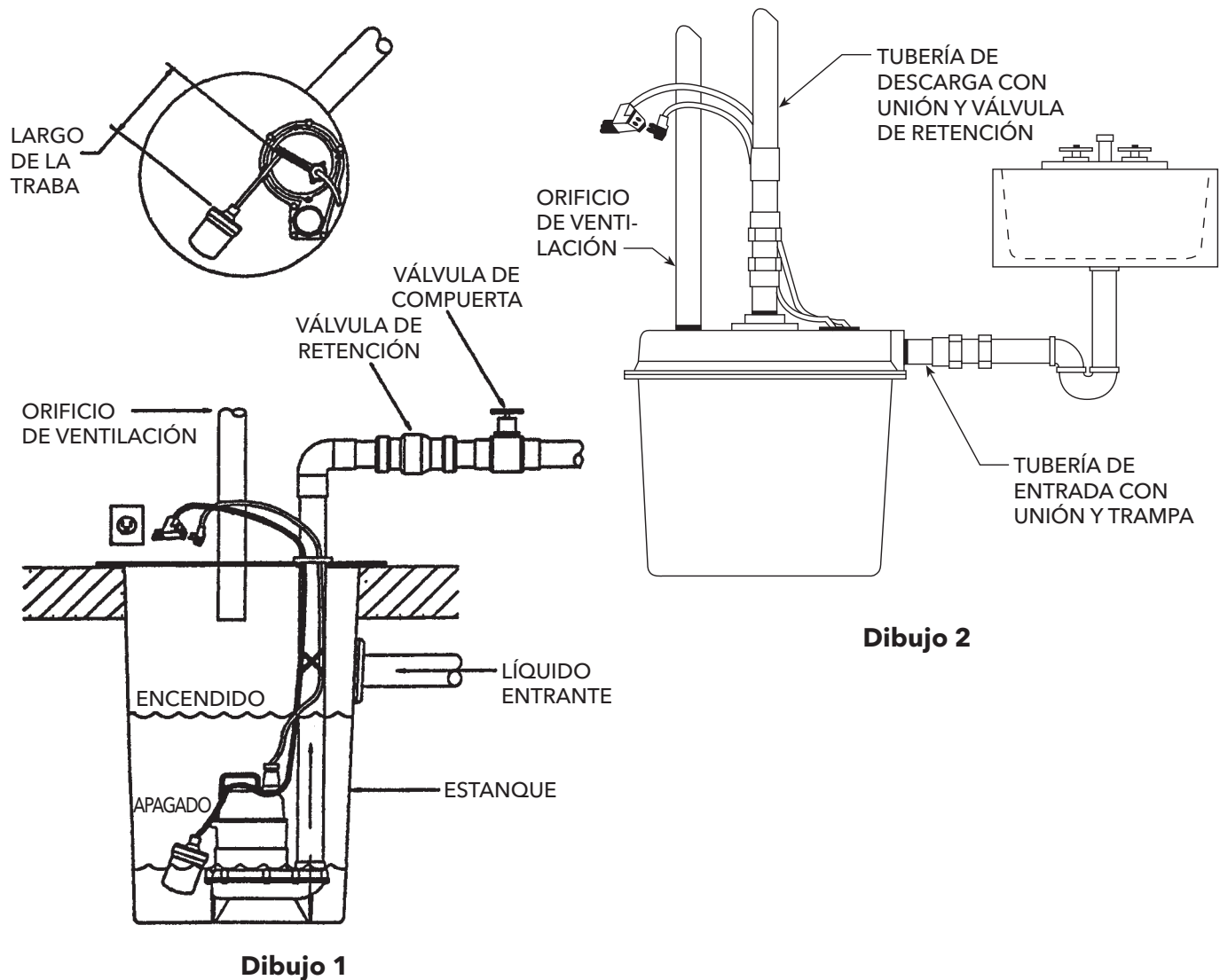
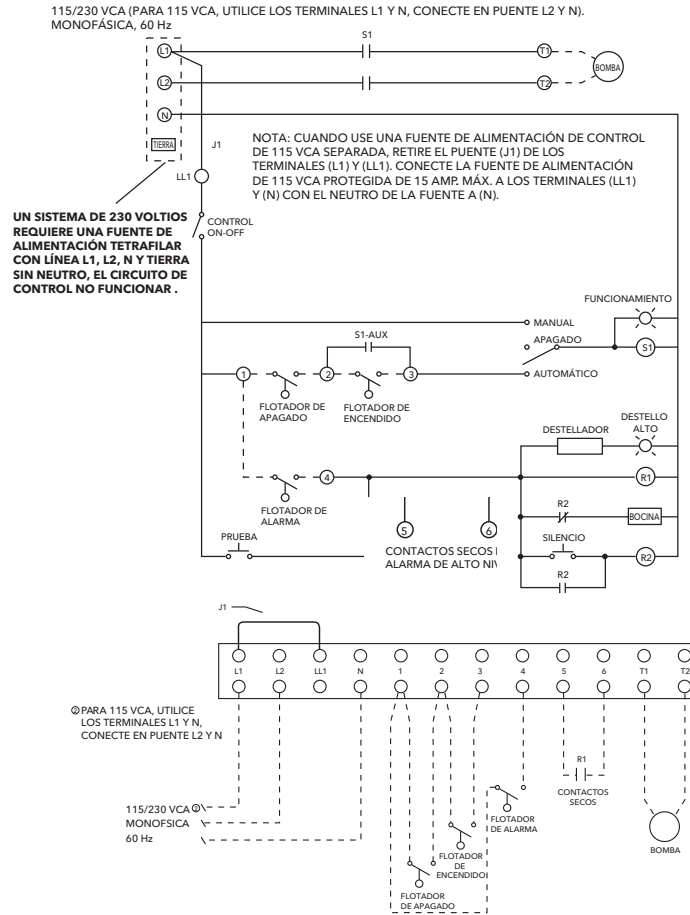
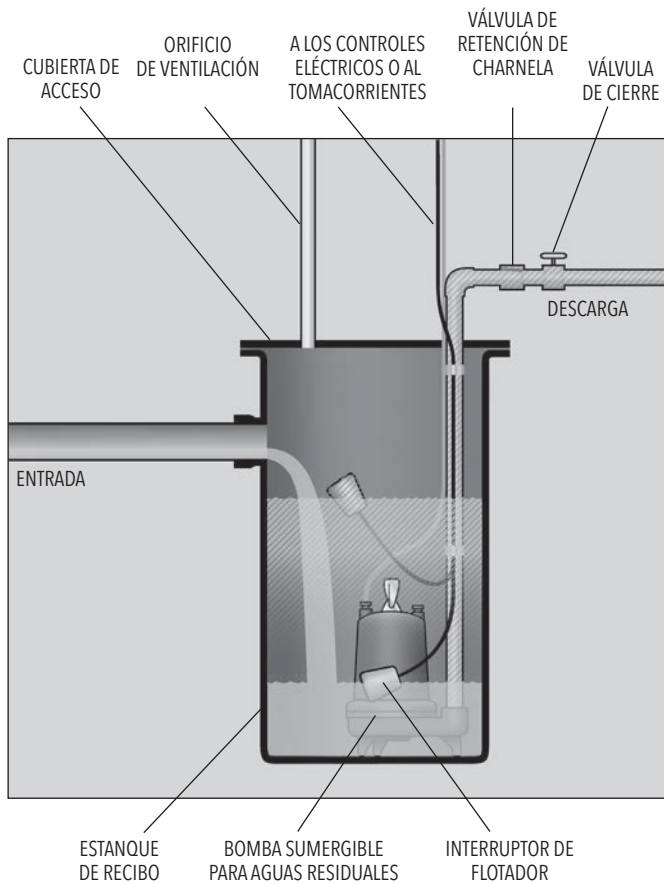


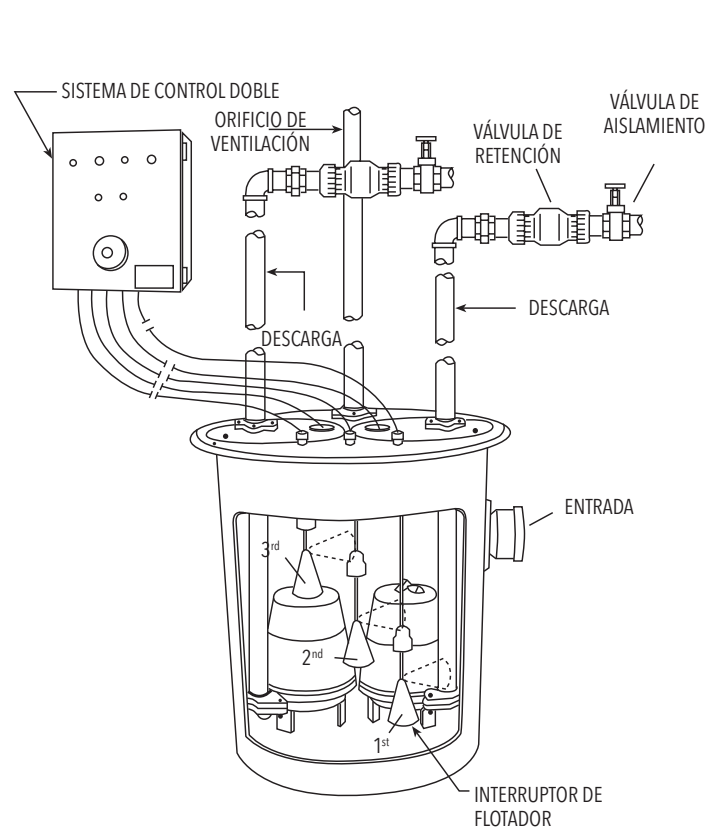
Diagrama de cableado de unidad simple monofásica S10020



Instalación simple típica



Instalación doble típica



IDENTIFICACIÓN Y RESOLUCIÓN DE PROBLEMAS



LA FALLA DE DESCONECTAR Y BLOQUEAR LA CORRIENTE ELÉCTRICA ANTES DE INTENTAR CUALQUIER SERVICIO, PUEDE CAUSAR ELECTROCHOQUE, QUEMADURAS O LA MUERTE.

| SÍNTOMA | CAUSA PROBABLE | ACCIÓN RECOMENDADA |
|--|--|---|
| <p>EL MOTOR NO ESTÁ FUNCIONANDO</p> <p>NOTA: Si el cortacircuitos se “ABRE” repetidamente, NO lo reposicione. Llame a un electricista calificado.</p> <p>a) Operación manual</p> <p>b) Operación automática</p> <p>NOTA: Inspeccione la bomba en modo manual primero para confirmar el funcionamiento. Si la bomba funciona, el control automático o el cableado está defectuoso. Si la bomba no funciona, vea arriba.</p> | <p>Se disparó el protector térmico del motor</p> <p>Cortacircuitos abierto o fusible quemado.</p> <p>Impulsor de la bomba rozando o atascado.</p> <p>El cable de alimentación está dañado.</p> <p>Conexiones eléctricas inadecuadas en el panel de control.</p> <p>No hay alambre neutro conectado al panel de control.</p> <p>Conexiones eléctricas inadecuadas en el panel de control.</p> <p>Interruptor de nivel de líquido defectuoso para activar los controles.</p> <p>Nivel de líquido insuficiente para activar los controles.</p> <p>Cordones de los sensores de nivel de líquido enredados.</p> | <p>Deje que se enfríe el motor. Asegure la sumersión mínima de la bomba. Limpie los residuos de la carcasa y el impulsor.</p> <p>Determine la causa, llame a un electricista calificado.</p> <p>Determine el consumo de corriente del motor. Si es dos veces más alto que el indicado en la placa de identificación de la bomba, el impulsor está trabado, los cojinetes del motor o el eje está dañado. Limpie los residuos de la carcasa y el impulsor, consulte con el agente.</p> <p>La resistencia entre los conductores de alimentación y tierra debe indicar infinito. Si alguna lectura es incorrecta, llame a un electricista calificado.</p> <p>Inspeccione las conexiones del panel de control. Llame a un electricista calificado.</p> <p>Con el interruptor desconectado, verifique la continuidad mientras activa el interruptor de nivel de líquido. Reemplace el interruptor, según se requiera.</p> <p>Deje que el nivel de líquido aumente de 3 a 4 pulgadas (76 mm –101 mm) sobre el nivel de activación.</p> <p>Desenrede los cordones y asegure el funcionamiento libre.</p> |
| <p>LA BOMBA NO SE APAGA</p> | <p>Cordones de los sensores de nivel de líquido enredados.</p> <p>La bomba está atascada con aire.</p> <p>El flujo de líquido entrante coincide con la capacidad de descarga de la bomba.</p> | <p>Desenrede los cordones y asegure el funcionamiento libre.</p> <p>Apague la bomba durante aproximadamente un minuto y arránquela nuevamente. Repita hasta que se despeje la obstrucción de aire. Si la obstrucción de aire persiste en un sistema con tubo con válvula de retención, puede perforarse un agujero de 3/16 pulg. (4.8 mm) en el tubo de descarga aproximadamente a 2 pulgadas (51 mm) de la conexión de descarga.</p> <p>Podría requerirse una bomba más grande.</p> |
| <p>LA BOMBA ENTREGA POCO O NADA DE LÍQUIDO</p> | <p>La válvula de retención está instalada invertida, está obstruida o atascada en posición cerrada.</p> <p>Carga excesiva del sistema.</p> <p>Entrada a la bomba obstruida.</p> <p>Tensión incorrecta, o conectada incorrectamente.</p> <p>La bomba está atascada con aire.</p> <p>El impulsor está gastado o dañado.</p> <p>Los controles de nivel de líquido están defectuosos o instalados incorrectamente.</p> | <p>Verifique la flecha de flujo en la válvula y verifique el funcionamiento de ésta.</p> <p>Consulte con el agente.</p> <p>Inspeccione y despeje, según sea requerido.</p> <p>Verifique la rotación, la tensión y las conexiones de la bomba. Consulte con un electricista calificado.</p> <p>Consulte la acción recomendada, arriba.</p> <p>Inspeccione el impulsor, reemplácelo según sea necesario.</p> <p>Inspeccione, reajuste o reemplace, según sea requerido.</p> |
| <p>LA BOMBA CICLA CONSTANTEMENTE</p> | <p>La válvula de retención de la descarga no funciona.</p> <p>El área de contención de aguas negras es demasiado pequeña.</p> <p>Los controles de nivel de líquido están defectuosos o instalados incorrectamente.</p> <p>Cantidad excesiva de líquido entrante para una bomba de este tamaño.</p> | <p>Inspeccione, repare o reemplace, según sea requerido.</p> <p>Consulte con el agente.</p> <p>Inspeccione, reajuste o reemplace, según sea requerido.</p> <p>Consulte con el agente.</p> |

GARANTÍA LIMITADA DEL CONSUMIDOR

Para mercadería vendida para fines personales, familiares o de vivienda, el Vendedor garantiza que la mercadería vendida conforme al presente (a excepción de membranas, sellos, juntas, materiales de elastómero, recubrimientos y otras "piezas de desgaste" o consumibles, que no están bajo garantía salvo que se especifique lo contrario en el presupuesto o formulario de ventas) estarán libres de defectos en los materiales o mano de obra durante un (1) año a partir de la fecha de instalación o dieciocho (18) meses desde el código de fecha del producto, de los anteriores el que ocurra primero, salvo la ley o la documentación del producto (la "Garantía") especifiquen un período mayor.

Salvo que la ley establezca lo contrario, el Vendedor debe, según su opción y sin costo para el Comprador, reparar o reemplazar cualquier producto que no cumpla con la Garantía; siempre y cuando el Comprador le avise por escrito al Vendedor de cualquier defecto en el material o mano de obra en un plazo de diez (10) días desde la fecha de la primera manifestación del defecto o incumplimiento. Bajo la opción de reparación o reemplazo, el Vendedor no estará obligado a remover o pagar por la remoción del producto defectuoso, o instalar o pagar por la instalación del producto reemplazado o reparado y el Comprador será responsable de todos los demás costos, que incluyen, entre otros, costos de servicio, tarifas de envío y gastos. El método o el medio de reparación o reemplazo será a total discreción del Vendedor. Si el Comprador no cumple con las instrucciones de reparación o reemplazo del Vendedor, esto rescindirá las obligaciones del Vendedor conforme a la presente Garantía y anulará la misma. Cualquier parte reparada o reemplazada bajo la Garantía está bajo garantía solo por el saldo del período de garantía sobre las partes reparadas y reemplazadas. La Garantía está condicionada a que el Comprador le avise por escrito al Vendedor de cualquier defecto en el material o la mano de obra de la mercadería bajo garantía en un plazo de diez (10) días desde la fecha de la primera manifestación del defecto.

El Vendedor no tendrá obligaciones de garantía hacia el Comprador respecto de cualquier producto o partes de un producto que: (a) hayan sido reparados por terceros que no sean el Vendedor o sin la aprobación escrita del Vendedor; (b) hayan estado sujetos a usos indebidos, aplicaciones indebidas, negligencia, alteraciones, accidentes o daños físicos; (c) hayan sido usados de una manera contraria a las instrucciones del Vendedor para la instalación, operación y mantenimiento; (d) hayan sido dañados por desgaste, corrosión o ataque químico habituales; (e) hayan sido dañados por condiciones anormales, vibración, falta de cebado correcto u operación sin flujo; (f) hayan sido dañados por suministro eléctrico defectuoso o protección eléctrica indebida; o (g) hayan sido dañados por el uso de equipos accesorios no vendidos ni aprobados por el Vendedor. En el caso de productos no fabricados por el Vendedor, no habrá Garantía del Vendedor; sin embargo, el Vendedor transferirá al Comprador toda Garantía recibida del proveedor del Vendedor para dichos productos.

Política de Goulds Water Technology sobre ventas en línea a clientes. Los propietarios que utilizan Internet para encontrar información sobre sistemas de agua residenciales, sistemas residenciales de aguas residuales, controles y tanques, pueden descubrir varios sitios que ofrecen oportunidades de compra directa al consumidor. Los sistemas de agua y de aguas residuales residenciales son aplicaciones críticas y su diseño es tal que deben ser instalados por profesionales calificados. Goulds Water Technology posee una extensa red nacional de vendedores y distribuidores, que incluye revendedores autorizados. Para ver una lista completa de vendedores, revendedores y distribuidores autorizados por Goulds Water Technology, consulte nuestro localizador en: <http://goulds.com/sales-service/>

No se ofrece ninguna garantía sobre el equipo de Goulds Water Technology adquirido por medio de Internet y esto incluye las opciones basadas en la red a través de distribuidores minoristas no autorizados. Esta política es necesaria para garantizar que el equipo de Goulds Water Technology se instale de manera adecuada, en cumplimiento con las leyes, reglas y códigos aplicables, de manera que se aborden las preocupaciones de seguridad y el rendimiento apropiado del equipo de Goulds Water Technology.

LA GARANTÍA ANTERIOR SE FORMULA EN LUGAR DE TODA OTRA GARANTÍA EXPRESA. TODAS LAS GARANTÍAS IMPLÍCITAS, INCLUYENDO, ENTRE OTRAS, LAS GARANTÍAS IMPLÍCITAS DE COMERCIABILIDAD Y APTITUD PARA UN FIN EN PARTICULAR, SE LIMITAN A UN (1) AÑO A PARTIR DE LA FECHA DE INSTALACIÓN O DIECIOCHO (18) MESES DESDE EL CÓDIGO DE FECHA DEL PRODUCTO, DE LOS ANTERIORES EL QUE OCURRA PRIMERO. EXCEPTO SEGÚN LO DISPUESTO POR LA LEY EN SENTIDO CONTRARIO, EL RECURSO EXCLUSIVO DEL COMPRADOR Y LA RESPONSABILIDAD TOTAL DEL VENDEDOR POR INCUMPLIMIENTO DE CUALQUIERA DE LAS ANTERIORES GARANTÍAS SE LIMITAN A REPARAR O REEMPLAZAR EL PRODUCTO Y EN TODOS LOS CASOS SE LIMITARÁN AL MONTO PAGADO POR EL COMPRADOR POR EL PRODUCTO DEFECTUOSO. EN NINGÚN CASO EL VENDEDOR SERÁ RESPONSABLE DE CUALQUIER OTRO TIPO DE DAÑOS Y PERJUICIOS, YA SEAN DIRECTOS, INDIRECTOS, LIQUIDADOS, INCIDENTALES, CONSECUENTES, PUNITIVOS, EJEMPLARES O ESPECIALES, LOS QUE INCLUYEN, A TÍTULO ENUNCIATIVO Y NO LIMITATIVO, LUCRO CESANTE, PÉRDIDA DE AHORROS O INGRESOS ANTICIPADOS, PÉRDIDA DE INGRESOS, PÉRDIDA DE NEGOCIOS, PÉRDIDA DE PRODUCCIÓN, PÉRDIDA DE OPORTUNIDADES O PÉRDIDA DE REPUTACIÓN.

Algunos estados no permiten limitaciones sobre la extensión de una garantía implícita, por lo que las limitaciones anteriores pueden no corresponder para usted. Algunos estados no permiten la exclusión o limitación de daños y perjuicios incidentales o consecuentes, por lo que las exclusiones anteriores pueden no corresponder para usted. La presente garantía le otorga derechos legales específicos, y usted también puede tener otros derechos que pueden variar dependiendo del estado.

Para realizar un reclamo de garantía, primero verifique con el representante a quien le compró el producto o visite xxx.xyleminc.com para buscar el nombre y ubicación del representante más cercano que ofrezca servicio de garantía.



Xylem Inc.
2881 East Bayard Street Ext., Suite A
Seneca Falls, NY 13148
Teléfono: (866) 325-4210
Fax: (888) 322-5877
www.gouldswatertechnology.com

Goulds es una marca registrada de Goulds Pumps, Inc. y se utiliza bajo licencia.
© 2016 Xylem Inc. IM127 Revisión Número 6 Septiembre 2016

Pompes de puisard,
à effluents et à eaux d'égout,
monophasées

DIRECTIVES D'INSTALLATION, D'UTILISATION ET D'ENTRETIEN



TABLE DES MATIÈRES

| SUJET | PAGE |
|---|-------|
| Consignes de sécurité | 28 |
| Vérifications avant installation..... | 28 |
| Levage de la pompe..... | 29 |
| Système de levage optionnel à rail de guidage ou à adaptateur coulissant..... | 29 |
| Tuyauterie | 29 |
| Câblage et mise à la terre..... | 29 |
| Sélection et câblage des contacteurs et des tableaux de commande | 30 |
| Installation dans le carter de vidange sans rails de glissière | 31 |
| Installation | 31 |
| Mise en marche | 32 |
| Tableaux de commande et fonction des contacteurs à flotteur..... | 33 |
| Données techniques..... | 34 |
| Valeurs de résistance d'isolement du moteur | 35 |
| Installations types et schéma de câblage monophasé pour pompe simple | 35-36 |
| Diagnostic des anomalies..... | 37 |
| Garantie limitée..... | 40 |

Informations pour le propriétaire

Numéro de modèle de la pompe : _____

Numéro de série de la pompe : _____

N° de modèle du tableau de commande : _____

Détaillant : _____

N° de téléphone du détaillant : _____

Date d'achat : _____ d'installation : _____

Courant (1 Ø) mesuré au démarrage

Intensité (A) : _____

Tension (V) : _____

CONSIGNES DE SÉCURITÉ

AFIN DE PRÉVENIR LES BLESSURES GRAVES OU MORTELLES ET LES DOMMAGES MATÉRIELS IMPORTANTS, LIRE ET SUIVRE TOUTES LES CONSIGNES DE SÉCURITÉ FIGURANT DANS LE MANUEL ET SUR LA POMPE.

LE PRÉSENT MANUEL A POUR BUT DE FACILITER L'INSTALLATION ET L'UTILISATION DE LA POMPE ET DOIT ÊTRE CONSERVÉ PRÈS DE CELLE-CI.



Le symbole ci-contre est un **SYMBOLE DE SÉCURITÉ** employé pour signaler les mots-indicateurs dont on trouvera la description ci-dessous. Sa présence sert à attirer l'attention afin d'éviter les blessures et les dommages matériels.



Préviens des risques qui **VONT** causer des blessures graves, la mort ou des dommages matériels importants.



Préviens des risques qui **PEUVENT** causer des blessures graves, la mort ou des dommages matériels importants.



Préviens des risques qui **PEUVENT** causer des blessures ou des dommages matériels.

AVIS : SERT À ÉNONCER LES DIRECTIVES SPÉCIALES DE GRANDE IMPORTANCE QUE L'ON DOIT SUIVRE.

LIRE SOIGNEUSEMENT CHAQUE DIRECTIVE ET AVERTISSEMENT AVANT D'EFFECTUER TOUT TRAVAIL SUR LA POMPE.

N'ENLEVER AUCUNE DÉCALCOMANIE DE SÉCURITÉ.



L'installation électrique doit être entièrement effectuée par un technicien qualifié.

Il faut toujours suivre les prescriptions du code provincial ou national de l'électricité et les règlements locaux. Adresser toute question relative au code à un inspecteur en électricité. Le non-respect du code et des politiques de santé et de sécurité au travail peut entraîner des blessures et des dommages matériels. L'inobservation des directives d'installation fournies par le fabricant peut se traduire par un choc électrique, un incendie, des blessures ou la mort, ainsi que par des dommages matériels, des performances non satisfaisantes et l'annulation de la garantie du fabricant.



Les pompes ne sont pas conçues pour les piscines, l'eau libre, les liquides dangereux ni les endroits pouvant contenir des gaz inflammables. Ces fluides peuvent être présents dans les installations de confinement (puits collecteurs, réservoirs ou fosses humides). On doit aérer ces installations suivant les codes locaux.

Seules les pompes de classe 1, division 1, peuvent servir dans les liquides dangereux et les endroits pouvant contenir des gaz inflammables. *Le nom des organismes de normalisation pertinents figure sur la plaque signalétique de la pompe ou dans les feuillets du catalogue décrivant les pompes en question.*



Verrouiller la source de courant en position ouverte avant de procéder à l'installation ou à l'entretien de tout dispositif électrique.

Le protecteur thermique de certains moteurs de pompe coupe le courant lorsqu'il y a surcharge thermique et le rétablit automatiquement, redémarrant ainsi la pompe inopinément.

INFORMATIONS IMPORTANTES À LIRE AVANT L'INSTALLATION



On doit brancher la pompe à un circuit électrique indépendant protégé par un disjoncteur ou des fusibles de calibre approprié. Poser un sectionneur si le code de l'électricité l'exige. Adresser toute question relative au code à un inspecteur en électricité.



Les contacteurs à flotteur et les pompes munis d'une fiche à trois broches (avec mise à la terre) doivent être branchés sur une prise à trois fils. Ne pas les brancher à une rallonge électrique ni à une prise sans une fiche à trois broches (avec mise à la terre). **NOTA** : selon le NEC (code de l'électricité des É.-U.), enlever la fiche du fil d'alimentation est inadmissible et annulera l'inscription dans la liste UL.



L'utilisation de la pompe a été évaluée pour l'eau seulement.



Risque de choc électrique — la pompe est munie d'un cordon à conducteur et à fiche de mise à la terre. Afin de réduire les risques de choc électrique, s'assurer que la pompe est branchée à une prise trifilaire appropriée correctement mise à la terre.

INFORMATIONS GÉNÉRALES

Les pompes de puisard sont conçues pour un usage intermittent, généralement saisonnier. Il est recommandé d'essayer la pompe avant la fonte des neiges et le début des pluies printanières pour s'assurer de son bon fonctionnement et de celui du contacteur.

La pose d'un avertisseur de haut niveau d'eau et d'un système de pompage de réserve à batterie est suggérée dans tout endroit ou sous-sol aménagé où une inondation causerait des dommages matériels. Discuter de l'utilisation d'une génératrice de secours avec l'installateur de la pompe. La plupart des pannes de courant ont lieu pendant les pluies torrentielles, quand on a le plus besoin de la pompe ! Les garanties des fabricants de pompes ne couvrent que les pompes, pas les frais de main-d'œuvre ni les dommages accessoires dus aux inondations.

VÉRIFICATIONS AVANT INSTALLATION

Ouvrir tous les cartons et vérifier si le matériel est endommagé. Signaler immédiatement tout dommage au fournisseur ou au transporteur.

Important : on doit toujours vérifier si les valeurs nominales inscrites sur la plaque signalétique (intensité, tension, puissance et nombre de phases) conviennent au tableau de commande et à la source de courant.

Le compartiment moteur de nombreuses pompes à eaux d'égout de Goulds est rempli d'huile isolante. S'il y a des traces d'huile sur la pompe ou si cette dernière a été entreposée longtemps, vérifier le niveau d'huile du compartiment et, si la pompe en est dotée, du logement de garniture.

Enlever le bouchon de l'orifice de remplissage du compartiment moteur (sur le dessus de celui-ci), puis vérifier le niveau d'huile par l'orifice. L'huile devrait seulement recouvrir le moteur. Ne pas trop en mettre pour que l'huile puisse se dilater!

Si le niveau d'huile est bas, utiliser de l'huile pour turbines ASTM 150, puis remettre le bouchon.

On peut se procurer de l'huile isolante en contenants de 5 gallons US chez un distributeur Goulds. On peut aussi en acheter chez un réparateur de moteurs électriques. Les marques d'huiles types sont : Shell Turbo 32, Sunoco Sunvis 932, Texaco Regal R&O 32, Exxon Nuto 32 et Mobil DTE Light.

Vérifier si l'écrou presse-garniture du serre-câble d'alimentation est suffisamment serré. Le couple de serrage est de 75 lbf-po pour les câbles de calibre 16 et de 80 lbf-po pour tout autre câble.

La garantie ne couvre pas les dommages dus au branchement de la pompe et du tableau de commande à une source de courant dont la tension ou le nombre de phases sont inappropriés.

Inscrire à titre documentaire les numéros de série et de modèle de la pompe et du tableau de commande dans les Informations pour le propriétaire, en première page. Une fois l'installation achevée, remettre le manuel au propriétaire ou l'attacher au tableau de commande.

LEVAGE DE LA POMPE



NE PAS LEVER, TRANSPORTER NI SUSPENDRE LA POMPE PAR LE CÂBLE D'ALIMENTATION : L'ENDOMMAGEMENT DU CÂBLE POURRAIT CAUSER UN CHOC ÉLECTRIQUE, DES BRÛLURES OU LA MORT.

Lever la pompe par son boulon à œil ou sa poignée avec un filin ou une chaîne de grosseur appropriée. **NE PAS** endommager les câbles d'alimentation et de capteur pendant la manutention de la pompe.

SYSTÈME DE LEVAGE OPTIONNEL À RAIL DE GUIDAGE OU À ADAPTATEUR COULISSANT

Dans le cas de bon nombre de cuves à effluents et de postes de relèvement d'eaux d'égout, il est conseillé de monter la pompe sur un rail de guidage ou avec un adaptateur coulissant pour pouvoir descendre, retirer, inspecter et entretenir celle-ci plus facilement. La plupart des codes n'autorisent pas le personnel à entrer dans une fosse humide sans la formation ni l'équipement protecteur appropriés. Le rail et l'adaptateur sont conçus pour faciliter la mise en place et la sortie de la pompe, et ce, sans disjoindre la tuyauterie. Le rail et l'adaptateur devraient être placés de façon à ce que la pompe soit face à l'orifice d'arrivée de l'influent pour empêcher la formation de zones de stagnation et, ainsi, de dépôts. Le fond du puits collecteur ou de la cuve doit être plat et suffisamment résistant pour supporter le poids de la pompe et du rail de guidage.

AVIS : SUIVRE LES DIRECTIVES FOURNIES AVEC LE RAIL DE GUIDAGE.

TUYAUTERIE

Afin de réduire les pertes de charge (par frottement) au minimum, la tuyauterie de refoulement devrait être aussi courte que possible et dépourvue d'accessoires et de raccords superflus. Son diamètre devrait être au moins égal à celui de l'orifice de refoulement de la pompe.

Prévenir le retour du liquide : poser sur le tuyau de refoulement un clapet de non-retour de calibre convenant à la grosseur des solides que la pompe peut laisser passer. Le retour du liquide peut faire tourner la pompe en sens inverse, provoquant ainsi l'usure prématurée des garnitures mécaniques et des roulements. S'il y a « rotation en sens inverse » au moment du démarrage, le couple accru produit peut abîmer le moteur ou l'arbre de pompe, ou les deux, et même forcer certaines pompes monophasées à continuer à tourner en sens inverse.

Poser **EN AVAL** (après) du clapet de non-retour un robinet-vanne de calibre approprié pour permettre l'entretien de la pompe, de la tuyauterie et du clapet.

Important : avant d'installer la pompe et afin de prévenir la formation de poches d'air dans celle-ci, percer un trou-purgeur d'air dans le tuyau de refoulement à environ 51 mm (2 po) au-dessus de l'orifice de refoulement de la pompe, mais avant le clapet de non-retour et à l'intérieur de la fosse humide. Le diamètre du trou sera de 3,2 mm ($\frac{1}{8}$ po) pour l'eau ordinaire et de 4,8 mm ($\frac{3}{16}$ po) pour les eaux usées contenant des solides. On permettra ainsi au liquide d'entrer dans la pompe par gravité, surtout si l'orifice d'aspiration est situé en dessous, et préviendra la formation de poches d'air qui empêcheraient le pompage du liquide même si la roue de la pompe tourne.


La tuyauterie doit être supportée correctement pour n'appliquer sur la pompe aucune charge pouvant la déformer.


Couvercles et trappes de visite doivent être assez grands pour permettre l'inspection et l'entretien de la pompe ainsi que l'emploi d'un dispositif de levage.


CÂBLAGE ET MISE À LA TERRE

Avis important : lire les Consignes de sécurité avant de procéder au câblage.


- ⚠ N'utiliser que du fil torsadé en cuivre pour la mise à la terre et l'alimentation du moteur. Le calibre du fil de terre doit être au moins égal à celui des fils d'alimentation du moteur, et les fils devraient tous être chromocodés pour faciliter l'entretien et le diagnostic des anomalies.
- ⚠ Poser le fil de terre et les autres fils suivant les prescriptions du code provincial ou national de l'électricité.
- ⚠ Installer un sectionneur tout conducteur si le code l'exige.
- ⚠ Verrouiller la source de courant en position ouverte avant de procéder à l'installation ou à l'entretien de la pompe.

 Le nombre de phases et la tension d'alimentation doivent convenir à tout l'équipement. Un nombre de phases et une tension inappropriés annulent la garantie et peuvent causer un incendie et des dommages au moteur et au tableau de commande.

 Chaque jonction de fils doit être étanche. Si l'on emploie un nécessaire de jonction («kit»), suivre les directives du fabricant.

 **AVERTISSEMENT** Choisir la boîte de jonction du type et de la classe NEMA convenant au type et au lieu d'utilisation. La boîte doit assurer une jonction de fils sûre et étanche.

 **AVERTISSEMENT** Étancher les commandes afin d'empêcher les gaz d'en détériorer les composants.

 **AVERTISSEMENT**
Tension dangereuse
OMETTRE LA MISE À LA TERRE PERMANENTE DE LA POMPE, DU MOTEUR ET DES COMMANDES AVANT LE BRANCHEMENT À LA SOURCE DE COURANT PEUT CAUSER UN CHOC ÉLECTRIQUE, DES BRÛLURES OU LA MORT.

SÉLECTION ET CÂBLAGE DES CONTACTEURS ET DES TABLEAUX DE COMMANDE

CONTACTEURS À FLOTTEUR TYPES

Trois types de contacteurs à flotteur sont normalement utilisés avec les pompes monophasées : à simple effet, vertical et à grand déplacement angulaire.

Les contacteurs à commande simple effet tels ne peuvent être reliés à la pompe que par le tableau de commande, sinon ils accéléreront le fonctionnement cyclique (démarrage-arrêt), risquant ainsi de brûler le moteur, son contacteur de démarrage ou le contacteur à flotteur, ou les trois. Avant d'utiliser un contacteur à flotteur à simple effet, connecté à un tableau de commande, voir la section *Tableaux de commande et fonction des contacteurs à flotteur*.

Les contacteurs à flotteur verticaux (mécaniques) sont offerts pour les pompes monophasées et sont munis d'une fiche-prise. Ils constituent le choix idéal lorsque l'espace de déplacement du contacteur est réduit : le déplacement vertical requiert moins d'espace que le grand déplacement angulaire. Le numéro des modèles types débute par A2H.

Les contacteurs à flotteur à grand déplacement angulaire représentent le type le plus populaire. Ils peuvent être reliés à la pompe directement ou par le tableau de commande. La longueur du câble du contacteur, c'est-à-dire la distance entre son point pivot et le boîtier du contacteur, constitue la plage de pompage (niveaux démarrage-arrêt) et régit donc la quantité de liquide pompée à chaque cycle. Voir les fig. 1-5.

RÉGLAGE DES CONTACTEURS À FLOTTEUR

Il n'existe pas de règle absolue pour le réglage des contacteurs à flotteur, lequel peut varier d'une installation à l'autre.

Règles suggérées :

Tous les contacteurs à flotteur devraient être placés sous l'orifice d'arrivée de l'influent !

Contacteur d'arrêt : (1^{er} choix) — le régler pour que le niveau du liquide soit toujours au-dessus du comparti-

ment moteur. (2^e choix) — le régler pour que le niveau du liquide ne puisse être à plus de 6 po sous le dessus du compartiment moteur.

Contacteur de démarrage : le régler pour que la plage de pompage permette aux pompes de 1½ hp ou moins de fonctionner pendant au moins une (1) minute. Les pompes de 2 hp et plus devraient fonctionner durant au moins deux (2) minutes. Le catalogue donne la capacité de chaque cuve en gallons US par pouce de hauteur.

Contacteur(s) de pompe secondaire et d'alarme : s'il n'y en a qu'un, le placer plus haut que les contacteurs d'arrêt et de démarrage, et, s'il y en a deux, on devrait en outre les décaler (v. les illustrations dans la section *Tableaux de commande et fonction des contacteurs à flotteur*). Essayer d'utiliser tout l'espace de stockage disponible de la cuve, mais prévoir un espace de réserve.

SCHÉMAS DE CÂBLAGE DES TABLEAUX DE COMMANDE

Des directives et des schémas de câblage sont fournis avec les tableaux de commande. Utiliser les directives en question conjointement avec celles du présent manuel. L'installation électrique ne doit être effectuée que par des techniciens qualifiés. Adresser toute question relative aux autres marques de tableau de commande au fournisseur ou au fabricant de ces marques. Le personnel technique de Goulds ne dispose pas des schémas ni des informations de dépannage des autres marques.

DISPOSITIFS D'ALARME

Il est recommandé de poser un dispositif d'alarme dans toute installation à pompe(s) à eaux usées. De nombreux tableaux de commande standard en sont munis. S'il n'y a pas de tableau de commande, on peut employer un dispositif d'alarme niveau haut, autonome, qui se déclenchera si le liquide atteint un niveau trop élevé, avertissant ainsi le personnel d'entretien, qui apportera alors les correctifs appropriés.

POMPES MONOPHASÉES

Les pompes monophasées peuvent être utilisées avec un contacteur à flotteur simple ou double à fiche-prise ou à raccordement fixe, avec un contacteur ordinaire ou avec un tableau de commande pour pompe simple ou double. Voir les fig. 1, 2 et 5.

Toutes les pompes de 1/3 et de 1/2 hp (115 ou 230 V), ainsi que certaines pompes de 3/4 et de 1 hp, sont munies d'un cordon d'alimentation à fiche pouvant être branchée sur la fiche-prise du contacteur à flotteur s'il s'agit d'une installation à pompe simple. On peut enlever la fiche du cordon d'alimentation et connecter celui-ci par raccordement fixe à un tableau de commande pour pompe simple ou double. L'enlèvement de la fiche n'annulera pas la garantie ni l'enregistrement auprès des organismes de normalisation pertinents. Voir la fig. 5.



LES POMPES CONNECTÉES PAR FICHE DOIVENT L'ÊTRE À UNE PRISE AVEC TERRE MISE À LA TERRE CORRECTEMENT.

S'IL S'AGIT D'UNE POMPE SANS FICHE, NE PAS ENLEVER LE CORDON D'ALIMENTATION NI SON SERRE-CÂBLE NI CONNECTER UN CONDUIT À LA POMPE.

Les pompes dont le bout des fils du cordon d'alimentation est dénudé peuvent être branchées par raccordement fixe à un contacteur à flotteur, à un contacteur ordinaire monophasé ou à un tableau de commande pour pompe simple ou double. On doit toujours s'assurer que le contacteur à flotteur convient à l'intensité de marche, à l'intensité maximale au démarrage et à la puissance nominales de la pompe. Sauf indication contraire sur la plaque signalétique, les pompes monophasées pour eaux usées sont munies d'une protection d'enroulement contre les surcharges. Voir les fig. 1 et 2.

TABLEAUX DE COMMANDE MONOPHASÉS

Les tableaux de commande viennent en deux versions : pour pompe simple ou pour pompe double. Les tableaux offrent de nombreuses fonctions standard auxquelles on peut ajouter les options les plus populaires. En outre, fournit des tableaux sur demande dont les fonctions sont beaucoup plus nombreuses que celles. Les tableaux faits sur demande sont offerts en versions variées. On peut adresser toute demande de prix pour ce type de tableau au service à la clientèle (*Customer Service*) par l'entremise d'un distributeur agréé.

Les tableaux de commande pour pompe double possèdent un circuit imprimé muni d'un circuit d'alarme niveau haut standard. Il existe d'autres accessoires standard : contacts d'alarme secs auxiliaires *signalant* les alarmes à distance et voyants indicateurs de position pour contacteurs à flotteur. La plupart des tableaux sont en stock et prêts à livrer.

INSTALLATION DANS LE CARTER DE VIDANGE SANS RAILS DE GLISSIÈRE

Vérifier si la cuve est de la dimension et du type appropriés :

Diamètre de cuve — il doit être suffisant pour permettre la pose de la pompe et le libre mouvement de son contacteur. Les contacteurs verticaux requièrent moins d'espace que les contacteurs à grand déplacement angulaire. Voir le *diamètre de cuve minimal* dans la table 1.

ATTENTION *Profondeur de cuve* — elle doit être supérieure au niveau de démarrage minimal de la pompe. Par exemple, si ce niveau est de 15 po, employer une cuve d'une profondeur de plus de 15 po. Voir le *niveau de démarrage minimal* dans la table 1.

AVERTISSEMENT *Type de cuve* — il existe divers types de cuves. Selon l'emplacement du puisard, un couvercle peut être nécessaire pour empêcher débris et objets de tomber dans le puisard et d'engorger la pompe. Un puisard ouvert situé dans un sous-sol ou autre endroit passants représente un danger pour les enfants et les animaux de compagnie. La pose d'un couvercle boulonné ou à l'épreuve des enfants est alors recommandée.

On peut placer la pompe directement au fond d'une cuve en polyéthylène ou en fibre de verre ou d'un puisard en béton. Si le fond est en gravier compacté, la grosseur du gravier doit dépasser 13 mm (½ po), et l'on doit utiliser des briques comme assise pour la pompe.

Une fois le tuyau de refoulement raccordé à la pompe, on peut poser celle-ci dans le puisard (ou la cuve) en la saisissant par la poignée et le tuyau, mais jamais par le

cordon d'alimentation. La placer contre la paroi du puisard, le contacteur orienté vers le centre du puisard. Voir les «Données sur l'installation».

Vérifier si tous les joints sont étanches. La tuyauterie devrait être fixée aux solives de plancher et aux murs avec des attaches pour immobiliser la pompe dans le puisard. Si la pompe bougeait, le contacteur pourrait rester coincé et empêcher la pompe d'arrêter ou de démarrer.

L'alimentation de la prise de courant réservée devrait être coupée à cette étape-ci. La prise devrait alimenter seulement la pompe.

Les pompes à contacteur intégré sont munies d'un seul cordon d'alimentation, et les pompes à contacteur à fiche-prise, de deux cordons.

Pompe à contacteur intégré, à cordon simple — brancher la fiche sur la prise de courant réservée.

Pompe à contacteur à fiche-prise, à cordon double — brancher la fiche-prise du contacteur sur la prise de courant réservée, puis la fiche de la pompe sur la fiche-prise.

Après avoir enroulé et accroché la longueur excédentaire du (ou des) cordon d'alimentation hors du puisard, fixer le (ou les) cordon d'alimentation au tuyau de refoulement avec des attaches autobloquantes (*tie wraps*) ou du ruban isolant.

INSTALLATION

INSTALLATION DE POMPE(S) STANDARD

Fixer à la ou aux pompes le raccord rapide pour le rail de guidage, l'adaptateur coulissant ou la tuyauterie de refoulement. Le pied d'assise du rail devrait être assujéti au fond de la fosse humide par des boulons d'ancrage.

Effectuer le câblage selon les schémas de câblage des tableaux de commande, les prescriptions du code provincial ou national de l'électricité et les règlements locaux.



ÉVITER LES BLESSURES GRAVES: NE PAS S'INTRODUIRE LA MAIN DANS L'ORIFICE D'ASPIRATION DE LA POMPE PENDANT LA VÉRIFICATION DU SENS DE ROTATION.

Descendre la ou les pompes dans la fosse humide.

S'assurer que les contacteurs à flotteur peuvent bouger librement, mais sans pouvoir atteindre la tuyauterie.

INSTALLATION D'ENSEMBLES D'ÉVACUATION

Installer les ensembles d'évacuation conformément aux codes, aux règlements locaux et aux illustrations de la section Installations types.

Systèmes complets — vérifier si la pompe est endommagée. Si oui, la retourner au distributeur. Installer la pompe sur une surface solide et de niveau. Visser le tuyau d'arrivée à la main sur l'entrée de la cuve. Raccorder le tuyau de refoulement à la canalisation d'évacuation principale. Le tuyau de refoulement devrait comporter un raccord union et un clapet de non-retour. Voir dans 2 la section *Installations types*.

Systèmes de drain d'Évier — vérifier si la pompe est endommagée. Si oui, la retourner au distributeur. Installer la pompe sur une surface solide et de niveau. Enlever le

ruban des tuyaux de refoulement et de mise à l'air libre, ainsi que du contacteur à flotteur et de l'entrée de la cuve. S'assurer que le contacteur à flotteur est fixé à la pompe et peut bouger librement. Poser la bague isolante dans l'entrée de la cuve, puis en lubrifier la partie intérieure avant d'y insérer le tuyau d'arrivée. Raccorder le tuyau de mise à l'air libre selon le code. Si l'ensemble est installé à l'extérieur, le protéger du gel. Poser un raccord union et un clapet de non-retour suivant les directives du fabricant du clapet, ainsi qu'un robinet-vanne en aval du clapet pour l'entretien de la pompe. Voir dans 1 la section *Installations types*.

MISE EN MARCHÉ

Une fois le raccordement de la tuyauterie achevé et vérifié, on peut mettre la ou les pompes en marche.

Vérification du fonctionnement des contacteurs à flotteur à fiche-prise — brancher d'abord la fiche-prise du contacteur sur une prise de courant indépendante mise à la terre, puis la prise de la pompe sur la fiche-prise du contacteur. Essayer la pompe en remplissant d'eau la fosse humide jusqu'à ce que la pompe démarre. Si le débit de la pompe est faible ou nul, c'est qu'il y a probablement présence d'air dans la pompe. Percer alors un trou-purgeur d'air selon les indications de la section Tuyauterie.

Vérifier la durée de fonctionnement de la pompe pour s'assurer qu'elle est d'au moins une minute et que la plage de pompage est correcte. *Nota* : les petits ensembles d'évacuation ont généralement un cycle démarrage-arrêt court.

Vérification du fonctionnement du tableau de commande — remplir d'eau la fosse humide.

Essayer d'abord la pompe en mode manuel en plaçant le commutateur «*Hand-Off-Auto*» (manuel-arrêt-automatique) du tableau de commande à *Hand*. Si la pompe fonctionne bien, l'essayer en mode automatique. Si le débit de la pompe est faible ou nul, c'est qu'il y a probablement présence d'air dans la pompe. Percer alors un trou-purgeur d'air selon les indications de la section Tuyauterie.

Faire fonctionner la pompe en mode automatique (*Auto*) et vérifier minutieusement le fonctionnement des contacteurs de démarrage, d'arrêt et d'alarme en remplissant d'eau la fosse humide. **Important** : omettre de brancher le fil neutre de la source de courant à tout tableau de commande alimenté en courant monophasé de 230 V empêchera le circuit de commande du tableau de fonctionner. Le neutre est nécessaire pour alimenter (115 V) le circuit de commande.

Mesurer l'intensité et la tension du courant au démarrage et les inscrire à titre documentaire dans les Informations pour le propriétaire, en première page. Comparer l'intensité mesurée à l'intensité maximale indiquée sur la plaque signalétique de la pompe. Si l'intensité mesurée est supérieure, en chercher la cause. L'utilisation de la pompe hors de sa courbe de performances, c.-à-d. avec une hauteur de charge trop faible ou avec une basse ou une haute tension, augmentera l'intensité du courant. Le moteur fonctionnera correctement si sa tension d'alimentation se situe dans les limites suivantes : tension nominale figurant sur la plaque signalétique $\pm 10\%$. Les performances obtenues dans ces limites ne seront pas nécessairement identiques à celles de la courbe de performances correspondant à la tension et à la fréquence nominales exactes inscrites sur la plaque signalétique. Apporter les correctifs nécessaires avant de continuer.

Réarmer le dispositif d'alarme, puis mettre la pompe en mode automatique (*Auto*) et le circuit de commande du tableau sous tension (interrupteur «*Control On-Off*» à *On*). Le système est maintenant prêt à fonctionner automatiquement. Expliquer le fonctionnement de la pompe et des dispositifs de commande et d'alarme à l'utilisateur, puis lui laisser la documentation ou l'attacher au tableau de commande s'il est installé dans un endroit sec, fermé.

TABLEAUX DE COMMANDE ET FONCTION DES CONTACTEURS À FLOTTEUR

L'objet de la présente section est d'indiquer le nombre de contacteurs à flotteur requis et le rôle de chacun dans les systèmes d'évacuation des eaux usées types. Le nombre varie selon le type de contacteur : à simple effet ou à grand déplacement angulaire, mais aussi selon le type de tableau de commande : pour pompe simple avec ou sans alarme ou pour pompe double avec alarme.

Tableaux de commande pour pompe double à contacteurs à simple effet

Trois contacteurs à flotteur

| | | |
|-----|---------------|--|
| SW1 | Inférieur | Pompes hors fonction |
| SW2 | Intermédiaire | 1 ^{re} pompe en fonction |
| SW3 | Supérieur | 2 ^e pompe et alarme en fonction |

Quatre contacteurs à flotteur ②

| | | |
|-----|--------------------|-----------------------------------|
| SW1 | Inférieur | Pompes hors fonction |
| SW2 | Deuxième (du bas) | 1 ^{re} pompe en fonction |
| SW3 | Troisième (du bas) | 2 ^e pompe en fonction |
| SW4 | Supérieur | Alarme en fonction |

Tableaux de commande pour pompe double à contacteurs à grand déplacement angulaire

Trois contacteurs à flotteur

| | | |
|-----|-----------|---|
| SW1 | Inférieur | 1 ^{re} pompe en fonction ou les deux hors fonction |
| SW2 | Supérieur | 2 ^e pompe et alarme en fonction |

Quatre contacteurs à flotteur

| | | |
|-----|---------------|---|
| SW1 | Inférieur | 1 ^{re} pompe en fonction ou les deux hors fonction |
| SW2 | Intermédiaire | 2 ^e pompe en fonction |
| SW3 | Supérieur | Alarme en fonction |

Tableaux de commande pour pompe simple à contacteurs à simple effet

Trois contacteurs à flotteur avec alarme ①

| | | |
|-----|---------------|-------------------------------------|
| SW1 | Inférieur | Pompe hors fonction |
| SW2 | Intermédiaire | Pompe en fonction |
| SW3 | Supérieur | Alarme en fonction ou hors fonction |

Deux contacteurs à flotteur sans alarme

| | | |
|-----|-----------|---------------------|
| SW1 | Inférieur | Pompe hors fonction |
| SW2 | Supérieur | Pompe en fonction |

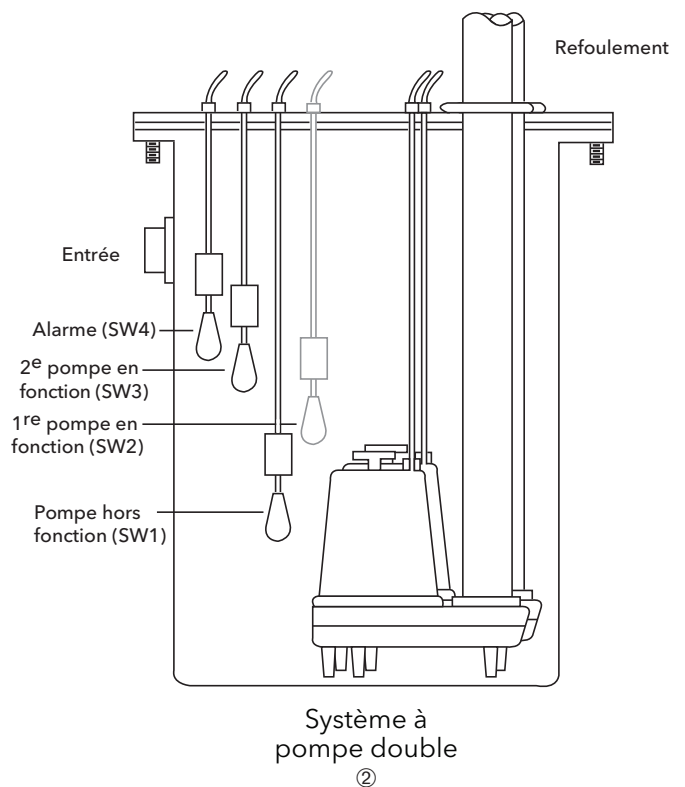
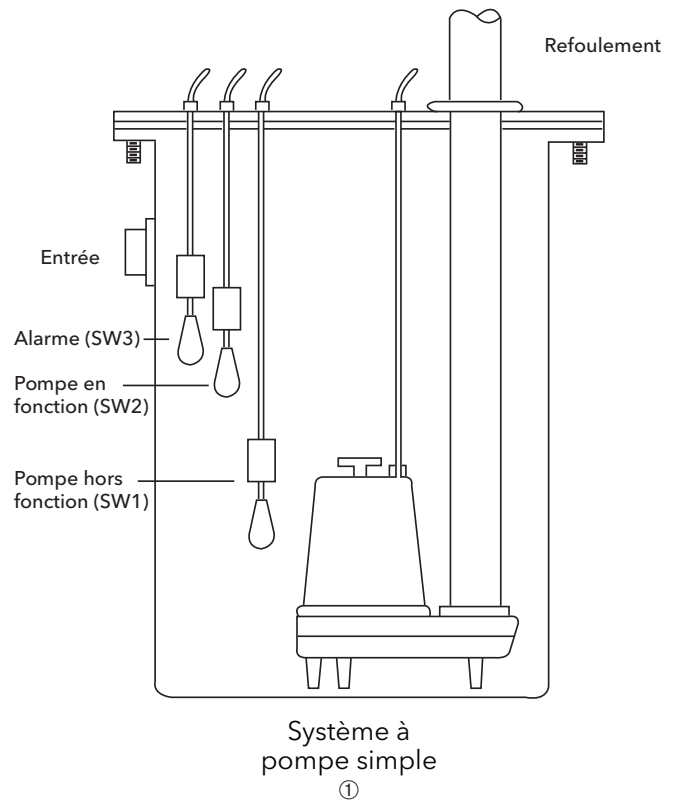
Tableaux de commande pour pompe simple à contacteurs à grand déplacement angulaire

Deux contacteurs à flotteur avec alarme

| | | |
|-----|-----------|-------------------------------------|
| SW1 | Inférieur | Pompe en fonction ou hors fonction |
| SW2 | Supérieur | Alarme en fonction ou hors fonction |

Un contacteur à flotteur sans alarme

| | |
|-----|------------------------------------|
| SW1 | Pompe en fonction ou hors fonction |
|-----|------------------------------------|



DONNÉES TECHNIQUES

On trouvera les données techniques sur des modèles particuliers dans le catalogue et à l'adresse du site Web inscrite au bas de la première page.

Les schémas de câblage des tableaux de commande sont fournis avec ces derniers. S'en servir conjointement avec les directives du présent manuel pour effectuer le câblage.

| SERVICE DE LA POMPE | | Température maximale du liquide | |
|------------------------------|--|---------------------------------|----------------|
| Hauteur d'immersion minimale | | Service continu | 40 °C (104 °F) |
| Service continu | Immersion totale | Service intermittent | 60 °C (140 °F) |
| Service intermittent | 6 po sous le dessus du compartiment moteur | | |

Raccordement fixe des contacteurs à flotteur Pumpmaster et Pumpmaster Plus

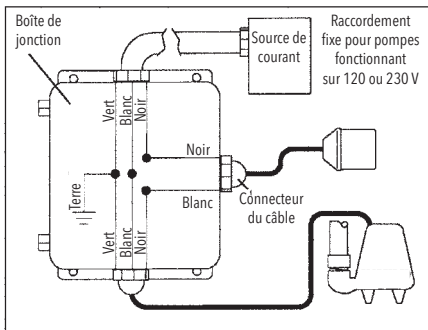


Figure 1

Installation type à contacteur à flotteur à simple effet

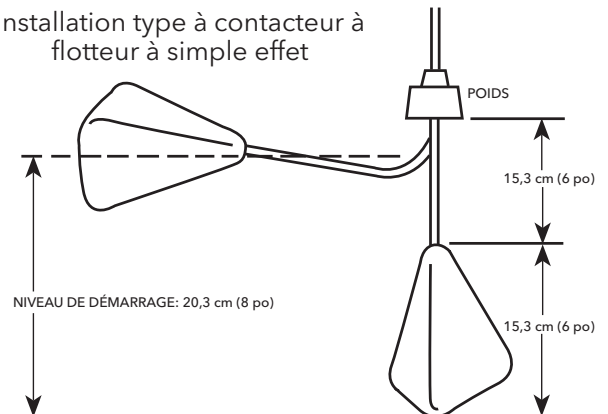


Figure 4

Raccordement fixe pour contacteur à flotteur double

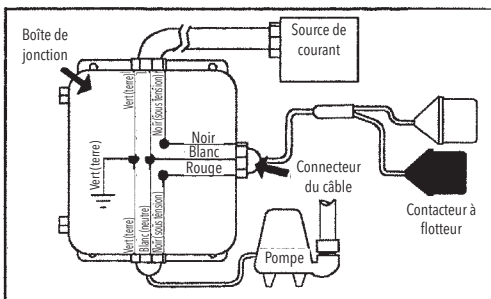


Figure 2

Contacteur à flotteur à grand déplacement angulaire

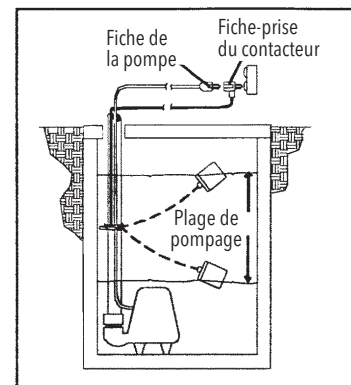


Figure 5

Détermination de la plage de pompage

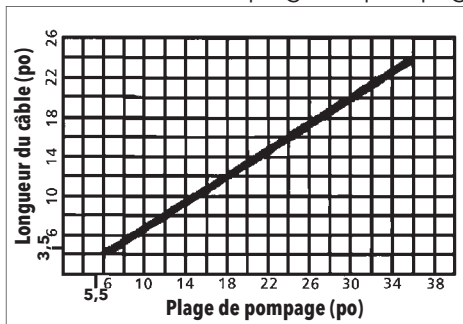


Figure 3

VALEURS DE RÉSISTANCE D'ISOLEMENT DU MOTEUR

Valeurs normalement mesurées en ohms et en mégohms entre chaque fil et le fil de terre

| État du moteur et des fils | Valeurs en ohms | Valeurs en mégohms |
|--|----------------------|--------------------|
| Moteur neuf sans câble d'alimentation | 20 000 000 (et plus) | 20 (et plus) |
| Moteur usagé réutilisable en fosse | 10 000 000 (et plus) | 10 (et plus) |
| Moteur en fosse - valeurs mesurées : câble d'alimentation plus moteur | | |
| Moteur neuf | 2 000 000 (et plus) | 2 (et plus) |
| Moteur en bon état | 500 000 à 2 000 000 | 0,5 à 2 |
| Isolation endommagée (la réparer) | Moins de 500 000 | Moins de 0,5 |

La valeur de résistance d'isolement varie très peu d'un moteur à l'autre, peu importent la puissance, la tension d'alimentation et le nombre de phases du moteur.

Les valeurs de résistance d'isolement ci-dessus sont tirées de mesures prises avec un mégohmmètre et une tension de sortie de 500 V c.c. Les valeurs mesurées peuvent varier si l'on utilise un ohmmètre avec une tension moindre. Communiquer avec le personnel technique de l'usine en pareil cas.

INSTALLATIONS TYPES

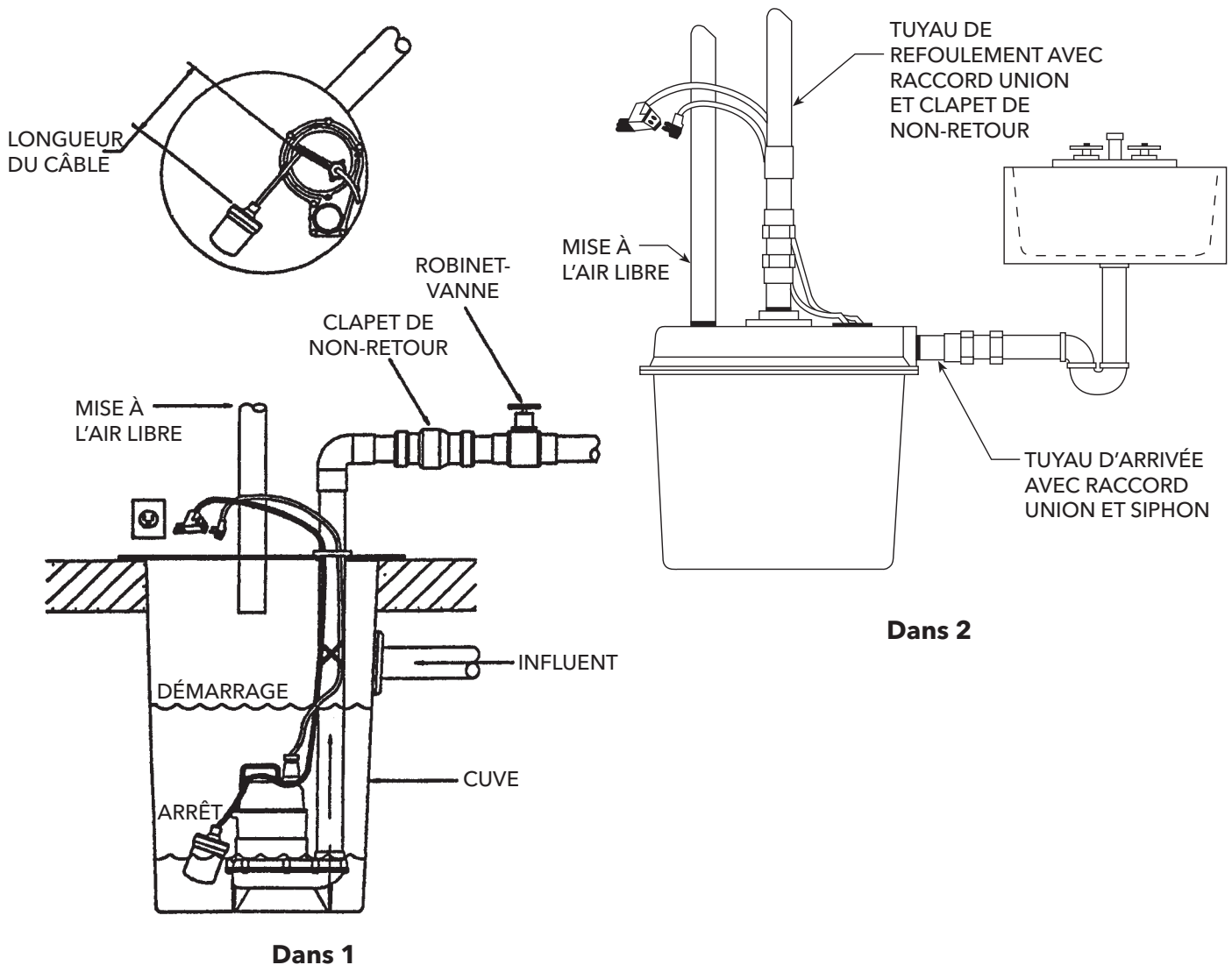
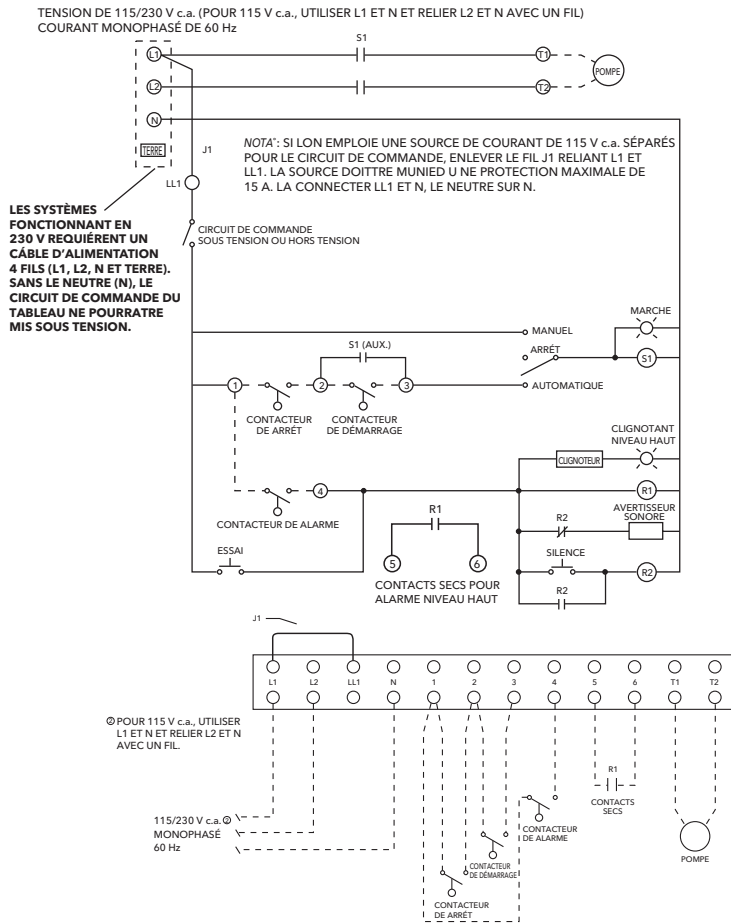
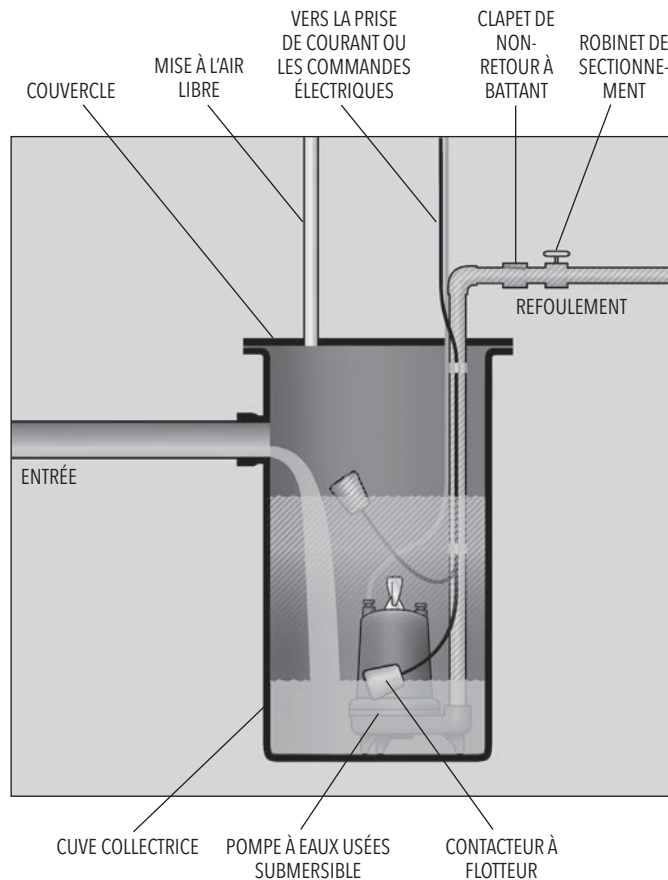


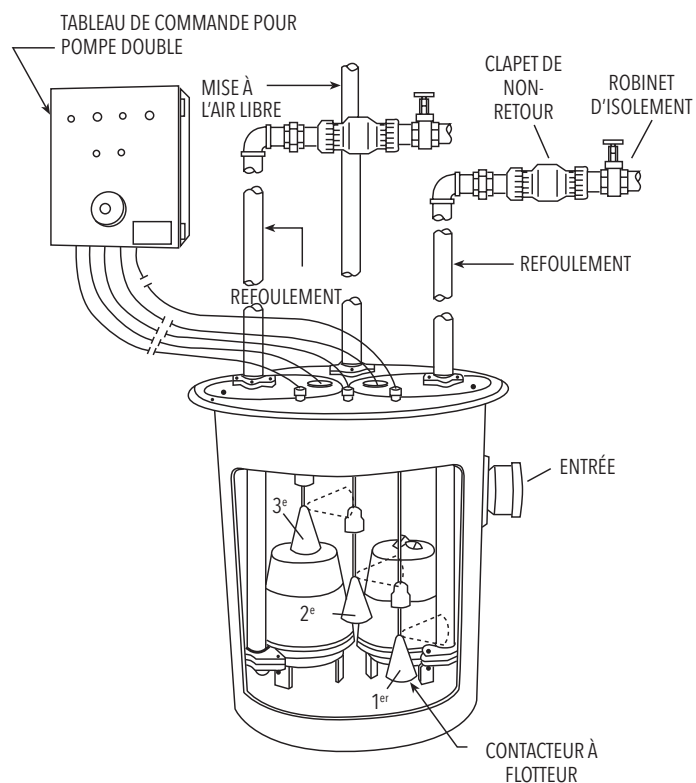
Schéma de câblage monophasé S10020 pour pompe simple



Installation type à pompe simple



Installation type à pompe double



DIAGNOSTIC DES ANOMALIES



OMETTRE DE VERROUILLER LA SOURCE DE COURANT EN POSITION OUVERTE AVANT D'EFFECTUER TOUT TRAVAIL D'ENTRETIEN SUR LA POMPE PEUT CAUSER UN CHOC ÉLECTRIQUE, DES BRÛLURES OU LA MORT.

| ANOMALIES | CAUSES PROBABLES | CORRECTIFS RECOMMANDÉS |
|--|---|--|
| <p>NON-FONCTIONNEMENT DU MOTEUR</p> <p><i>NOTA</i> : si le disjoncteur ne cesse de s'«OUVRIR», NE PLUS le réarmer. S'adresser à un électricien.</p> <p>a) Mode manuel</p> <p>b) Mode automatique</p> <p><i>NOTA</i> : vérifier si la pompe peut fonctionner en mode manuel d'abord. Si oui, la commande automatique ou le câblage sont défectueux. Dans la négative, voir les indications ci-dessus.</p> | <p>Protecteur thermique du moteur déclenché</p> <p>Disjoncteur ouvert ou fusible sauté</p> <p>Roue bloquée ou grippée</p> <p>Câble d'alimentation endommagé</p> <p>Mauvaise connexion dans le tableau de commande</p> <p>Fil neutre non connecté au tableau de commande</p> <p>Mauvaise connexion dans le tableau de commande</p> <p>Contacteur à flotteur défectueux</p> <p>Liquide trop bas pour actionner les commandes</p> <p>Câbles de contacteur à flotteur enchevêtrés</p> | <p>Laisser le moteur refroidir. Vérifier si la hauteur d'immersion est suffisante. Enlever les débris du corps de pompe et de la roue.</p> <p>En déterminer la cause et s'adresser à un électricien.</p> <p>Mesurer le courant (A) consommé par le moteur. Si l'intensité est au moins deux fois plus élevée que celle qui figure sur la plaque signalétique de la pompe, la roue est grippée, ou bien les roulements ou l'arbre du moteur sont endommagés. Enlever les débris du corps de pompe et de la roue. Consulter le détaillant.</p> <p>La valeur de résistance mesurée entre les fils d'alimentation et le fil de terre devrait être infinie. Si elle n'est pas appropriée, appeler un électricien.</p> <p>Inspecter le câblage du tableau de commande. Appeler un électricien.</p> <p>Débrancher le contacteur à flotteur et en vérifier la continuité en l'actionnant. Le remplacer au besoin.</p> <p>Laisser le liquide monter de 76 à 101 mm (3 à 4 po) au-dessus du niveau de démarrage.</p> <p>Démêler les câbles de contacteur à flotteur et s'assurer que les contacteurs peuvent bouger librement.</p> |
| <p>NON-ARRÊT DE LA POMPE</p> | <p>Câbles de contacteur à flotteur enchevêtrés</p> <p>Poche d'air dans la pompe</p> <p>Débit de l'influent égal à celui de la pompe</p> | <p>Démêler les câbles de contacteur à flotteur et s'assurer que les contacteurs peuvent bouger librement.</p> <p>Arrêter la pompe pendant environ une minute, puis la remettre en marche. Répéter l'opération jusqu'à ce que la poche d'air s'élimine. Si le problème persiste et que le tuyau de refoulement comporte un clapet de non-retour, on peut percer un trou-purgeur d'air de 4,8 mm ($\frac{3}{16}$ po) de diamètre dans le tuyau à environ 51 mm (2 po) en aval de l'orifice de refoulement de la pompe.</p> <p>Il faut peut-être une pompe plus puissante.</p> |
| <p>DÉBIT DE REFOULEMENT FAIBLE OU NUL</p> | <p>Clapet de non-retour posé à l'envers, obstrué ou coincé en position fermée</p> <p>Hauteur de charge trop élevée du système</p> <p>Entrée de pompe obstruée</p> <p>Connexions ou tension inappropriées</p> <p>Poche d'air dans la pompe</p> <p>Roue usée ou endommagée</p> <p>Contacteurs à flotteur défectueux ou mal placés</p> | <p>Vérifier l'orientation de la flèche sur le clapet de non-retour et le fonctionnement de ce dernier.</p> <p>Consulter le détaillant.</p> <p>Inspecter et dégager l'entrée au besoin.</p> <p>Vérifier le sens de rotation de la pompe, la tension et le câblage. Consulter un électricien.</p> <p>Voir le correctif recommandé pertinent ci-dessus.</p> <p>Inspecter la roue et la remplacer au besoin.</p> <p>Inspecter, régler ou remplacer les contacteurs au besoin.</p> |
| <p>CYCLE DE FONCTIONNEMENT RÉPÉTÉ SANS ARRÊT</p> | <p>Clapet de non-retour défectueux</p> <p>Installation de confinement des eaux d'égout trop petite</p> <p>Contacteurs à flotteur défectueux ou mal placés</p> <p>Débit de l'influent supérieur à celui de la pompe</p> | <p>Inspecter, réparer ou remplacer le clapet au besoin.</p> <p>Consulter le détaillant.</p> <p>Inspecter, régler ou remplacer les contacteurs au besoin.</p> <p>Consulter le détaillant.</p> |

GARANTIE LIMITÉE DU CONSOMMATEUR

Pour les biens vendus à des fins personnelles, familiales ou domestiques, le Vendeur garantit que les biens achetés ci-après (avec l'exception des membranes, joints, joints d'étanchéité, matériaux élastomères, revêtements et autres « pièces d'usure » ou consommables qui ne sont pas garantis sauf si autrement indiqué dans la proposition ou le formulaire de ventes) seront exempts de tout défaut de matériaux ou de fabrication pour une période de un (1) an à partir de la date d'installation ou 18 (18) mois à partir du code de date du produit, selon la première éventualité, à moins qu'une période plus longue soit prévue par la loi ou spécifiée dans la documentation du produit (la « Garantie »).

Sauf mention contraire dans la loi, le Vendeur devra, à sa discrétion et sans frais pour l'Acheteur, soit réparer soit remplacer tout produit qui ne se conforme pas avec la Garantie en autant que l'Acheteur donne un avis écrit au Vendeur de tous défauts de matériaux ou de fabrication en dedans de dix (10) jours de la date lorsque tous défauts ou non conformité se manifeste. Que ce soit pour une réparation ou un remplacement, le Vendeur ne sera pas obligé d'enlever ou de payer pour le retrait du produit défectueux ou d'installer ou de payer pour l'installation du produit remplacé ou réparé et l'Acheteur sera responsable de tous les autres coûts, incluant mais sans s'y limiter, les coûts de service, les frais et les dépenses de transport. Le Vendeur aura une absolue discrétion en ce qui concerne la méthode ou les moyens de réparation ou de remplacement. Le non-respect de l'Acheteur de se conformer aux directives de réparation ou de remplacement du Vendeur mettra fin aux obligations du Vendeur sous cette Garantie et annulera cette Garantie. Toutes les pièces réparées ou remplacées sous la Garantie sont garanties seulement pour le restant de la période de garantie sur les pièces qui ont été réparées ou remplacées. La Garantie est conditionnelle à ce que l'Acheteur donne un avis écrit au Vendeur de tous défauts dans les matériaux ou la fabrication des biens garantis en dedans de dix (10) jours de la date lorsque tous défauts se sont manifestés.

Le Vendeur n'aura aucune obligation de garantie à l'Acheteur en ce qui a trait à tout produit ou toutes pièces qui ont été : (a) réparés par des tiers autre que le Vendeur ou sans l'approbation écrite du Vendeur; (b) sujets à une mauvaise utilisation, un usage impropre, une altération, un accident, ou dommage physique; (c) utilisés de manière contraire aux instructions du Vendeur pour l'installation, le fonctionnement ou l'entretien; (d) endommagés par l'usure ordinaire, la corrosion, ou une attaque chimique; (e) endommagés à cause de conditions anormales, de vibrations, d'un manque dans une mise en service appropriée, ou d'un fonctionnement sans débit; (f) endommagés à cause d'une alimentation électrique défectueuse ou de protection électrique inappropriée; ou (g) endommagés suite à l'utilisation d'accessoires non vendus ou approuvés par le Vendeur. Dans tous les cas de produits non fabriqués par le Vendeur, il n'y a aucune garantie de la part du Vendeur; toutefois, le Vendeur prolongera à l'Acheteur toute garantie reçue du fournisseur du Vendeur de tels produits.

Politique de Goulds Water Technology concernant les ventes en ligne aux clients. Les propriétaires de maison utilisant l'Internet pour trouver des informations concernant les systèmes d'eau résidentielle, les systèmes d'eaux usées résidentielles, les commandes et les réservoirs peuvent découvrir plusieurs sites offrant la possibilité de faire des achats directs. Les systèmes d'eau et d'eaux usées résidentielles sont des applications très importantes conçues pour être installées par des professionnels qualifiés. Goulds Water Technology dispose d'un vaste réseau national de distributeurs et de concessionnaires ainsi que de revendeurs agréés. Pour obtenir une liste complète des distributeurs reconnus ainsi que des concessionnaires et des revendeurs agréés de Goulds Water Technology, veuillez consulter notre localisateur à : <http://goulds.com/sales-service/>

Aucune garantie n'est offerte sur l'équipement Goulds Water Technologie acheté sur l'Internet, incluant les options basées sur le Web provenant de détaillants non autorisés. Cette politique est nécessaire afin d'assurer que l'équipement de Goulds Water Technology est correctement installé, conformément aux lois, règlements et codes en vigueur, de manière qui couvre les préoccupations de sécurité et la bonne performance de l'équipement de Goulds Water Technology.

LA GARANTIE QUI PRÉCÈDE EST FOURNIE À LA PLACE DE TOUTES AUTRES GARANTIES EXPRESSES. TOUTES LES GARANTIES IMPLICITES, Y COMPRIS MAIS SANS S'Y LIMITER LES GARANTIES IMPLICITES DE VALEUR MARCHANDE ET D'ADAPTABILITÉ POUR UN BUT PARTICULIER, SONT LIMITÉES À UN (1) AN DE LA DATE DE L'INSTALLATION OU DIX-HUIT (18) MOIS DU CODE DE DATE DU PRODUIT, SELON LA PREMIÈRE ÉVENTUALITÉ. SAUF LORSQU'AUTREMENT REQUIS PAR LA LOI, L'UNIQUE RECOURS DE L'ACHETEUR ET LA RESPONSABILITÉ GLOBALE DU VENDEUR POUR VIOLATION DE TOUTES GARANTIES QUI PRÉCÈDENT SONT LIMITÉS À LA RÉPARATION OU AU REMPLACEMENT DU PRODUIT ET NE SERONT EN AUCUN CAS LIMITÉS AU MONTANT PAYÉ PAR L'ACHETEUR POUR LE PRODUIT DÉFECTUEUX. DANS AUCUN CAS LE VENDEUR NE SERA RESPONSABLE DE TOUTE AUTRE FORME DE DOMMAGES, QU'ILS SOIENT DIRECTS, INDIRECTS, LIQUIDÉS, ACCESSOIRES, PUNITIFS, EXEMPLAIRES OU DOMMAGES SPÉCIAUX, INCLUANT MAIS SANS S'Y LIMITER LA PERTE DE PROFIT, LA PERTE D'ÉCONOMIES OU DE REVENUS ANTICIPÉS, LA PERTE DE REVENU, LA PERTE COMMERCIALE, LA PERTE DE PRODUCTION, LA PERTE D'OPPORTUNITÉ OU LA PERTE DE RÉPUTATION.

Certaines provinces ne permettent pas de limiter la durée des garanties implicites, par conséquent la limite ci-dessus peut ne pas s'appliquer à vous. Certaines provinces ne permettent pas l'exclusion ou la limite de dommages accessoires ou indirects, par conséquent les exclusions ci-dessus peuvent ne pas s'appliquer à vous. Cette garantie vous confère des droits juridiques spécifiques, et vous pouvez également jouir d'autres droits qui peuvent varier d'une juridiction à l'autre.

Pour faire une réclamation de garantie, vérifier d'abord avec le concessionnaire où vous avez acheté le produit ou visiter www.xylem.com pour le nom et l'emplacement du concessionnaire le plus près qui offre un service de garantie.



Xylem Inc.
2881 East Bayard Street Ext., Suite A
Seneca Falls, NY 13148
Téléphone: (866) 325-4210
Télécopie: (888) 322-5877
www.gouldswatertechnology.com

Goulds est une marque déposée de Goulds Pumps, Inc. et est utilisé sous le permis.
© 2016, Xylem Inc. IM127 Révision numéro 6 Septembre 2016