



MARCH PUMPS

1819 PICKWICK AVE., GLENVIEW, IL 60026-1306, U.S.A
 PHONE: (847) 729-5300 - FAX: (847) 729-7062
 WWW.MARCHPUMP.COM

335-AP-MD 335-CP-MD

DESCRIPTION:

Series 335 pumps are centrifugal magnetic drive pumps, eliminating the need for a shaft seal. Pumps can be serviced with an adjustable wrench. See the parts list for a breakdown of parts.

OPERATION:

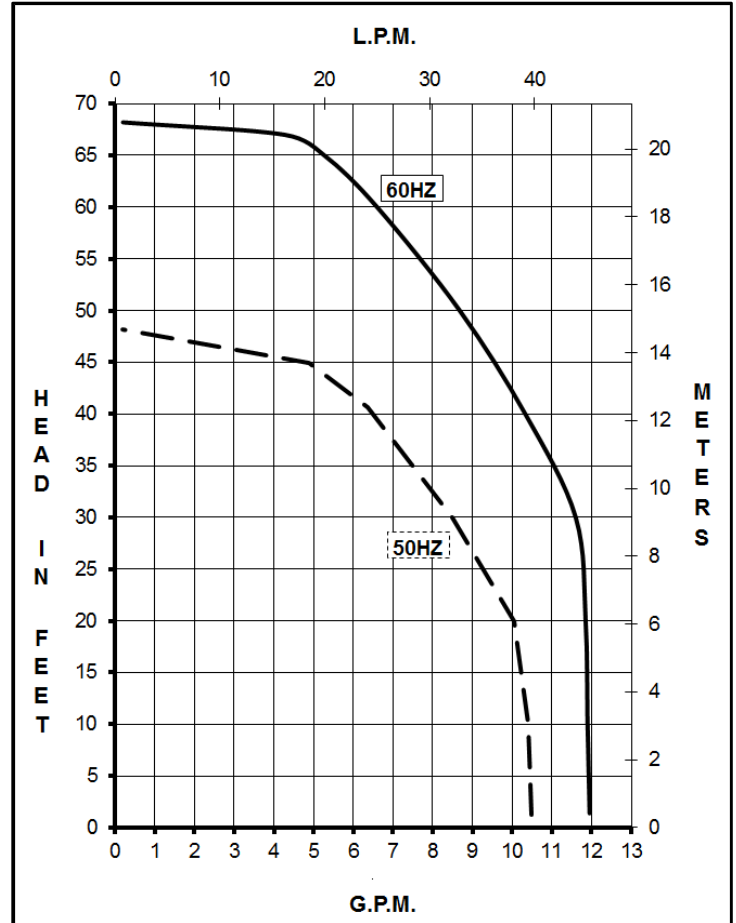
Pumps are not self-priming, lack a suction lift, and thus require a flooded suction. Pumps **cannot be run dry** because the impeller requires the liquid being pumped for lubrication. The direction of motor rotation should be clockwise when facing the inlet of the pump. For liquids with a specific gravity greater than water, have a higher viscosity, or for elevated temperatures, a trimmed impeller may be necessary. For application assistance, contact March Pump.

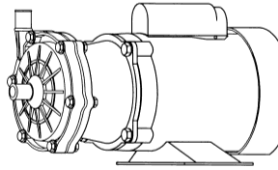
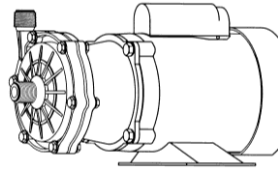
ELECTRICAL:

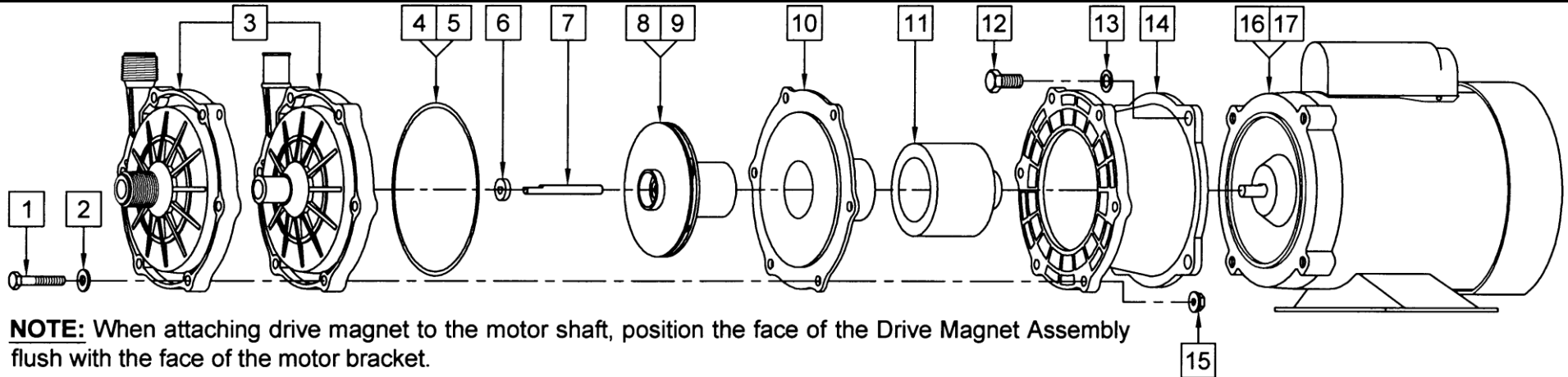
335 pumps are dual voltage 115/230, 1 phase 50/60 Hz or dual voltage 230/460 60 Hz (190/380 50 Hz), 3 phase, TEFC. Motors are totally enclosed fan cooled and are U.L. listed as well as rated for continuous operation. All motors have a conduit box for electrical connections.

LIMITED WARRANTY:

March pumps are guaranteed only against defects in workmanship or materials for a period of one year from date of manufacture pumping water. For the complete warranty and to register online go to www.marchpump.com/warranty-registration



SPECIFICATIONS	335-AP-MD										335-CP-MD									
																				
Model Abbreviations	A: Smooth Inlet/Outlet										C: Threaded Inlet/Outlet									
Product #	1 Phase					3 Phase					1 Phase					3 Phase				
	0335-0001-0300					0335-0001-0400					0335-0001-0100					0335-0001-0200				
UNITS	1 Phase					3 Phase					1 Phase					3 Phase				
	60 Hz	50 Hz	60 Hz	50 Hz		60 Hz	50 Hz	60 Hz	50 Hz		60 Hz	50 Hz	60 Hz	50 Hz		60 Hz	50 Hz	60 Hz	50 Hz	
Max Flow	12 gpm	37.8 lpm	12 gpm	37.8 lpm		12 gpm	37.8 lpm	12 gpm	37.8 lpm		12 gpm	37.8 lpm	12 gpm	37.8 lpm		12 gpm	37.8 lpm	12 gpm	37.8 lpm	
Max Head	68 ft / 29.4 psi	14.6 m	68 ft / 29.4 psi	14.6 m		68 ft / 29.4 psi	14.6 m	68 ft / 29.4 psi	14.6 m		68 ft / 29.4 psi	14.6 m	68 ft / 29.4 psi	14.6 m		68 ft / 29.4 psi	14.6 m	68 ft / 29.4 psi	14.6 m	
Inlet - Outlet	3/4" OD - 3/4"OD					3/4" OD - 3/4"OD					3/4" MPT - 3/4" MPT					3/4" MPT - 3/4" MPT				
Max Internal Pressure	50 psi / 344 kPa					50 psi / 344 kPa					50 psi / 344 kPa					50 psi / 344 kPa				
Max Liquid Temperature	190 °F / 87 °C					190 °F / 87 °C					190 °F / 87 °C					190 °F / 87 °C				
Packed Weight	23.80 lbs / 10.79 kg					28.10 lbs / 12.74 kg					23.80 lbs / 10.79 kg					28.10 lbs / 12.74 kg				
ELECTRICAL 60 Hz	V	W	A	Hp	Rpm	V	W	A	Hp	Rpm	V	W	A	Hp	Rpm	V	W	A	Hp	Rpm
	115	452	4.4	1/3	3450	230	425	1.2	1/3	3450	115	452	4.4	1/3	3450	230	425	1.2	1/3	3450
ELECTRICAL 50 Hz	V	W	A	kW	Rpm	V	W	A	kW	Rpm	V	W	A	kW	Rpm	V	W	A	kW	Rpm
	230	452	2.2	1/3	3450	460	425	0.6	1/3	3450	230	452	2.2	1/3	3450	460	425	0.6	1/3	3450
OVERALL SIZE	Height	Width	Length	Height	Width	Length	Height	Width	Length	Height	Width	Length	Height	Width	Length	Height	Width	Length		
	7.79"	7.74"	13.67"	7.44"	9.25"	14.49"	7.79"	7.74"	13.67"	7.44"	9.25"	14.49"	7.79"	7.74"	13.67"	7.44"	9.25"	14.49"		
	19.7 cm	19.6 cm	34.7 cm	18.8 cm	23.4 cm	36.8 cm	19.7 cm	19.6 cm	34.7 cm	18.8 cm	23.4 cm	36.8 cm	19.7 cm	19.6 cm	34.7 cm	18.8 cm	23.4 cm	36.8 cm		
Materials in Contact with Solution: Polypropylene, Ceramic, Viton																				
All info is based on pumping water & is intended as a guideline only. Specifications may vary with different motors.																				



#	DESCRIPTION	MATERIAL	SIZE (Inches)	QTY.	335-AP-MD	335-CP-MD
1	Screw	Stainless	1/4-20 x 1-1/2 Lg.	6	0153-0011-1000	
2	Washer	Stainless	1/4 ID x 5/8 OD	6	0157-0023-1000	
3	Front Housing w/Inlet & Outlet	Polypropylene	3/4 OD	1	0335-0003-1000	
3	Front Housing w/Inlet & Outlet	Polypropylene	3/4 MPT	1		0335-0002-1000
4	"O" Ring	Viton	1/8 CS x 5 OD	1	0335-0009-1000	
5	"O" Ring (Option)	Viton/Teflon		1	0335-0016-1000	
6	Thrust Washer	Ceramic		1	0821-0079-1000	
7	Shaft	Ceramic		1	0130-0024-1000	
8	Impeller	Polypropylene		1	0335-0005-0200	
9	Impeller w/Carbon Bushing (Option)	Polypropylene		1	0335-0005-0400	
10	Rear Housing w/Ceramic Thrust Washer	Polypropylene		1	0335-0004-0100	
11	Drive Magnet			1	0151-0061-0200	
12	Screw	Stainless	3/8-16 x 1 Lg.	4	0155-0017-1000	
13	Washer	Stainless	3/8 ID x 5/8 OD	4	0155-0019-1000	
14	Motor Bracket	Plastic		1	0335-0010-1000	
15	Hex Nut	Stainless	1/4-20	6	0156-0053-1000	
16	Motor, TEFC, 115/230 V, 50/60 Hz, 1 Phase			1	0151-0015-1000	
17	Motor, TEFC, 230/460 V, 50/60 Hz, 3 Phase (Not Shown)			1	0151-0039-1000	

Explosion proof and special voltage motors are available upon special order.

NOTE: Contact Factory for other materials and/or parts not listed. All dimensions are in inches unless otherwise marked.

0335-0011-1000 R8