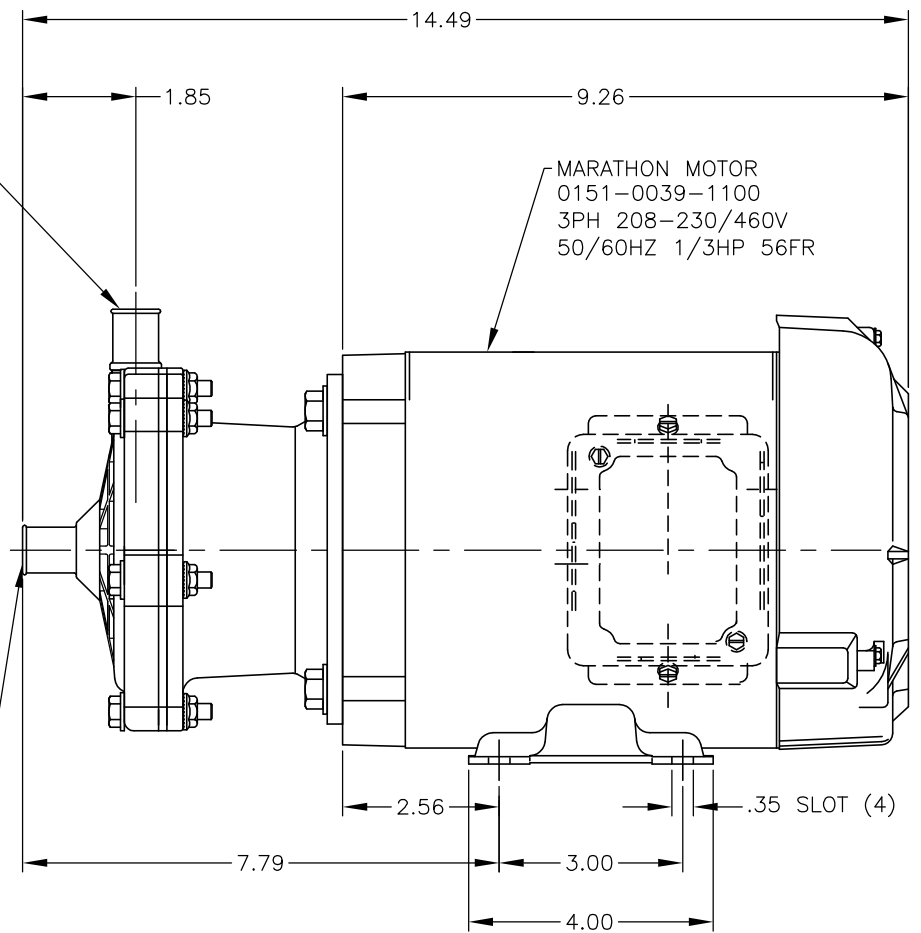


OUTLET FOR  
3/4" I.D.  
TUBING

INLET FOR  
3/4" I.D.  
TUBING



UNLESS NOTED  
OTHERWISE  
ALL DIMS. ARE  
IN INCHES.

DIMS. TOL.  
0.000  $\pm 0.005$   
0.00  $\pm 0.03$   
FRACTIONS  $\pm 1/64$   
ANGLES  $\pm 1^\circ$

# MARCH MFG. INC.

1819 PICKWICK AVE. GLENVIEW, ILLINOIS

DRAWN BY **JERRY**

CHKD BY **HANS**

FINISH

DRWG SIZE **D-22x34**

DATE **09/01/06**

DATE **09/01/06**

MOLD NO.

TOOL NO.

FIXTURE NO.

REV.	INITIALS	DATE	E.C.O.	CHANGE

CUSTOMER

MATERIAL

PART NO. **0335-0001-0400 d1**

REV.

PART NAME **Dimensional Assy 335AP-MD 3Ph 1/3HP (w/Marathon Mtr)**