



MARCH PUMPS

1819 PICKWICK AVE., GLENVIEW, IL 60026-1306, U.S.A
 PHONE: (847) 729-5300 - FAX: (847) 729-7062
 WWW.MARCHPUMP.COM

DESCRIPTION: Series 7.5 are centrifugal magnetic drive pumps, eliminating the need for a shaft seal. Pumps can be serviced with an adjustable wrench. See the parts list for a breakdown of parts.

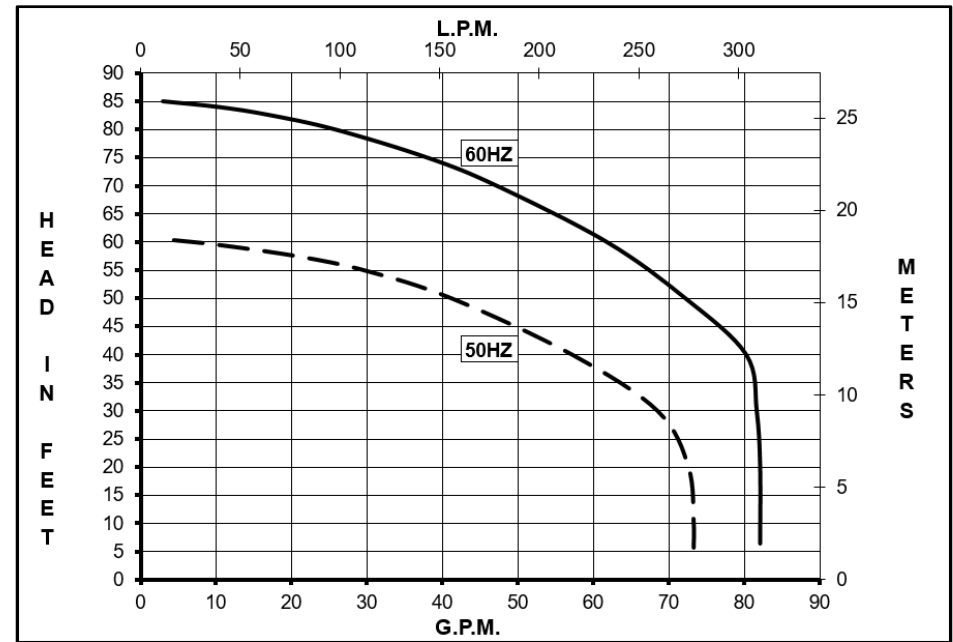
Model Abbreviations: K: Kynar, P: Polypropylene

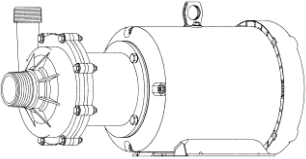
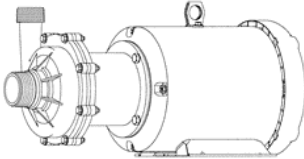
OPERATION: Pumps are not self-priming, lack a suction lift, and thus require a **flooded suction**. Pumps **cannot be run dry** because the impeller requires the liquid being pumped for lubrication. The direction of motor rotation should be clockwise when facing the inlet of the pump. For liquids with a specific gravity greater than water, have a higher viscosity, or for elevated temperatures, a trimmed impeller may be necessary. For application assistance, contact March Pump.

ELECTRICAL: Motors are available in different electrical configurations such as 1 phase 115/230 Volt 60 Hz, 110/220 Volt 50 Hz, or 3 phase 230/460 Volt 60 Hz, 190/380 Volt 50 Hz. The motors are U.L. listed and rated as continuous duty.

CAUTION IN ASSEMBLY & DISASSEMBLY: The magnetic coupling in the pump is strong enough to warrant caution. When servicing the pump, the attraction of the impeller magnet and drive magnet may pull the impeller from your grasp. When assembling, hold onto the outer diameter of the impeller vanes with both hands and gently engage the impeller into the magnet field. Hold the impeller firmly and resist the magnetic attraction as you slowly put the impeller back in. The magnetic forces are strongest between 1/3 to 2/3 of engagement and will diminish when the magnets become aligned. Do not allow the impeller to snap into the rear housing, doing so may result in damage. Exercise caution in placing any of the magnets near steel, tools, or other sensitive instruments as doing so may result in damage or personal injury. When attaching drive magnet to motor shaft, position the face of the drive magnet 5/32 inch above the face of the motor bracket.

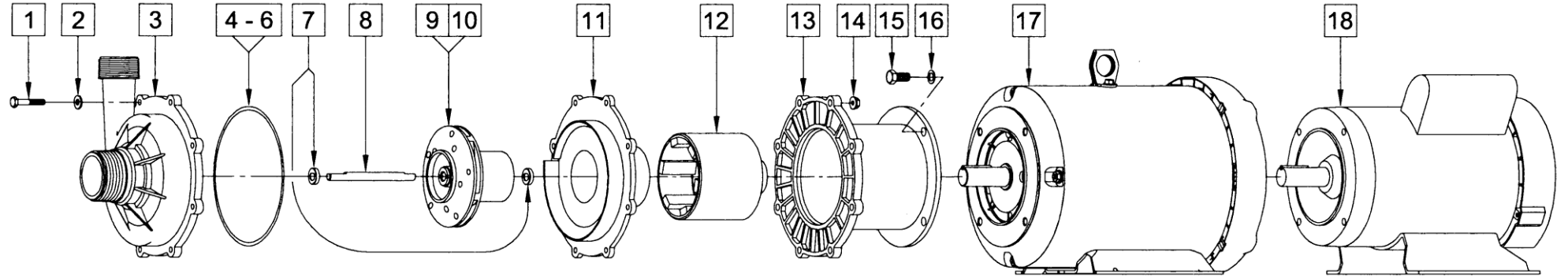
TE-7.5K-MD, TE-7.5P-MD



SPECIFICATIONS	TE-7.5K-MD													TE-7.5P-MD																
																														
	Product #	0156-0001-0200 0156-0001-0100												0156-0059-0400 0156-0059-0100																
Inlet - Outlet	2" MPT - 1-1/2" MPT												2" MPT - 1-1/2" MPT																	
Max Internal Pressure	60 psi (413 kPa)												60 psi (413 kPa)																	
Max Liquid Temperature	190 °F (87 °C)												190 °F (87 °C)																	
MODEL	60 Hz											50 Hz											Height		Width		Length		Packed Weight	
	Max Flow	Max Head	ELECTRICAL								Max Flow	Max Head	ELECTRICAL								Inches	cm	Inches	cm	Inches	cm	lbs	kg		
	gpm	lpm	ft	psi	m	Ph	V	A	Hp	kW	Rpm	gpm	lpm	ft	psi	m	Ph	V	A	Hp	kW	Rpm								
TE-7.5K-MD	82	310	85	36.8	26	1	115	22	2	1.491	3450	70.8	268	59	25.6	18	1	100	20	1.5	1.118	2850	10	25.4	9.53	24.2	19.58	49.7	64.80	29.39
							230	11										200	10											
TE-7.5K-MD	82	310	85	36.8	26	3	230	4.8	2	1.491	3450	70.8	268	59	25.6	18	3	190	4.6	1.5	1.118	2850	10	25.4	11.33	28.7	20.67	52.5	97.00	43.99
							460	2.4										380	2.3											
TE-7.5P-MD	82	310	85	36.8	26	1	115	22	2	1.491	3450	70.8	268	59	25.6	18	1	100	20	1.5	1.118	2850	10	25.4	9.53	24.2	19.58	49.7	64.80	29.39
							230	11										200	10											
TE-7.5P-MD	82	310	85	36.8	26	3	230	4.8	2	1.491	3450	70.8	268	59	25.6	18	3	190	4.6	1.5	1.118	2850	10	25.4	11.33	28.7	20.67	52.5	97.00	43.99
							460	2.4										380	2.3											

All specifications & data are based on pumping water & are intended as a guideline only. Specifications may vary with different motors.

REPAIR PARTS LIST



TE-7.5K-MD

#	DESCRIPTION	MATERIAL	SIZE (Inches)	QTY.	PART #
1	Screw	Stainless Steel	1/4-20 x 1-1/2 Lg.	8	0153-0011-1000
2	Washer	Stainless Steel	1/4 ID x 5/8 OD	8	0157-0023-1000
3A	Front Housing	Natural Kynar		1	0156-0001-1000
4	"O" Ring	Viton	0.157 CS x 6.457 ID	1	0156-0010-1000
5	"O" Ring (Option)	Viton/Teflon	0.157 CS x 6.457 ID	1	0156-0023-1000
6	"O" Ring (Option)	EPDM	0.157 CS x 6.457 ID	1	0156-0034-1000
7	Thrust Washer (Front & Rear)	Ceramic		2	0156-0016-1000
8	Shaft	Ceramic	4.500 Lg.	1	0156-0007-1000
9A	Impeller w/Carbon Bushing	Natural Kynar		1	0156-0004-0200
10A	Impeller w/Mica Teflon Bushings (Option)	Natural Kynar		1	0156-0004-0300
11A	Rear Housing	Natural Kynar		1	0156-0002-1000
12	Drive Magnet			1	0156-0009-0100
13	Motor Bracket	Plastic		1	0156-0041-1000
14	Hex Nut	Stainless Steel	1/4-20	8	0156-0053-1000
15	Screw	Stainless Steel	3/8-16 x 1 Lg.	4	0155-0017-1000
16	Washer	Stainless Steel	3/8 ID x 5/8 OD	4	0155-0019-1000
17	Motor, TEFC, 2 HP, 230/460 V, 50/60 Hz, 3 Phase			1	0156-0008-1000
18	Motor, TEFC, 2 HP, 115/230 V, 50/60 Hz, 1 Phase			1	0156-0022-1000
W1	Wet End Kit (Items: 1, 2, 3, 4, 7, 8, 9, 11,14)			1	0156-0031-0100

TE-7.5P-MD

#	DESCRIPTION	MATERIAL	SIZE (Inches)	QTY.	PART #
1	Screw	Stainless Steel	1/4-20 x 1-1/2 Lg.	8	0153-0011-1000
2	Washer	Stainless Steel	1/4 ID x 5/8 OD	8	0157-0023-1000
3B	Front Housing	Polypropylene		1	0156-0060-1000
4	"O" Ring	Viton	0.157 CS x 6.457 ID	1	0156-0010-1000
6	"O" Ring (Option)	EPDM	0.157 CS x 6.457 ID	1	0156-0034-1000
7	Thrust Washer (Front & Rear)	Ceramic		2	0156-0016-1000
8	Shaft	Ceramic	4.500 Lg.	1	0156-0007-1000
9B	Impeller w/Carbon Bushing	Polypropylene		1	0156-0064-0200
10B	Impeller w/Mica Teflon Bushings (Option)	Polypropylene		1	0156-0064-0300
11B	Rear Housing	Polypropylene		1	0156-0061-1000
12	Drive Magnet			1	0156-0009-0100
13	Motor Bracket	Plastic		1	0156-0041-1000
14	Hex Nut	Stainless Steel	1/4-20	8	0156-0053-1000
15	Screw	Stainless Steel	3/8-16 x 1 Lg.	4	0155-0017-1000
16	Washer	Stainless Steel	3/8 ID x 5/8 OD	4	0155-0019-1000
17	Motor, TEFC, 2 HP, 230/460 V, 50/60 Hz, 3 Phase			1	0156-0008-1000
18	Motor, TEFC, 2 HP, 115/230 V, 50/60 Hz, 1 Phase			1	0156-0022-1000
W2	Wet End Kit (Items: 1, 2, 3, 4, 7, 8, 9, 11,14)			1	0156-0066-0100

Materials in Contact With Solution:

Natural Kynar (PVDF), Ceramic, Viton, Carbon

Materials in Contact With Solution:

Polypropylene, Ceramic, Viton, Carbon

LIMITED WARRANTY: March pumps are guaranteed only against defects in workmanship or materials for a period of one year from date of manufacture pumping water. For the complete warranty and to register online go to www.marchpump.com/warranty-registration

Explosion proof and special voltage motors are available upon special order.

NOTE: Contact Factory for other materials and/or parts not listed.

0156-0015-1000 R17