



MARCH PUMPS

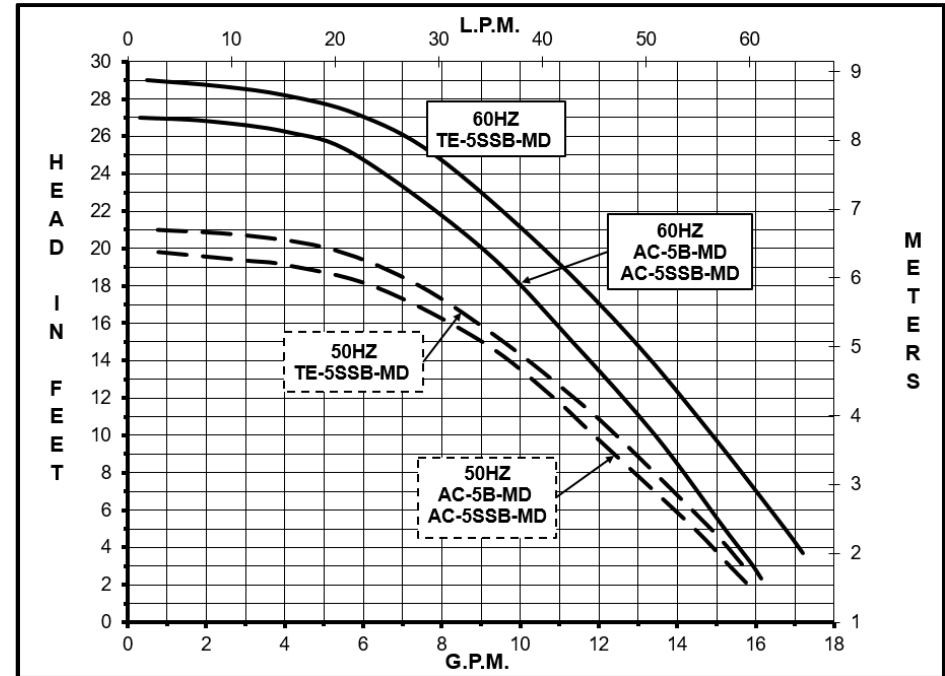
1819 PICKWICK AVE., GLENVIEW, IL 60026-1306, U.S.A
 PHONE: (847) 729-5300 - FAX: (847) 729-7062
 WWW.MARCHPUMP.COM

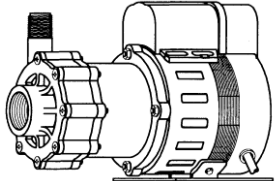
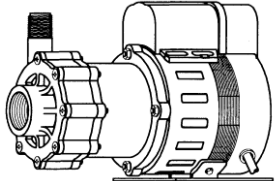
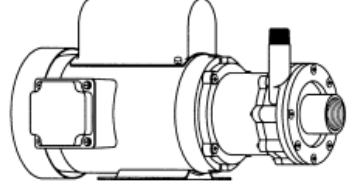
BEER PUMPS 5 Series

DESCRIPTION: The March beer pump is a non-self-priming magnetic drive unit built specifically to handle hot wort and water. The unit requires liquid being pumped to lubricate the internal parts. If the pump is run dry for a period of time the impeller and shaft may become damaged. To regulate the flow use a valve on the discharge/outlet.

ELECTRICAL: AC-5B-MD and AC-5SSB-MD have an air cooled 1 phase motor that is either 115 Volt or 230 Volt, 50/60 Hz and a 3 ft. cord. TE-5SSB-MD has a dual 115/230 Volt, 50/60 Hz, 1 phase TEFC motor with a conduit box.

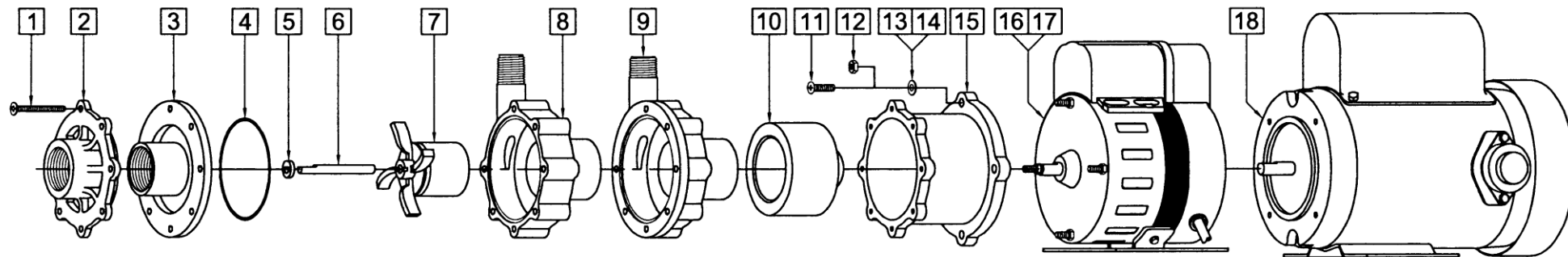
LIMITED WARRANTY: March pumps are guaranteed only against defects in workmanship or materials for a period of one year from date of manufacture pumping water. Register online at www.marchpump.com/warranty-registration



SPECIFICATIONS																														
	AC-5B-MD					AC-5SSB-MD					TE-5SSB-MD																			
MODELS	AC-5B-MD					AC-5SSB-MD					TE-5SSB-MD																			
Product #	115 V 0150-0202-0100					0150-0208-0100																								
	230 V 0150-0202-0200					0150-0208-0200																								
	Dual V										0150-0202-0500																			
	Polysulfone					Stainless					Stainless																			
UNITS	60 Hz		50 Hz			60 Hz		50 Hz			60 Hz		50 Hz																	
Max Flow	17 gpm		60 lpm			17 gpm		60 lpm			18 gpm		60.5 lpm																	
Max Head	27 ft. / 11.7 psi		6 m			27 ft. / 11.7 psi		6 m			29 ft. / 12.5 psi		6.3 m																	
Inlet - Outlet	1" FPT - 1/2" MPT		1" FPT - 1/2" MPT			1" FPT - 1/2" MPT		1" FPT - 1/2" MPT			1" FPT - 1/2" MPT		1" FPT - 1/2" MPT																	
Internal Pressure	50 psi / 3.4 bar Max		50 psi / 3.4 bar Max			200 psi / 13 bar Max		200 psi / 13 bar Max			200 psi / 13 bar Max		200 psi / 13 bar Max																	
Liquid Temperature	250 °F / 121 °C Max		250 °F / 121 °C Max			250 °F / 121 °C Max		250 °F / 121 °C Max			250 °F / 121 °C Max		250 °F / 121 °C Max																	
Packed Weight	9.5 lbs / 4.3 kg		9.5 lbs / 4.3 kg			12.5 lbs / 5.6 kg		12.5 lbs / 5.6 kg			25.75 lbs / 11.68 kg		25.75 lbs / 11.68 kg																	
ELECTRICAL	V	W	A	Hp	Rpm	V	W	A	kW	Rpm	V	W	A	Hp	Rpm	V	W	A	kW	Rpm										
	115	234	2.1	1/8	3450	115	214	2.1	0.093	2850	115	234	2.1	1/8	3450	115	214	2.1	0.093	2850	115	255	2.10	0.2	3450	110	177	2.2	0.149	2850
	230	250	1	1/8	3450	230	223	1	0.093	2850	230	250	1	1/8	3450	230	223	1	0.093	2850	230	255	1.05	0.2	3450	220	177	1.1	0.149	2850
Overall Pump Size	Height		Width		Length		Height		Width		Length		Height		Width		Length													
Inches	6.19		4.52		9.27		6.19		4.52		9.27		7.19		8.02		13.31													
cm	15.7		11.4		23.5		15.7		11.4		23.5		18.2		20.3		33.8													

All specifications & data are based on pumping water & are intended as a guideline only. Specifications may vary with different motors.

PARTS LIST



#	DESCRIPTION	MATERIAL	SIZE (Inches)	QTY.	AC-5B-MD	AC-5SSB-MD	TE-5SSB-MD
1	Screw	Stainless	#8-32 x 1-3/4 Lg.	7		0150-0021-1000	
2	Cover	Polysulfone		1	0150-0189-1000		
3	Cover	Stainless		1		0150-0111-0010	0150-0111-0010
4	"O" Ring	Buna-N		1		0750-0981-1000	
5	Thrust Washer	Ceramic		1		0130-0028-1000	
6	Shaft	Stainless		1		0939-0003-1000	
7	Impeller w/Shell	Polysulfone/Stainless		1		0150-0173-0200	
8	Rear Housing	Polysulfone/Ceramic	w/Thrust Washer	1	0150-0203-0100		
9	Rear Housing	Stainless		1		0150-0110-0010	0150-0110-0010
10	Drive Magnet	Plastic		1	0150-0081-0100	0150-0081-0100	0150-0176-0300
11	Screw	Stainless	#10-32 x 3/4 Lg.	4			0150-0050-1000
12	Hex Nut	Stainless	#10-32	4	0625-0024-1000	0625-0024-1000	
13	Washer	Stainless	#10	4			0150-0051-1000
14	Lock Washer	Stainless	#10 Internal Tooth	4	0802-0006-1000	0802-0006-1000	
15	Motor Bracket	Plastic		1	0150-0070-0100	0150-0126-0100	0150-0126-0100
16	Motor 115 V, 50/60 Hz w/base	3 foot cord		1	0150-0027-1000	0150-0027-1000	
17	Motor 230 V, 50/60 Hz w/base	3 foot cord		1	0150-0040-1000	0150-0040-1000	
18	Motor, TEFC, 115/230 V, 50/60 Hz			1			0150-0090-1000

NOTE: Contact Factory for other materials and/or parts not listed.

0750-0976-1100