



# MARCH PUMPS

1819 PICKWICK AVE., GLENVIEW, IL 60026-1306, U.S.A  
 PHONE: (847) 729-5300 - FAX: (847) 729-7062  
 WWW.MARCHPUMP.COM

## Pumps with Air Motors

### CONSTRUCTION & SERVICING:

The pumps listed below are magnetic drive centrifugal pumps. Hence, there is no rotating seal to wear and allow the liquid being pumped to leak out. All pumps are serviceable with the use of a screwdriver or wrench. The only moving part other than the motor is the Impeller Assembly. This assembly rotates on a stationary shaft and up against a thrust washer. These are the only parts that can wear, and may need to be replaced. See the parts list for parts.

### OPERATION:

Pumps must be installed with a positive flooded suction, as they are not self-priming and will not produce a suction lift. March Pumps utilize the liquid being pumped to lubricate the Impeller Assembly rotating on the stationary shaft, and therefore they should not run dry. A carbon bushing on the 4 & 5 series will enable dry running protection. The direction of the motor rotation should be clockwise looking into the inlet of the pump. A trimmed impeller may be necessary when pumping a liquid with a specific gravity or viscosity greater than water as well in cases of high liquid temperature.

### MOTORS:

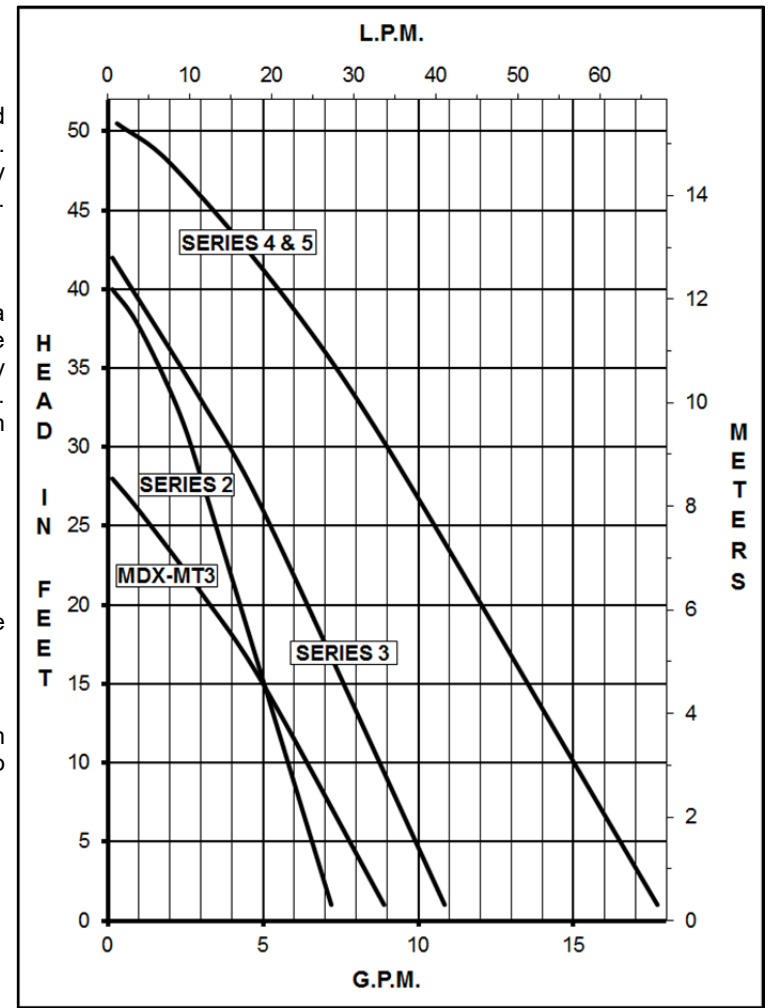
All models have an air motor. All have a 1/8" NPT air connection. Motors are 1/8 Hp (0.093 kW).

### AIR MOTOR INSTALLATION:

Install a moisture trap, filter, and an automatic airline lubricator in the air line just ahead of the air motor. Use detergent SAE #10 automotive engine oil.

### LIMITED WARRANTY:

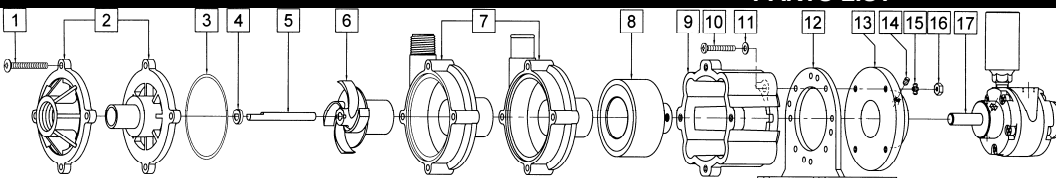
March pumps are guaranteed only against defects in workmanship or materials for a period of one year from date of manufacture pumping water. For the complete warranty and to register online go to [www.marchpump.com/warranty-registration](http://www.marchpump.com/warranty-registration)



SPECIFICATIONS	BC-2CP-MD-AM	BC-3CP-MD-AM	BC-3AP-MD-AM	MDX-MT3-AM	MDK-MT3-AM	BC-4C-MD-AM	BC-4A-MD-AM											
Product #	0125-0088-0300	0130-0018-0700	0130-0018-0900	0135-0036-0200	0135-0036-0300	0145-0010-0600	0145-0053-0100											
Model Abbreviations	C: Threaded Inlet/Outlet	C: Threaded Inlet/Outlet	A: Smooth Inlet/Outlet	K: Kynar		C: Threaded Inlet/Outlet	A: Smooth Inlet/Outlet											
Max Flow	7.2 gpm / 27.2 lpm	10.5 gpm / 39.7 lpm	10.5 gpm / 39.7 lpm	9 gpm / 34.0 lpm		18 gpm / 68.1 lpm	18 gpm / 68.1 lpm											
Max Head	40 ft / 17.3 psi - 12.1 m	42 ft / 18.2 psi - 12.8 m	42 ft / 18.2 psi - 12.8 m	28 ft / 12.1 psi - 8.5 m		50 ft / 21.6 psi - 15.2 m	50 ft / 21.6 psi - 15.2 m											
Inlet	3/8" FPT & 3/4" MPT	3/4" FPT	3/4" OD	1/2" MPT		1" FPT	1" OD											
Outlet	1/4" MPT	1/2" MPT	3/4" OD	1/2" MPT		1/2" MPT	3/4" OD											
Max Internal Pressure	50 psi / 344 kPa	50 psi / 344 kPa	50 psi / 344 kPa	75 psi / 517 kPa		50 psi / 344 kPa	50 psi / 344 kPa											
Max Liquid Temperature	190 °F / 87 °C	190 °F / 87 °C	190 °F / 87 °C	200 °F / 93 °C		190 °F / 87 °C	190 °F / 87 °C											
Packed Weight	4 lbs / 1.8 kg	4.5 lbs / 2 kg	4.5 lbs / 2 kg	4 lbs / 1.8 kg		5 lbs / 2.3 kg	5 lbs / 2.3 kg											
Max Air Pressure & CFM	23 psi / 1.5 bar @ 4 CFM	29 psi / 2 bar @ 4 CFM	29 psi / 2 bar @ 4 CFM	21 psi / 1.4 bar @ 3 CFM		65 psi / 4.4 bar @ 8 CFM	65 psi / 4.4 bar @ 8 CFM											
Overall Pump Size	Height	Width	Length	Height	Width	Length	Height	Width	Length	Height	Width	Length	Height	Width	Length	Height	Width	Length
	5.72"	4.5"	7"	5.72"	4.5"	7.33"	5.72"	4.5"	7.33"	5.72"	4.5"	7.42"	5.72"	4.5"	8.28"	5.72"	4.5"	8.84"
	14.5 cm	11.4 cm	17.7 cm	14.5 cm	11.4 cm	18.6 cm	14.5 cm	11.4 cm	18.6 cm	14.5 cm	11.4 cm	18.8 cm	14.5 cm	7.33 cm	21 cm	14.5 cm	7.33 cm	22.4 cm
Materials in Contact w/Solution:	Polypropylene Ceramic Viton		Polypropylene Ceramic Viton		Polypropylene Ceramic Viton		Ryton Ceramic Viton	Kynar/Carbon Filled Ceramic Viton	Polypropylene Ceramic Viton		Polypropylene Ceramic Viton							

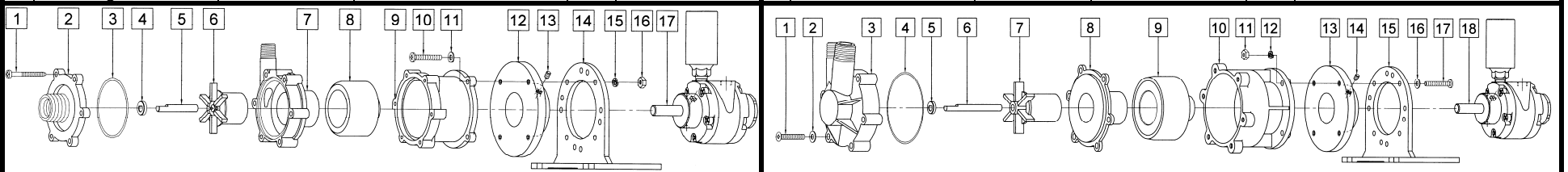
All specifications & data are based on pumping water & are intended as a guideline only. Specifications may vary with different motors.

### PARTS LIST



BC-3CP-MD-AM & BC-3AP-MD-AM

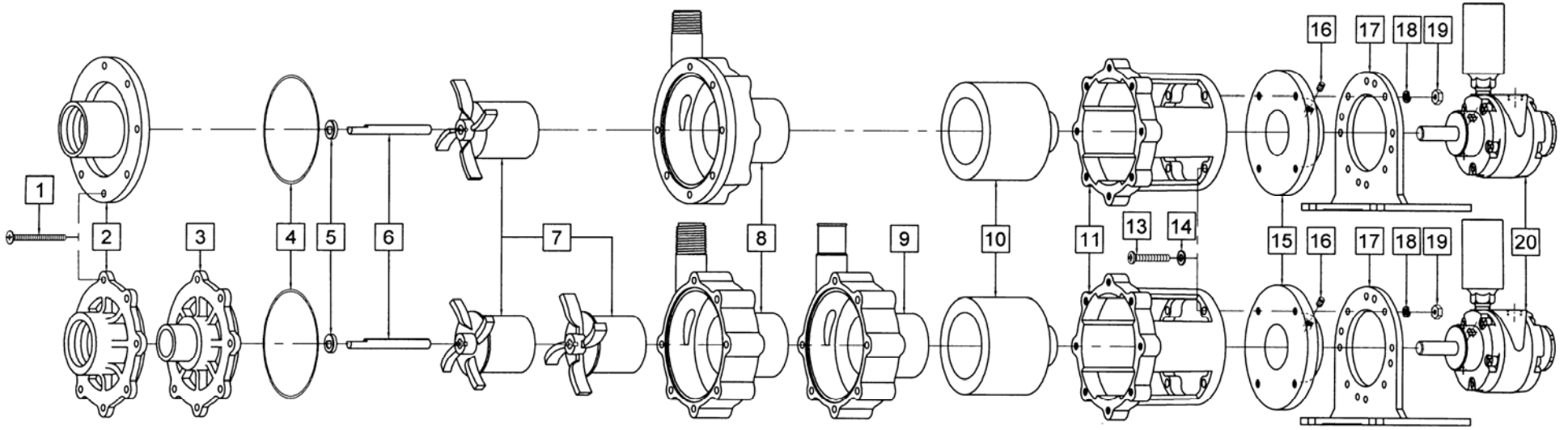
#	DESCRIPTION	MATERIAL	SIZE (Inches)	QTY.	PART #	#	DESCRIPTION	MATERIAL	SIZE (Inches)	QTY.	PART #
1	Screw	Stainless	#10-32 x 1-1/2 Lg.	4	0823-0008-1000	9	Motor Bracket			1	0130-0066-0100
2	Cover	Polypropylene	3/4 OD Inlet	1	0130-0064-1000	10	Screw	Stainless	#8-32 x 1-1/8 Lg.	4	0115-0023-1000
2	Cover	Polypropylene	3/4 FPT Inlet	1	0130-0021-1000	11	Washer		#8	4	0858-0004-1000
3	"O" Ring	Viton	3/32 CS x 2-13/16 OD	1	0130-0033-1000	12	Base			1	0125-0106-1000
4	Thrust Washer	Ceramic		1	0130-0028-1000	13	Connecting Bracket			1	0986-0001-0100
5	Shaft	Ceramic	1/4 OD x 2.5 Lg.	1	0130-0024-1000	14	Set Screw		#8-32	2	0210-0038-1000
6	Impeller Encapsulated	Polypropylene		1	0130-0069-0200	15	Lock Washer		#8 External Tooth	4	0140-0014-1000
7	Rear Housing	Polypropylene	3/4 OD Outlet	1	0130-0102-1000	16	Nut		#8	4	0410-0039-1000
7	Rear Housing	Polypropylene	1/2 MPT Outlet	1	0130-0018-1000	17	Air Motor			1	0986-0002-1000
8	Drive Magnet			1	0130-0043-0300						



#	DESCRIPTION	MATERIAL	SIZE (Inches)	QTY.	BC-2CP-MD-AM	#	DESCRIPTION	MATERIAL	SIZE (Inches)	QTY.	MDX-MT3-AM	MDK-MT3-AM
1	Screw Self Tapping	Stainless	#7-19 x 1-7/16 Lg.	6	0115-0062-1000	1	Screw	Stainless	#10-32 x 1-1/8 Lg.	6	0135-0181-1000	
2	Cover	Polypropylene	3/8 FPT & 3/4 MPT Inlet	1	0125-0056-1000	2	Washer	Stainless	#10	6	0150-0051-1000	
3	"O" Ring	Viton	3/32 CS x 2-3/16 OD	1	0125-0065-1000	3	Front Housing	Ryton Kynar	1/2 MPT	1	0135-0088-1000	0135-0152-1000
4	Thrust Washer	Ceramic		1	0130-0028-1000	4	"O" Ring	Viton	1/16 CS x 2-7/8 OD	1	0135-0046-1000	
5	Shaft	Ceramic	1/4 OD x 1.593 Lg.	1	0125-0061-1000	5	Thrust Washer	Ceramic		1	0130-0028-1000	
6	Impeller Encapsulated	Polypropylene		1	0125-0087-0200	6	Shaft	Ceramic	1/4 OD x 2.5 Lg.	1	0130-0024-1000	
7	Rear Housing	Polypropylene	1/4 MPT Outlet	1	0125-0058-1000	7	Impeller Encapsulated	Ryton Kynar		1	0135-0113-0200	0135-0154-0200
8	Drive Magnet			1	0125-0092-0000	8	Rear Housing	Ryton Kynar		1	0135-0087-1000	0135-0153-1000
9	Motor Bracket			1	0125-0069-1000	9	Drive Magnet			1	0130-0043-0300	
10	Screw		#8-32 x 1-1/8 Lg.	4	0115-0023-1000	10	Motor Bracket			1	0135-0135-0000	
11	Washer		#8	4	0858-0004-1000	11	Nut		#8	4	0410-0039-1000	
12	Connecting Bracket			1	0986-0001-0100	12	Split Lock Washer		#8	4	0858-0003-1000	
13	Set Screw		#8-32	2	0210-0038-1000	13	Connecting Bracket			1	0986-0001-0100	
14	Base			1	0125-0106-1000	14	Set Screw		#8-32	2	0210-0038-1000	
15	Split Lock Washer		#8	4	0858-0003-1000	15	Base			1	0125-0106-1000	
16	Nut		#8	4	0410-0039-1000	16	Washer		#8	4	0858-0004-1000	
17	Air Motor			1	0986-0002-1000	17	Screw		#8-32 x 1-1/8 Lg.	4	0115-0023-1000	
						18	Air Motor			1	0986-0002-1000	

NOTE: Contact Factory for other materials and/or parts not listed

SPECIFICATIONS	TE-5C-MD-AM	TE-5K-MD-AM	TE-5S-MD-AM						
	Product #	0150-0120-0300	0150-0120-0400	0150-0120-0500					
Model Abbreviations	C: Threaded Inlet/Outlet	K: Kynar	S: Stainless						
Max Flow	18 gpm / 68.1 lpm	18 gpm / 68.1 lpm	18 gpm / 68.1 lpm						
Max Head	50 ft / 21.6 psi - 15.2 m	50 ft / 21.6 psi - 15.2 m	50 ft / 21.6 psi - 15.2 m						
Inlet - Outlet	1" FPT - 1/2" MPT	1" FPT - 1/2" MPT	1" FPT - 1/2" MPT						
Max Internal Pressure	50 psi / 344 kPa	75 psi / 517 kPa	200 psi / 1378 kPa						
Max Liquid Temperature	190 °F / 87 °C	200 °F / 93 °C	250 °F / 121 °C						
Packed Weight	5 lbs / 2.3 kg	5 lbs / 2.3 kg	7.5 lbs / 3 kg						
Max Air Pressure & CFM	60 psi / 4.1 bar @ 7 CFM	60 psi / 4.1 bar @ 7 CFM	60 psi / 4.1 bar @ 7 CFM						
Overall Pump Size	Height	Width	Length	Height	Width	Length	Height	Width	Length
	5.72"	4.5"	8.28"	5.72"	4.5"	8.28"	5.72"	4.5"	8.59"
	14.5 cm	7.33 cm	21 cm	14.5 cm	7.33 cm	21 cm	14.5 cm	7.33 cm	21.8 cm
Materials in Contact w/Solution:	Polypropylene, Ceramic, Viton		Kynar/Carbon Filled, Viton, Ceramic		316 Stainless Steel, Viton, Ceramic, Carbon				
All specifications & data are based on pumping water & are intended as a guideline only. Specifications may vary with different motors.									



PARTS LIST									
#	DESCRIPTION	BC-4C-MD-AM	BC-4A-MD-AM	SIZE (Inches)	QTY.	BC-4C-MD-AM	BC-4A-MD-AM		
1	Screw		Stainless	#8-32 x 1-3/4 Lg.	7	0150-0021-1000			
2	Cover	Polypropylene		1 FPT Inlet	1	0150-0032-1000			
3	Cover		Polypropylene	1 OD Inlet	1			0150-0150-1000	
4	"O" Ring		Viton	0.078 CS x 2.834 ID	1	0750-0986-1000			
5	Thrust Washer		Ceramic		1	0130-0028-1000			
6	Shaft		Ceramic	1/4 OD x 2.5 Lg.	1	0130-0024-1000			
7	Impeller Encapsulated		Polypropylene		1	0145-0033-0200			
8	Rear Housing	Polypropylene w/Ceramic Thrust Washer		1/2 MPT Outlet	1	0150-0031-0100			
9	Rear Housing		Polypropylene w/Ceramic Thrust Washer	3/4 OD Outlet	1			0150-0159-0100	
10	Drive Magnet					0151-0061-0200			
11	Motor Bracket					0145-0010-1000			
13	Screw			#8-32 x 1-1/8 Lg.	4	0115-0023-1000			
14	Washer			#8	4	0858-0004-1000			
15	Connecting Bracket				1	0986-0001-0100			
16	Set Screw			#8-32	2	0210-0038-1000			
17	Base				1	0125-0106-1000			
18	Split Lock Washer			#8	4	0858-0003-1000			
19	Nut			#8	4	0410-0039-1000			
20	Air Motor				1	0986-0002-1000			
#	DESCRIPTION	TE-5C-MD-AM	TE-5K-MD-AM	TE-5S-MD-AM	SIZE (Inches)	QTY.	TE-5C-MD-AM	TE-5K-MD-AM	TE-5S-MD-AM
1	Screw		Stainless		#8-32 x 1-3/4 Lg.	7	0150-0021-1000		
2	Cover	Polypropylene	Kynar	316 Stainless	1 FPT Inlet	1	0150-0032-1000	0150-0124-1000	0150-0111-0000
4	"O" Ring		Viton		0.078 CS x 2.834 ID	1	0750-0986-1000		
5	Thrust Washer		Ceramic			1	0130-0028-1000		
6	Shaft		Ceramic		1/4 OD x 2.5 Lg.	1	0130-0024-1000		
7	Impeller Encapsulated	Polypropylene	Kynar	Stainless w/Carbon Bushing		1	0150-0098-0200	0150-0125-0200	0150-0114-0400
8	Rear Housing	Polypropylene w/Ceramic Thrust Washer	Kynar w/Ceramic Thrust Washer	316 Stainless	1/2 MPT Outlet	1	0150-0031-0100	0150-0123-0100	0150-0110-0000
10	Drive Magnet					1	0151-0061-0200		
11	Motor Bracket					1	0145-0010-1000		
13	Screw				#8-32 x 1-1/8 Lg.	4	0115-0023-1000		
14	Washer				#8	4	0858-0004-1000		
15	Connecting Bracket					1	0986-0001-0100		
16	Set Screw				#8-32	2	0210-0038-1000		
17	Base					1	0125-0106-1000		
18	Split Lock Washer				#8	4	0858-0003-1000		
19	Nut				#8	4	0410-0039-1000		
20	Air Motor					1	0986-0002-1000		

NOTE: Contact Factory for other materials and/or parts not listed.

0750-0979-1000 R10