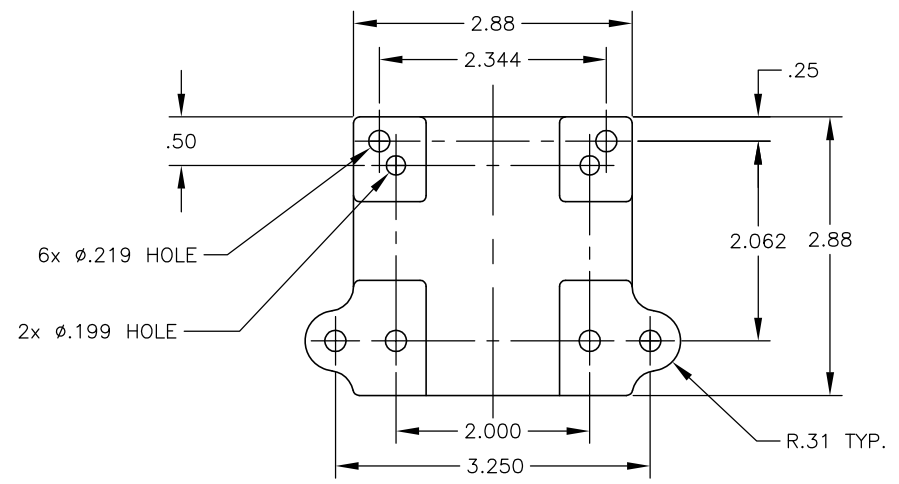
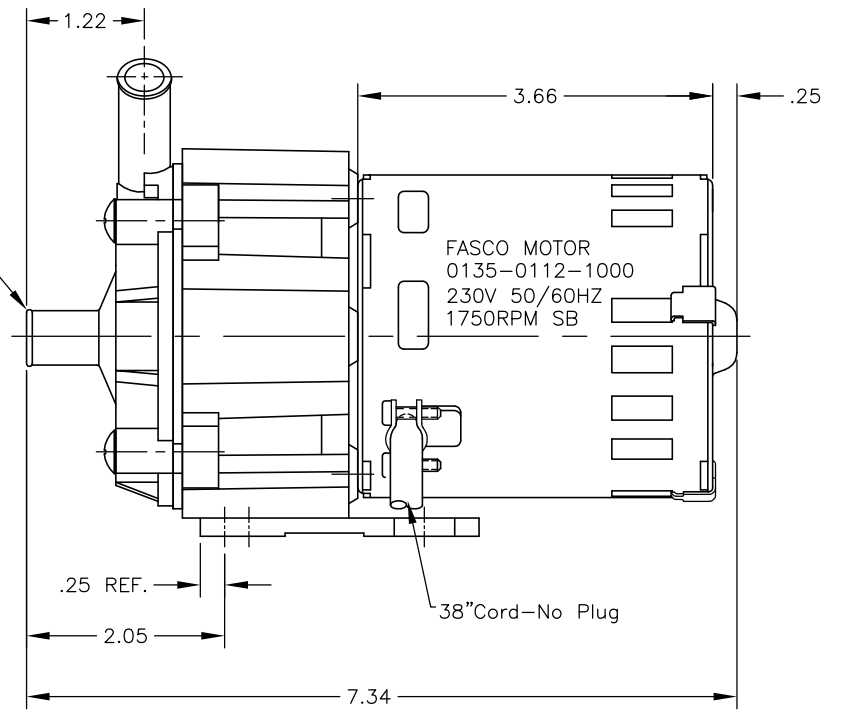


INLET FOR  
1/2" I.D.  
TUBING



UNLESS NOTED  
OTHERWISE  
ALL DIMS. ARE  
IN INCHES.

DIMS. TOL.  
0.000 ±0.005  
0.00 ±0.03  
FRACTIONS ±1/64  
ANGLES ±1°

# MARCH MFG. INC.

1819 PICKWICK AVE. GLENVIEW, ILLINOIS

|                       |                      |             |                          |
|-----------------------|----------------------|-------------|--------------------------|
| DRAWN BY <b>JERRY</b> | CHKD BY <b>HANS</b>  | FINISH      | DRWG SIZE <b>13 x 20</b> |
| DATE <b>08/14/07</b>  | DATE <b>08/14/07</b> | MOLD NO.    | TOOL NO.                 |
|                       |                      | FIXTURE NO. |                          |

THIS DOCUMENT DISCLOSES SUBJECT MATTER IN WHICH MARCH MFG. INC. HAS PROPRIETARY RIGHTS, NEITHER RECEIPT NOR POSSESSION THEREOF CONFERS OR TRANSFERS ANY RIGHT TO REPRODUCE OR DISCLOSE THE DOCUMENT, ANY PART THEREOF, ANY INFORMATION CONTAINED THEREIN, OR ANY PHYSICAL ARTICLE OR DEVICE OR TO PRACTICE ANY METHOD OR PROCESS, EXCEPT BY WRITTEN PERMISSION FROM OR WRITTEN AGREEMENT WITH MARCH MFG. INC.

|      |          |          |                     |
|------|----------|----------|---------------------|
| G    | JBT      | 08/14/07 | Redrawn in autocad. |
| REV. | INITIALS | DATE     | E.C.O. CHANGE       |

CUSTOMER  
MATERIAL

PART NAME **Dimensional Assy MDX-1/2 230V 50/60HZ (w/Fasco Mtr)**

PART NO. **0135-0163-0100 d1** REV. **G**